

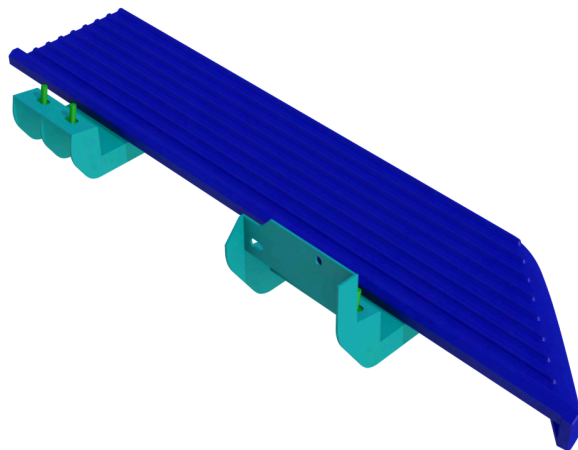


Installation Instructions

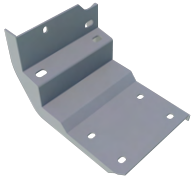


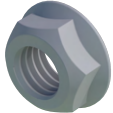



Part No. 2562+B

Vehicle: Ford Transit 2015-2025

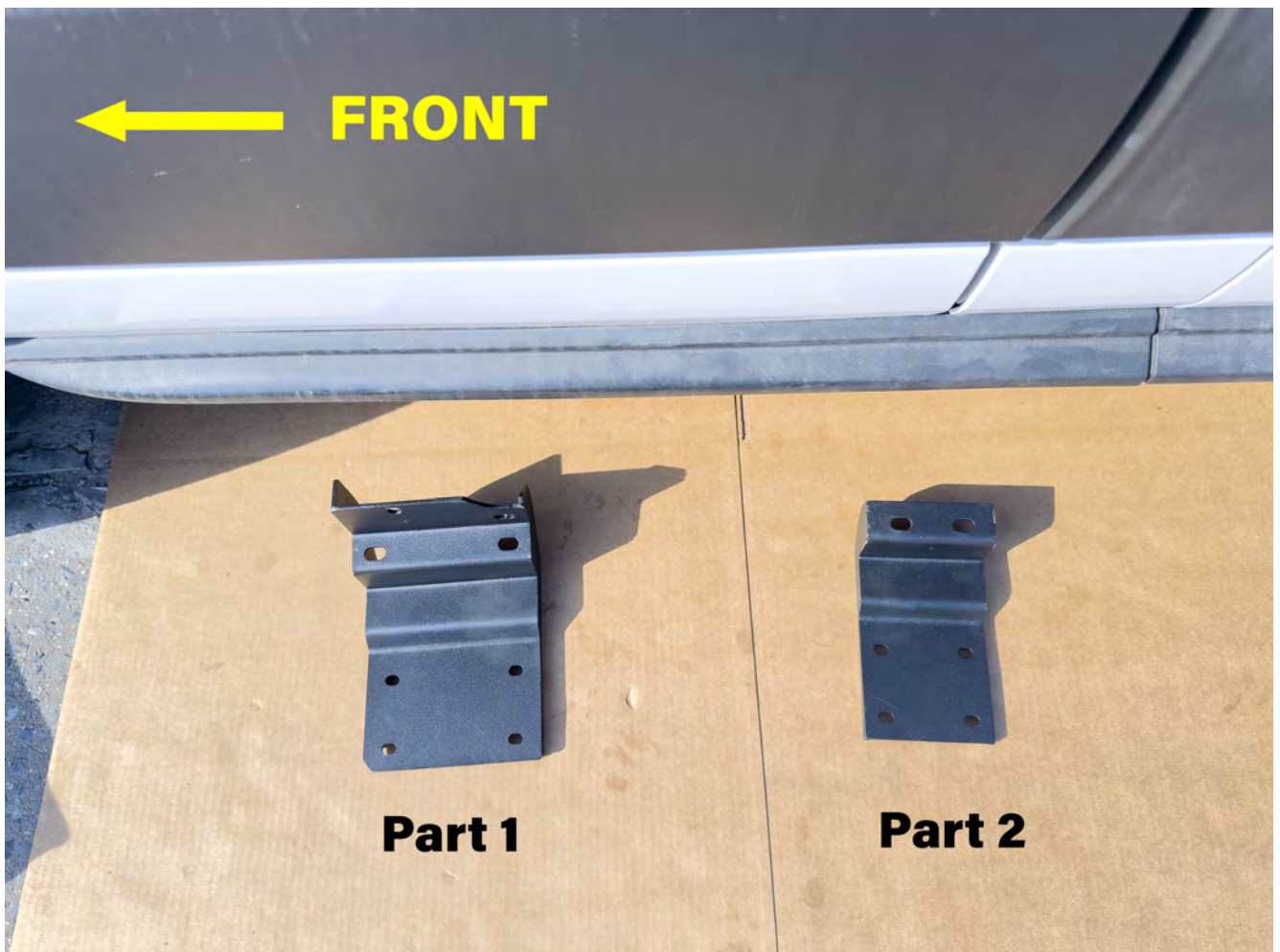
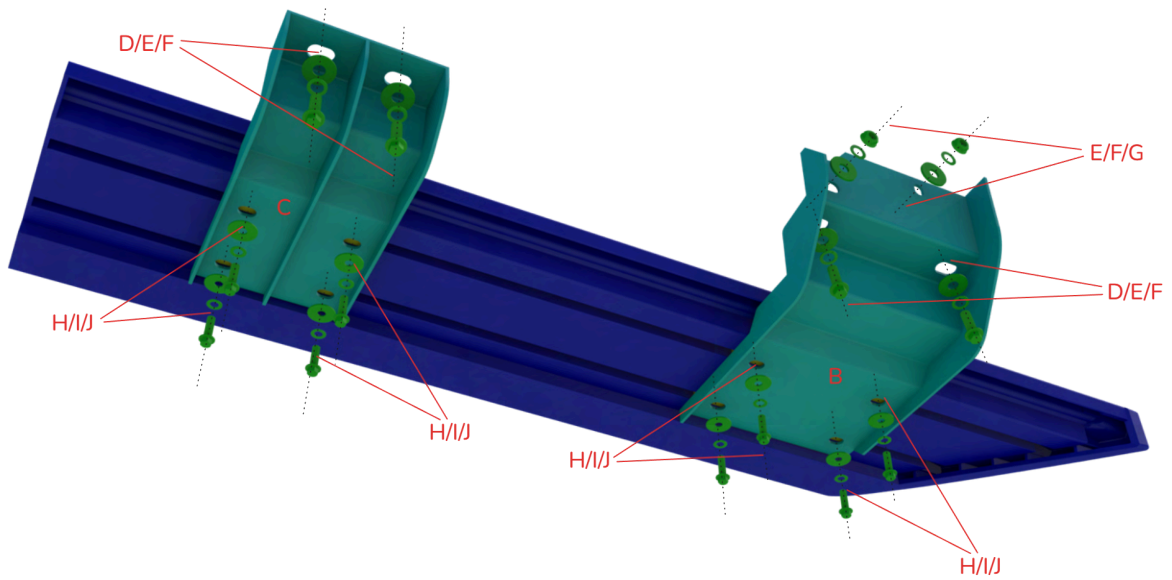
Product: OEM Running Board Driver Side



THANK YOU FOR CHOOSING OUR PRODUCT

Names	Pictures	Names	
(A) OEM Running Board		(B) Bracket (Part 1)	
(C) Bracket (Part 2)		(D) M8x1.25 Flange Hex-Bolt (4 Pieces)	
(E) M8 Washer (6 Pieces)		(F) M8 Lock Washer (6 Pieces)	
(G) M8x1.25 Hex-Bolt Nut (2 Pieces)		(H) M6x1.0 Flange Hex-Bolt (8 Pieces)	
(I) M6 Washer (8 Pieces)		(J) M6 Lock Washer (8 Pieces)	

Amount brackets (B) and (C) onto T-Slot inside of OEM Running Board (A) with M6x1.0 Flange Hex-Bolt (H/I/J), use M8x1.25 Flange Hex-Bolt (D/E/F and E/F/G) fixed brackets onto the vertical.





Use a high-torque wrench (or an impact wrench) to drive the provided self-tapping bolts into the chassis holes to cut the threads, then remove the bolts.

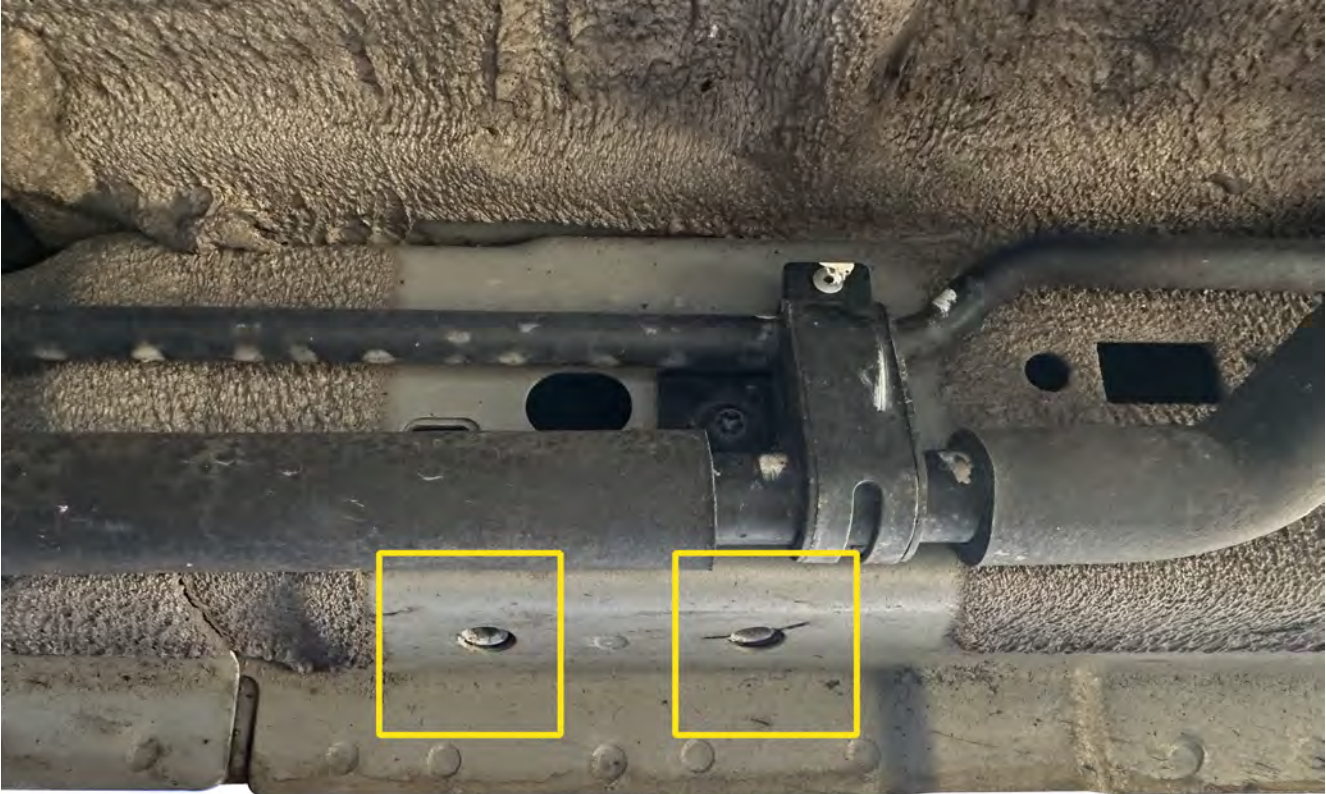


Bracket (Part 1) Screw Installation Locations

Bracket (Part 1)



Bracket (Part 2)



Bracket (Part 2) Screw Installation Locations

