

INSTALLATION INSTRUCTION

ITEM NO: NX350220101ZJ

DESCRIPTION: BRACKET FOR F1 RUNNING BOARD FOR 2022 LEXUS NX350

Attention:

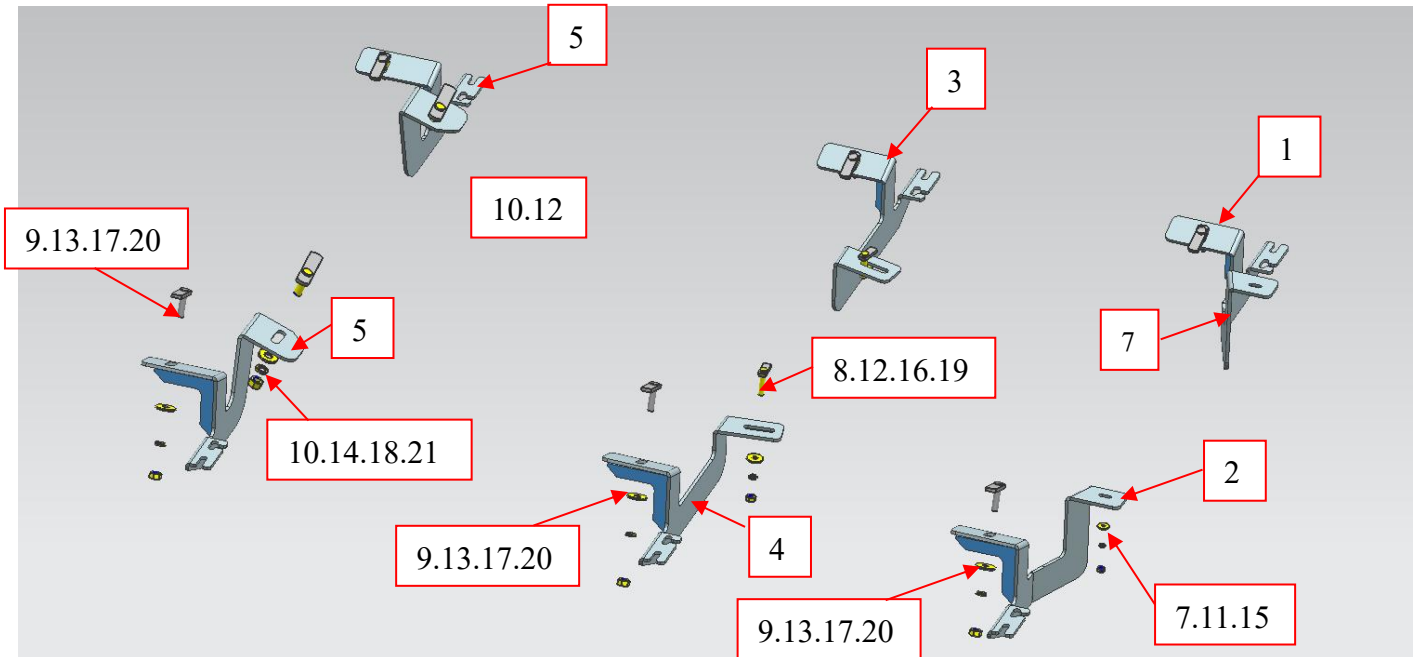
- Please read this installation menu before installing this part. Protect your car properly in case there is any scratch might happen.
- You may need to periodically to re-tighten all hardware for safety use after installation.
- Installation pictures are only for your reference, there might be some differences between pictures and real parts but no affection for your fitting.

Part List

NO.	NAME	QTY	REMARK	NO.	NAME	QTY	REMARK
1	Front Bracket(Left)	1		12	Spring Washer	2	φ8
2	Front Bracket(Right)	1		13	Spring Washer	6	φ10
3	Middle Bracket(Left)	1		14	Spring Washer	2	φ12
4	Middle Bracket(Right)	1		15	Hexagon Nut	2	M6
5	Rear Bracket(Left)	1		16	Hexagon Nut	2	M8
6	Rear Bracket(Right)	1		17	Hexagon Nut	6	M10
7	Large Washer	2	φ6*18*1.5	18	Hexagon Nut	2	M12
8	Large Washer	2	φ8*25*2.0	19	T-Bolt 2-1	2	M8
9	Large Washer	6	φ10*30*2.5	20	T-Bolt 4-1	6	M10
10	Large Washer	2	φ12*30*3.0	21	T-Bolt 13-1	2	M12
11	Spring Washer	2	φ6				

Note: The installation methods on the left and right sides are the same.

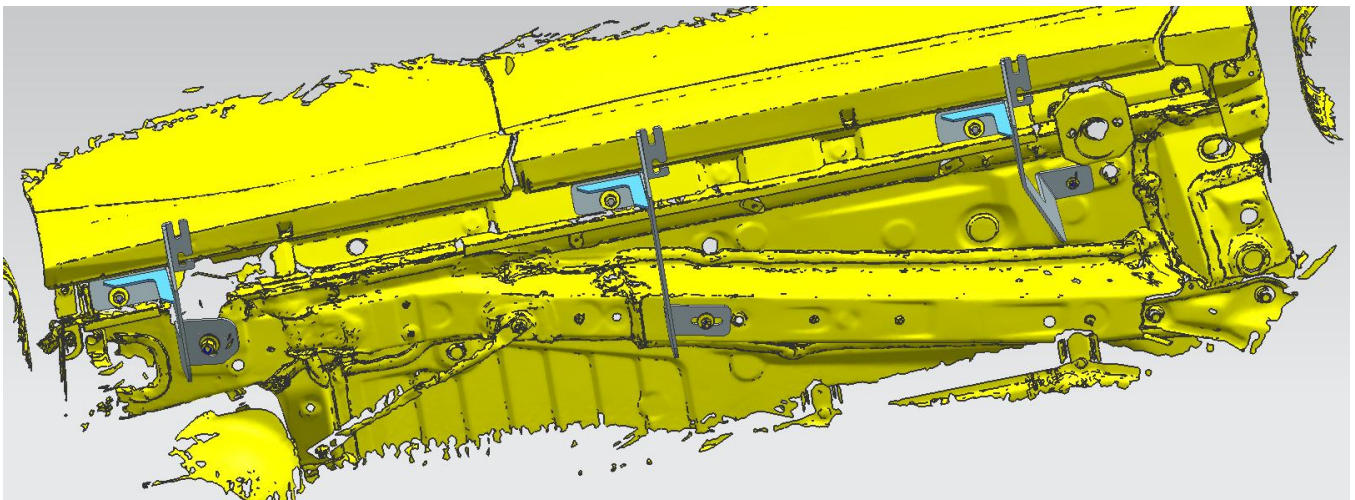
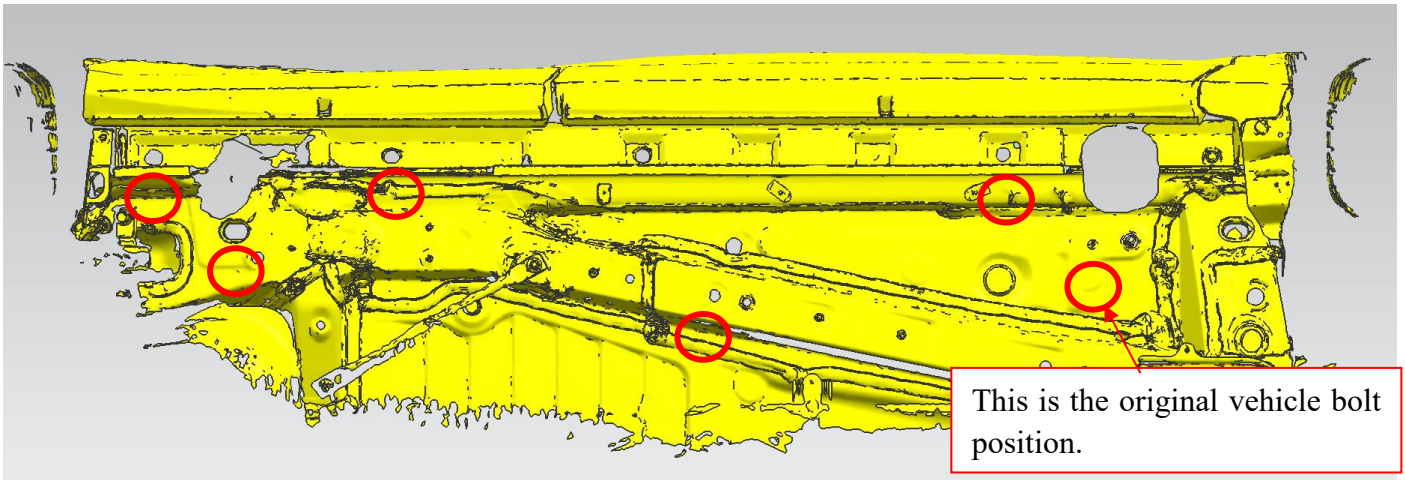
INSTALLATION PICTURE



INSTALLATION STEP

Step 1: Refer to the Part List to check if all the hardware are included.

Step 2: Install brackets (left/right) according to the bottom hole position of the vehicle,as shown the following picture.



Step 3: Install running board on the brackets and then adjust brackets to the proper positions.

Step 4: Check if all hard ware are installed and fasten all.

Step 5: Finish the installation as shown Picture 2.



Disclaimer: Caused due to improper installation initiates or some related problem and losses, are beyond our company's quality assurance.