

# 2024 TACOMA Roof Rack Installation Instructions

---



## IMPORTANT

---

Thank you for purchasing this product. Please read through the entire documentation before proceeding with the installation. If you are not confident in your installation skills, please seek professional help for the installation. Inspect your package immediately upon arrival to ensure that all items listed are included and to check for damage during shipping. If anything is missing or damaged, or if you need technical assistance with any aspect of this installation, please contact customer service as soon as possible!

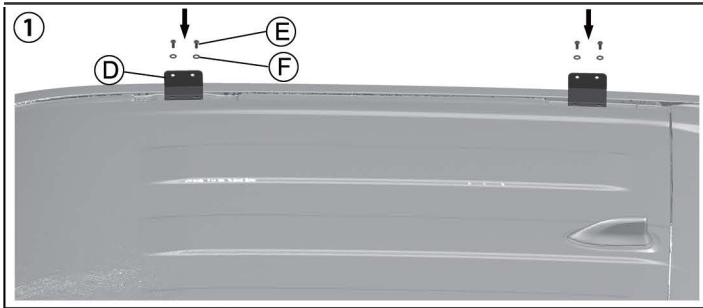
# ACCESSORY LIST

<b>Serial No.</b>	<b>Description</b>	<b>Amount</b>
A	Front side beam	1
B	Back side beam	1
C	Left/right side beam	2
D	Hole bracket	4
E	M6x20 Torx screws	8
F	M6 washer	8
G	M8x20 Torx screws	40
H	M8 washer	40
I	M8x20 Nut	16
J	T30 Wrench	1
K	T45 Wrench	1
L	sealant	1

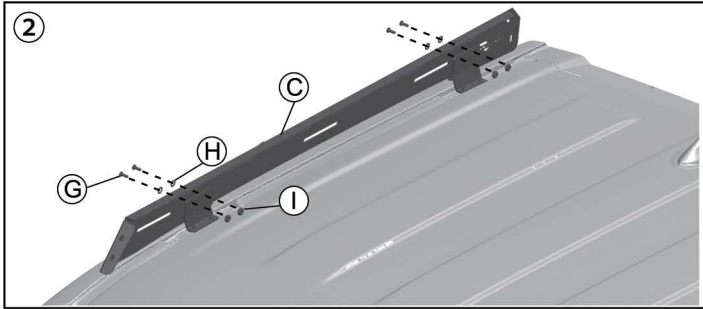
## Weight Capacity:

600 lb dynamic load capacity and 1000 lb static load capacity

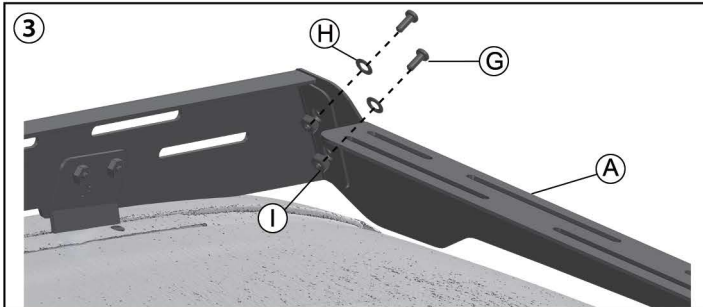
## INSTALLATION STEPS



Place the hole bracket on the roof of the car, adjust the position, and tighten it with washers and screws. (Apply sealant to screws)



Correspond the left and right side beams with the hole brackets, put the washers, thread in the screws, and secure them by locking with the nuts

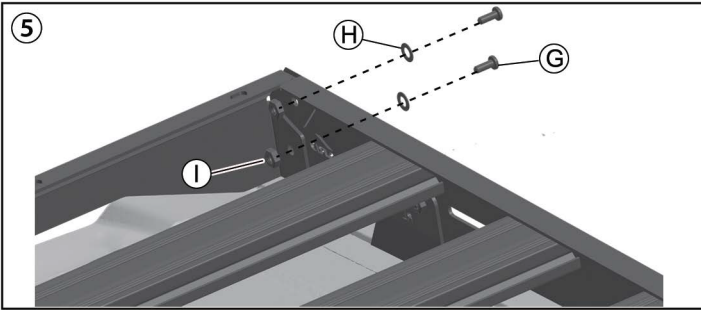


Align the front side beams with the left and right side beams in the holes, put in the washers, pass in the screws, and secure them with the nut locks.



Install the center crossbeam, adjust the distance of the crossbeam, put the washer, and fix it with screw locking.

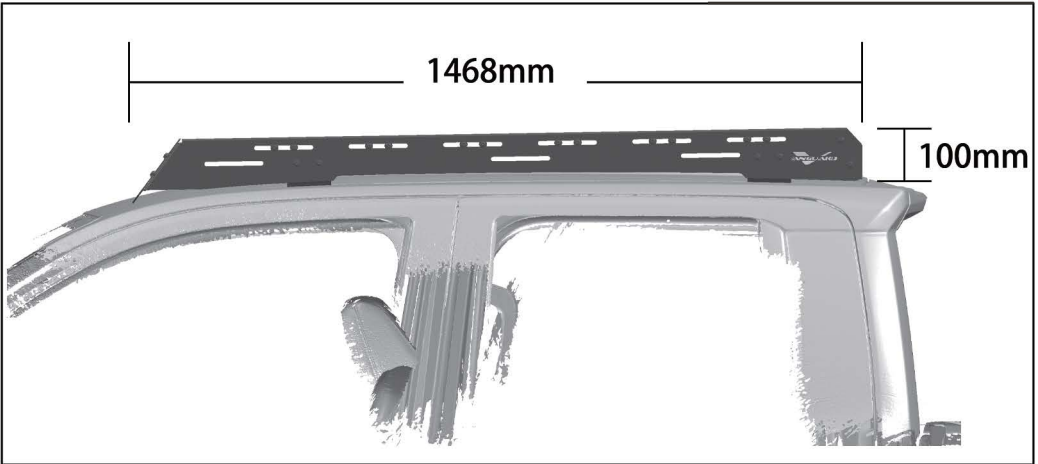
## INSTALLATION STEPS



Align the rear side beams with the left and right side beams in the holes, put in the washers, thread in the screws, and secure them with the nut locks.



The roof rack installation is complete.



## WARNINGS

Neither the seller nor the manufacturer shall be liable for any loss, damage or injury arising directly or indirectly from the use, or uncertainty of use, of these products. Prior to use, the user should determine the suitability of the product for its intended use and assumes all liability and risk associated therewith.

### **Note to dealers and installers:**

Read all instructions before beginning installation. It is your responsibility to ensure that instructions are given to the end user or customer.