

INSTALLATION INSTRUCTION

ITEM NO: NX300200301ZJ-2250B

DESCRIPTION:17-20 NX300 BRACKETS FOR 2.5 INCH FRONT BAR

Attention:

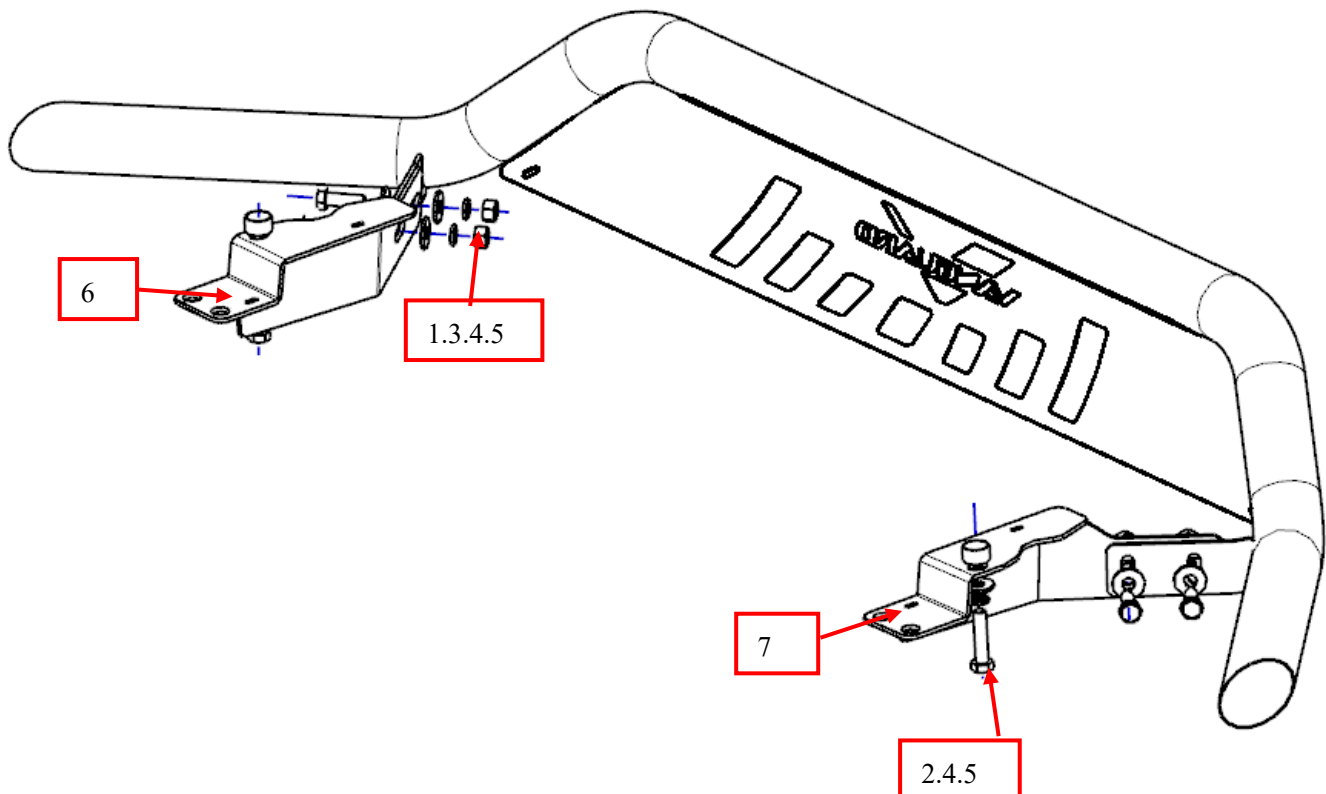
- Please read this installation menu before installing this part; Protect your car properly in case there is any scratch might have.
- You may need to periodically to re-tighten all hardware for safety use after installation.
- Installation pictures are only for your reference, there might be some differences between pictures and real parts but no effect for your fitting.

PART LIST

No.	Name	QTY	Remark	No.	Name	QTY	Remark
1	Hexagon Bolt	4	M12*35	6	Bracket(L)	1	
2	Hexagon Bolt	2	M12*1.25*50	7	Bracket(R)	1	
3	Hexagon Nut	4	M12				
4	Large Washer	10	Φ12*30*3.0				
5	Spring Washer	6	Φ12				

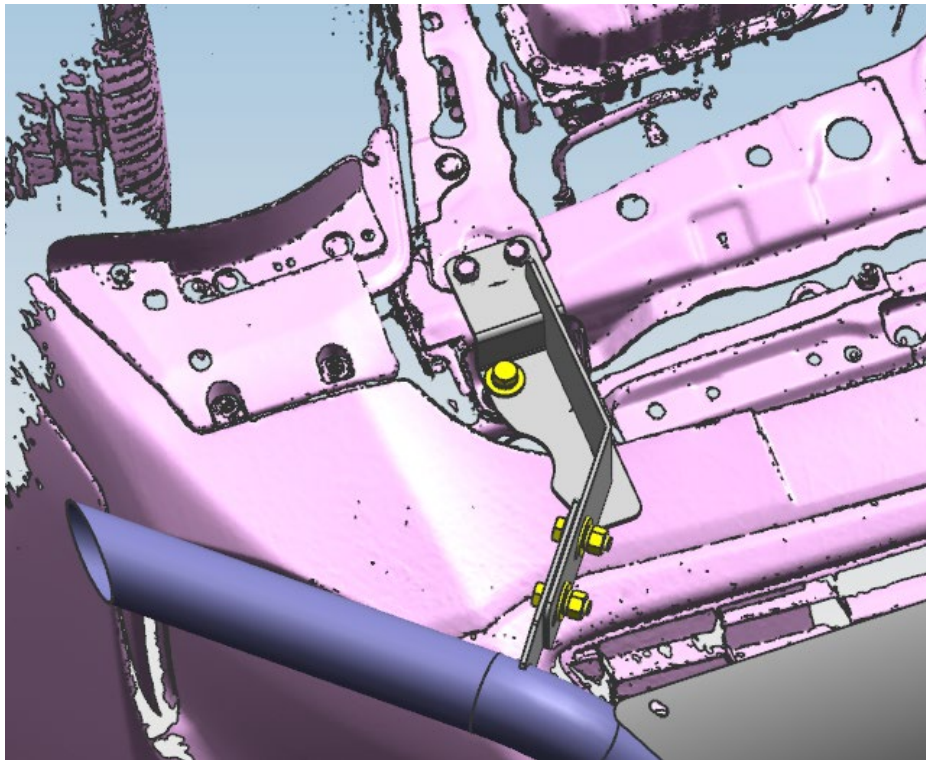
NOTE: TWO BRACKETS FITMENT ARE THE SAME

INSTALLATION PICTURE



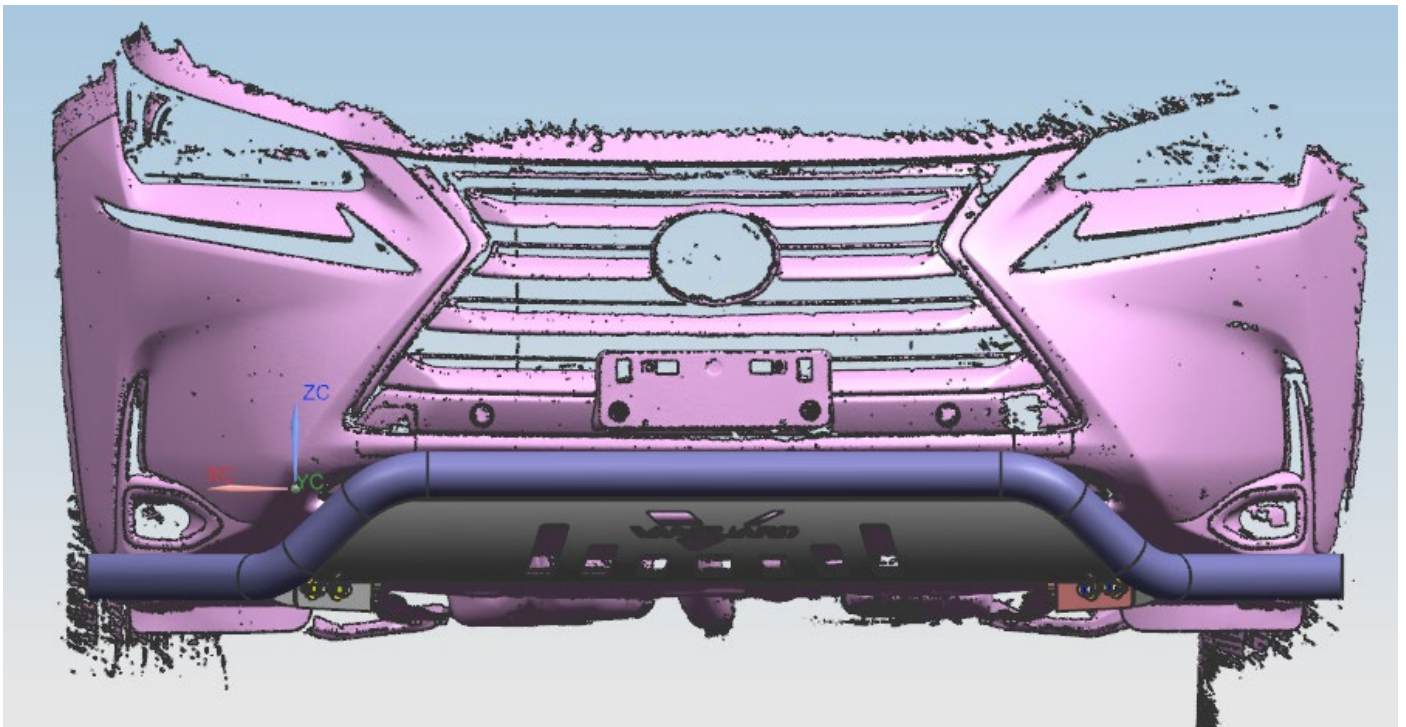
Step 1: Refer to the Part list to check if all the hardware are included.

Step 2: Refer to the following pictures to assemble brackets on the main tube (left/right) .



Step 3: Attach the bracket to the corresponding holes but do not tighten the standard parts yet, after that install the bar body on the bracket and adjust the mounting position of the bracket according to the position of the bar body.

Step 4: Check if all hardware are installed and then fasten all to complete the installation.



Disclaimer: Caused due to improper installation initiates or some related problem and losses, are beyond our company's quality assurance.