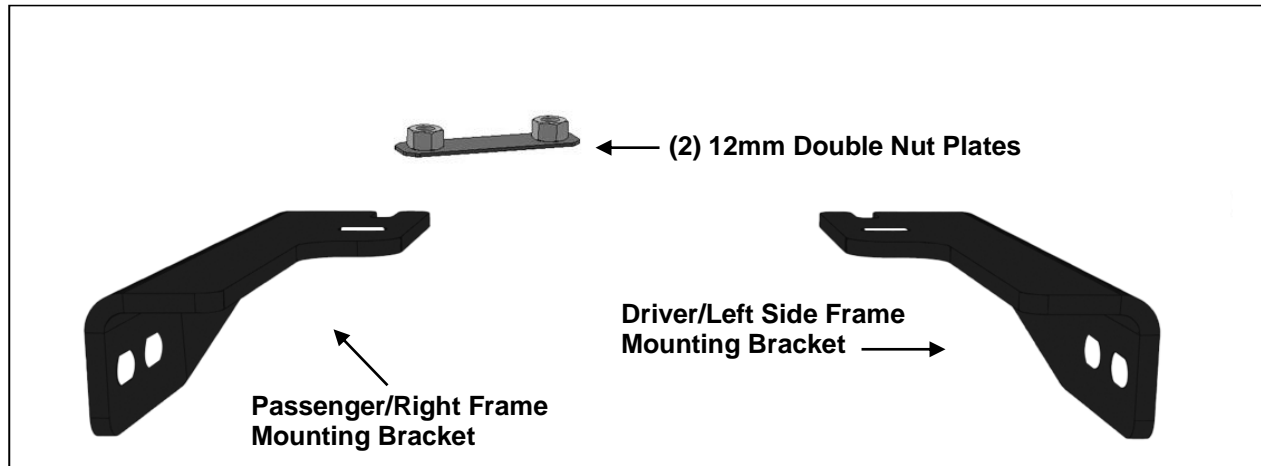




GRILLE GUARD  
2021 F-150  
2429BK

**PARTS LIST:**

1	Grille Guard	4	10-1.5mm x 30mm Hex Bolts
1	Driver/left Frame Bracket	8	10mm x 24mm OD x 2.2mm Flat Washers
1	Passenger/right Frame Bracket	4	10-1.5mm Nylon Locknuts
2	12-1.75mm Double Nut Plates	4	12 x 32mm OD x 3mm Flat Washers
4	12-1.75 x 35mm Hex Bolts	4	12mm Lock Washers



**PROCEDURE:**

**REMOVE CONTENTS FROM BOX. VERIFY ALL PARTS ARE PRESENT. READ INSTRUCTIONS CAREFULLY BEFORE STARTING INSTALLATION. ASSISTANCE IS RECOMMENDED.**

1. Remove both tow hooks and plastic trim from the end of the frame. Select the driver/left side Top Bracket, **(Figure 2)**. **NOTE:** Plastic trim must be cut to clear Bracket to be reinstalled or simply remove.
 

**Models without tow hooks:**

  - a. Insert (1) 12mm Double Nut Plate into the end of the driver/left side of the frame, **(Figures 2 & 3)**. Line up the Nut Plate with the holes in the bottom of the frame, **(Figure 2)**.
  - b. Insert the included (2) 12mm x 35mm Hex Bolts, (2) 12mm Lock Washers and (2) 12mm Flat Washers up through the frame and into the Nut Plate to hold the Nut Plate in the correct position, **(Figures 2 & 5)**. Leave hardware loose at this time. Repeat the previous Steps for the passenger/right side Double Nut Plate installation.
  - c. Remove the plastic covers from the driver and passenger side lower openings in the bottom of the bumper, **(Figure 4)**.
2. Reinstall the bumper assembly.
3. Select the driver/left Frame Mounting Bracket, **(Figure 5)**. Insert the Bracket through the opening in the bumper.
 

Models with tow hooks, insert the Bracket between the tow hook and the frame. Reattach the tow hook over the Bracket with the factory bolts. Leave hardware loose.

**Models without tow hooks**, attach the Bracket to the bottom of the frame and Nut Plate with the (2) 12mm x 35mm Hex Bolts, (2) 12mm Lock Washers and (2) 12mm Flat Washers, **(Figures 5& 6)**. Leave hardware loose at this time.
4. Repeat appropriate previous Step for passenger/right side Frame Bracket installation. Select the driver/left side Top Bracket, **(Figure 7)**.

5. With assistance, place the Grille Guard up to the outside of the Brackets. Attach the Grille Guard to the Frame Brackets with (4) 10mm x 30mm Hex Bolts, (8) 10mm Flat Washers and (4) 10mm Nylon Lock Nuts, **(Figure 8)**. Snug but do not tighten hardware at this time.
6. Line up the driver/left Top Bracket with the hole in the upright on the Grille Guard. Attach the Bracket to the Grille Guard with (1) 8mm x 30mm Hex Bolt, (2) 8mm Flat Washers, (1) 8mm Nylon Lock Nut, **(Figure 8)**. Repeat to attach the passenger side Top Bracket to the Grille Guard.
7. Center the Grille Guard on the vehicle. Once properly adjusted, fully tighten all hardware and reinstall license plate.
8. Do periodic inspections to the installation to make sure that all hardware is secure and tight.

**To protect your investment**, wax this product after installing. Regular waxing is recommended to add a protective layer over the finish. Do not use any type of polish or wax that may contain abrasives that could damage the finish.

**For stainless steel:** Aluminum polish may be used to polish small scratches and scuffs on the finish. Mild soap may be used also to clean the Grille Guard.

**For gloss black finishes:** Mild soap may be used to clean the Grille Guard.

### **Driver Side Installation Pictured**



**(Fig 1) Schematic diagram of the installation bracket**

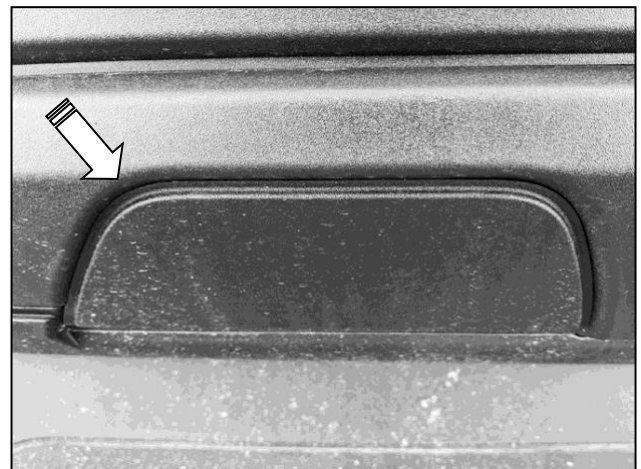
Driver Side Installation Pictured



(Fig 2) Temporarily remove tow hooks if equipped



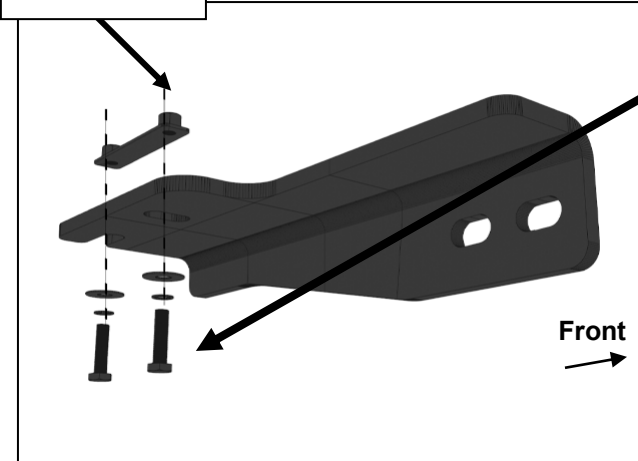
(Fig 3) Models without tow hooks, insert Double Nut Plates into end of frame (see Fig 2)



(Fig 4) On models without tow hooks, release clips and remove plastic covers

Driver Side Installation Pictured

12mm Double  
Nut Plate

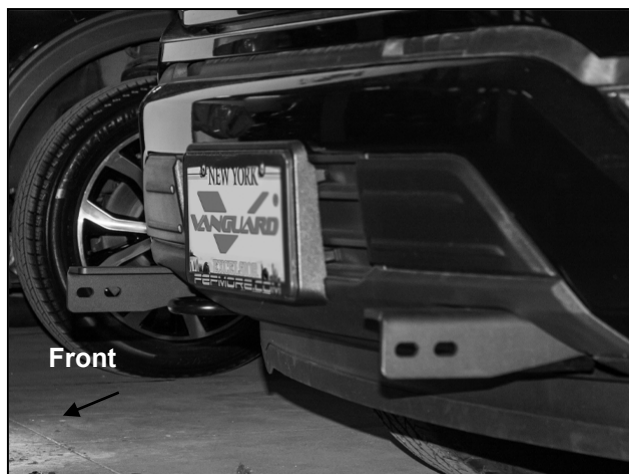


Models without tow hooks, use:  
(2) 12mm x 35mm Hex Bolts  
(2) 12mm Lock Washers  
(2) 12mm Flat Washers

(Fig 5) Attach Frame Bracket to bottom of frame and Nut Plate. Models with tow hooks, attach Frame Bracket between tow hook and frame

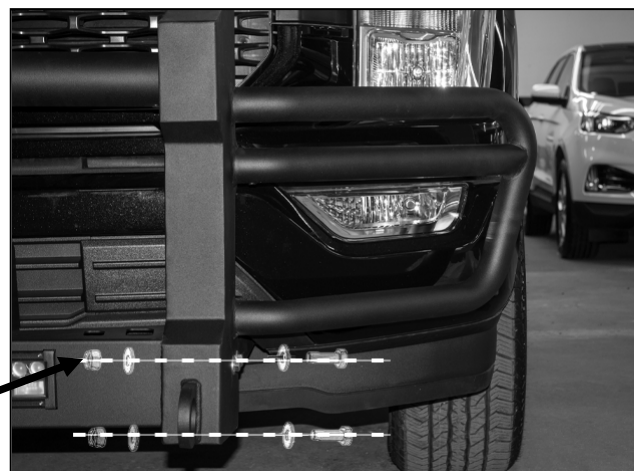


(Fig 6 Driver/left side Frame Bracket installed without tow hook



(Fig 7) Brackets installed

(2) 10mm x 30mm Hex Bolts  
(4) 10mm Flat Washers  
(2) 10mm Nylon Lock Nuts



(Fig 8) Attach Grille Guard to outside of Brackets