

INSTALLATION INSTRUCTION

ITEM NO.: 1262B

DESCRIPTION: Front guard W/ skid plate for RX-200T

Attention:

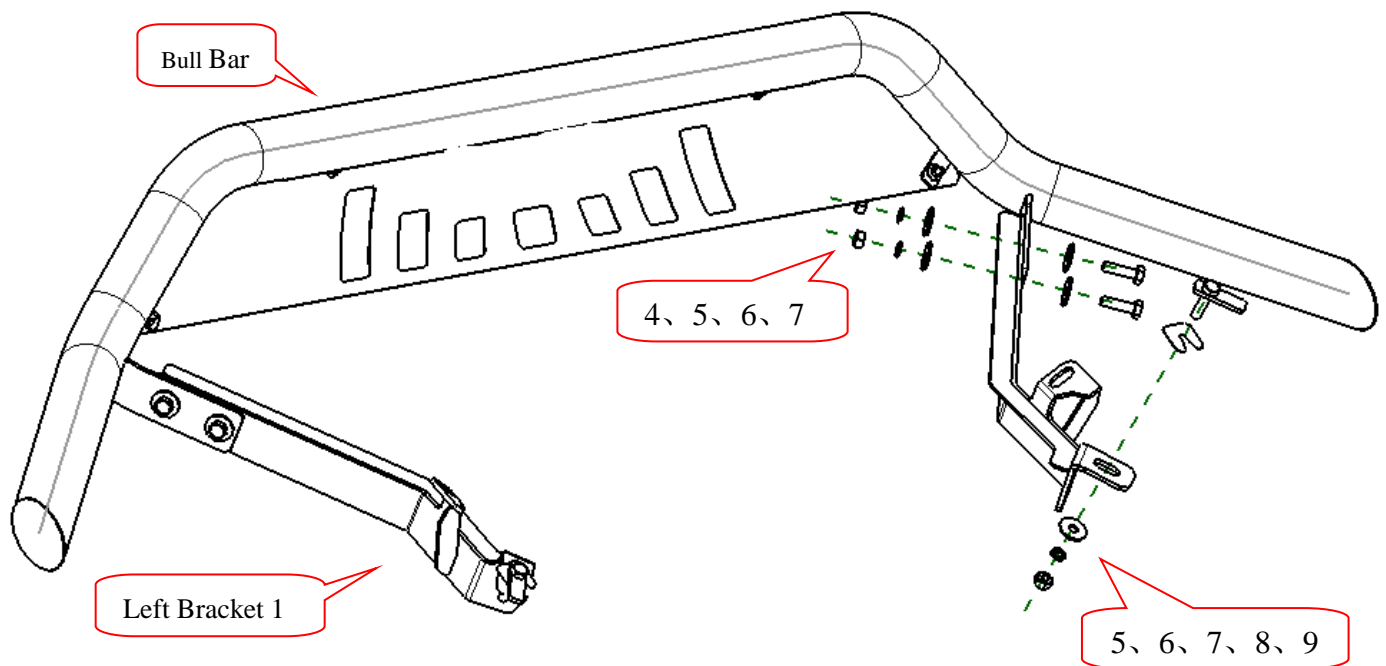
- Please read this installation menu before installing this part. Protect your car properly in case there is any scratch might have.
- You may need to periodically to re-tighten all hardware for safety use after installation.
- Installation pictures are only for your reference, there might be some differences between pictures and real parts but no affect for your fitting.

PART LIST

NO.	NAME	QTY	REMARK	NO.	NAME	QTY	REMARK
1	Bull Bar	1		6	Large Washer	10	$\phi 10 \times 30 \times 2.5$
2	Left Bracket 1	1		7	Hexagon Nut	6	M10
3	Right Bracket 1	1		8	Plastic Fixture	2	$\Phi 10$
4	Hexagon Bolt	4	M10x35	9	T Bolt	2	
5	Spring Washer	6	$\Phi 10$	10			

Note: It is the same way to install both sides.

INSTALLATION PICTURE



Disclaimer: Caused due to improper installation initiates some related problem and losses, are beyond our company's quality assurance.