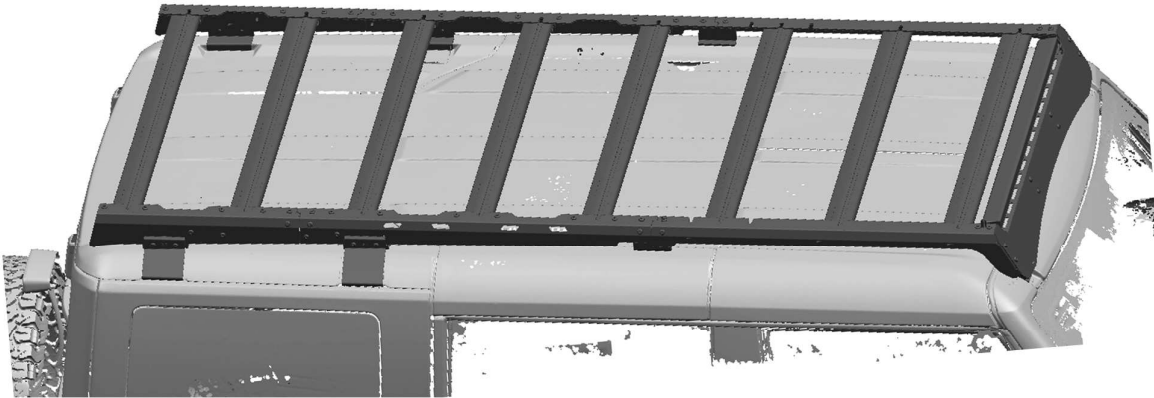




INSTALLATION MANUAL

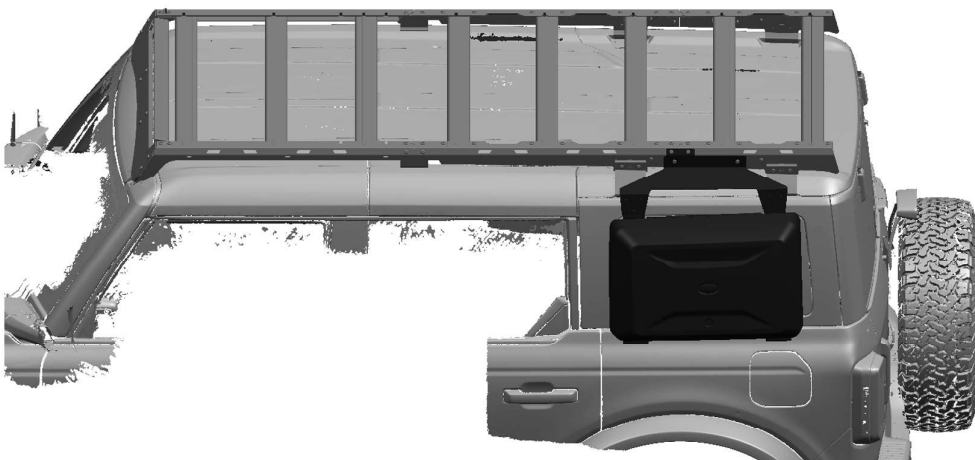
VANGUARD ROOF PLATFORM FOR BRONCO 2020+



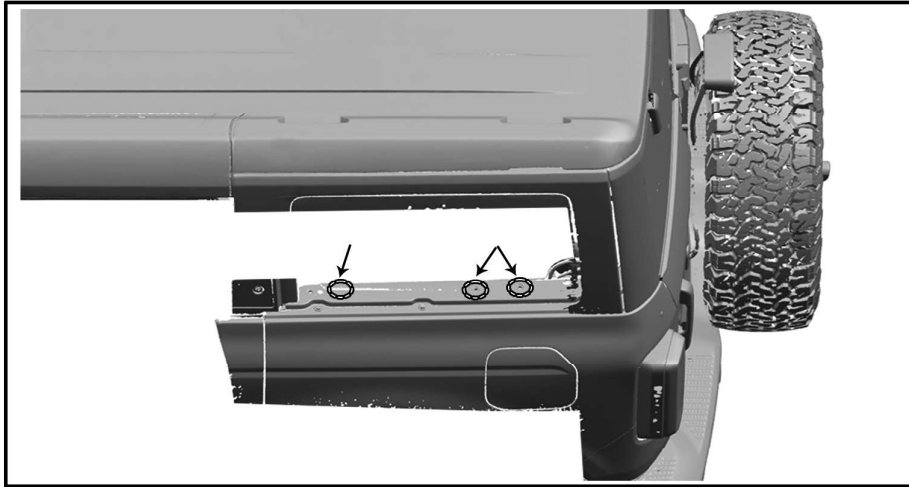
VANGUARD SIDE LADDER FOR BRONCO 2020+



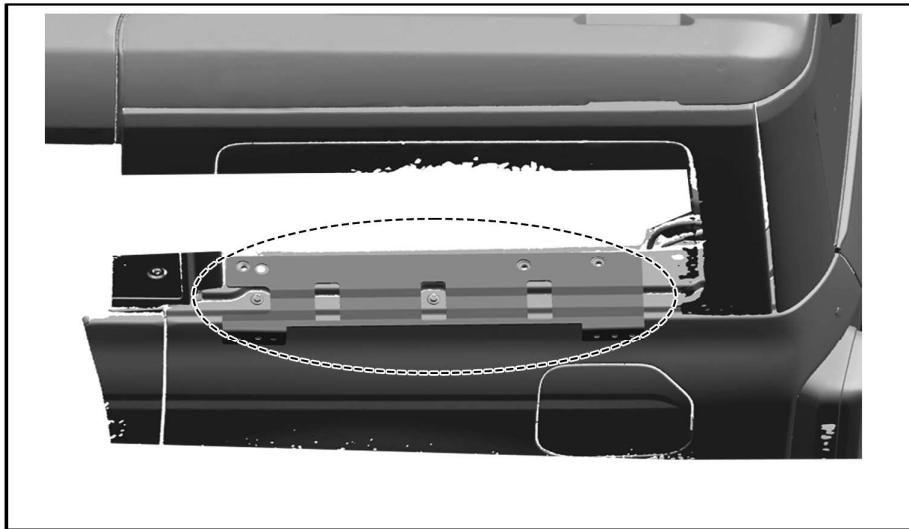
VANGUARD SIDE STORAGE BAG FOR BRONCO 2020+



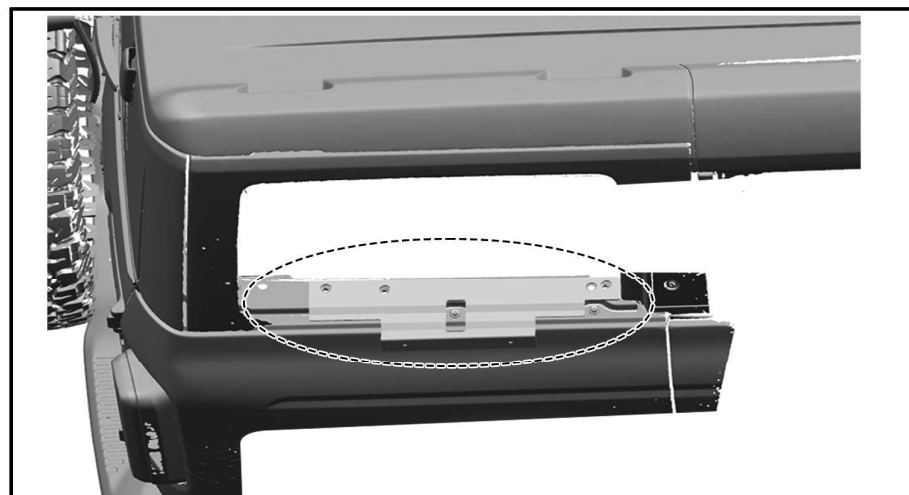
- 1 According to the number on the bracket, connect the three sections of bracket as a whole, distinguish left from right, and install the whole bracket on the roof.



- 2 As shown in the figure, install the left iron bracket to fix the left suspension storage box. Note: If it is not necessary to install the side storage box, skip this step.

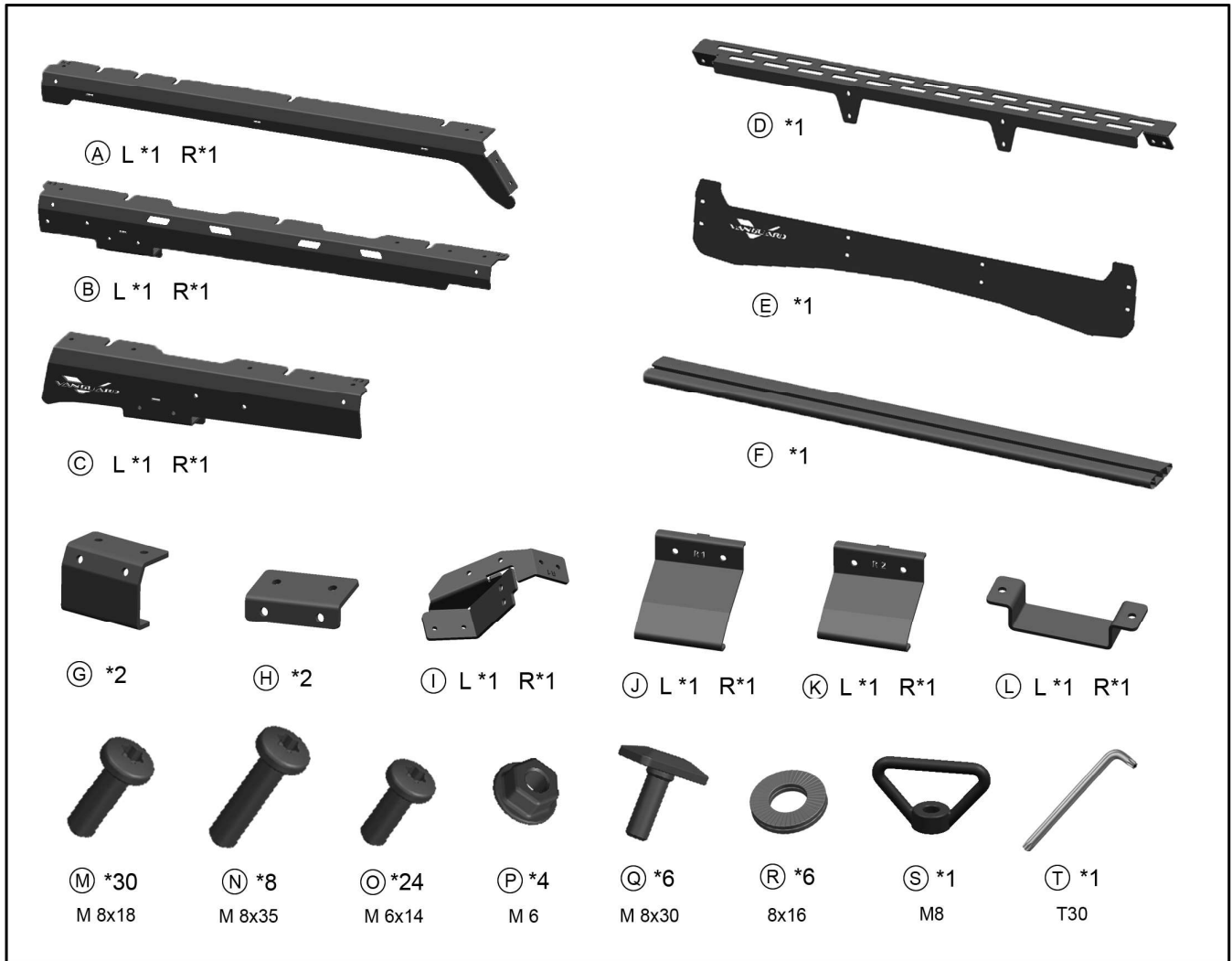


- 3 As shown in the figure, install the right iron bracket to fix the right suspension roof ladder. Note: If it is not necessary to install the side roof ladder, skip this step.



VANGUARD ROOF PLATFORM FOR BRONCO 2020+

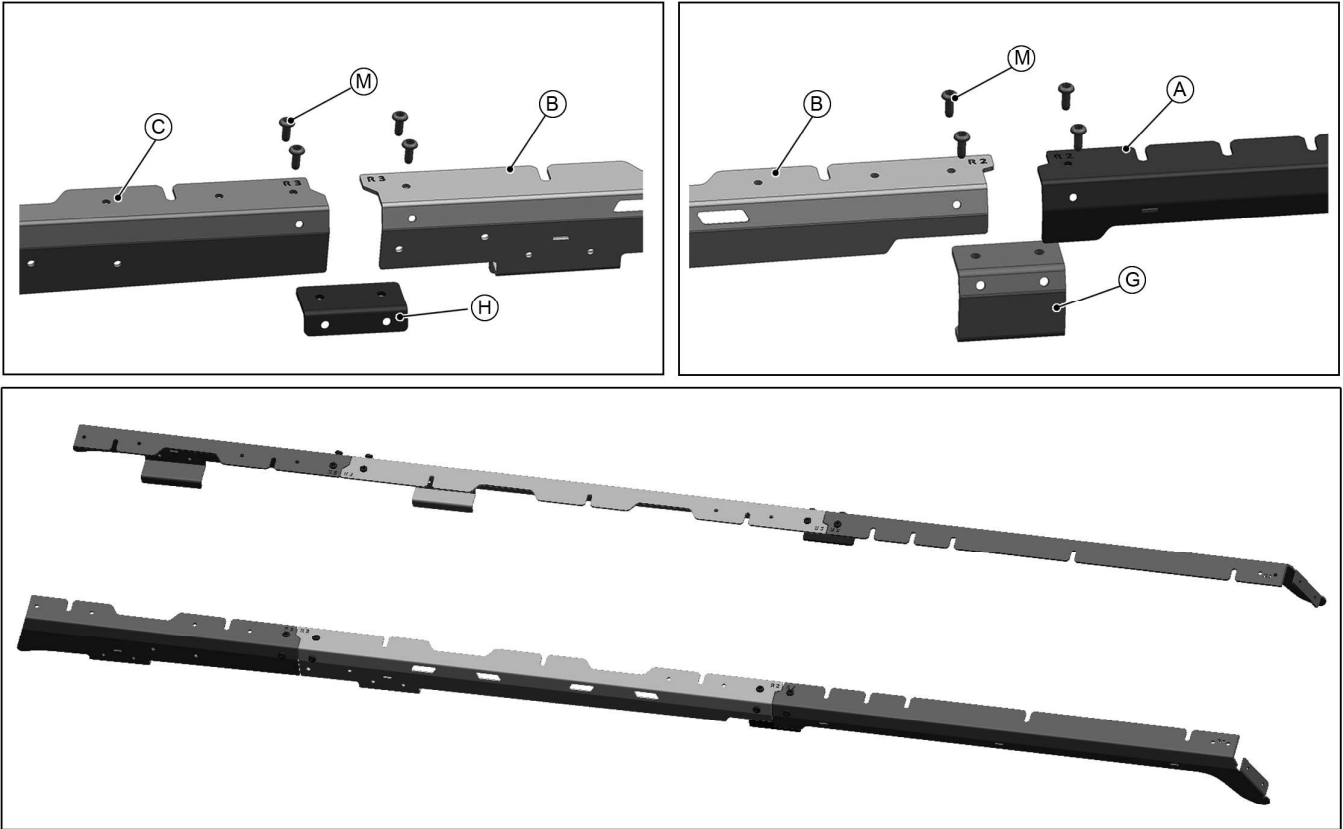
PARTS LIST



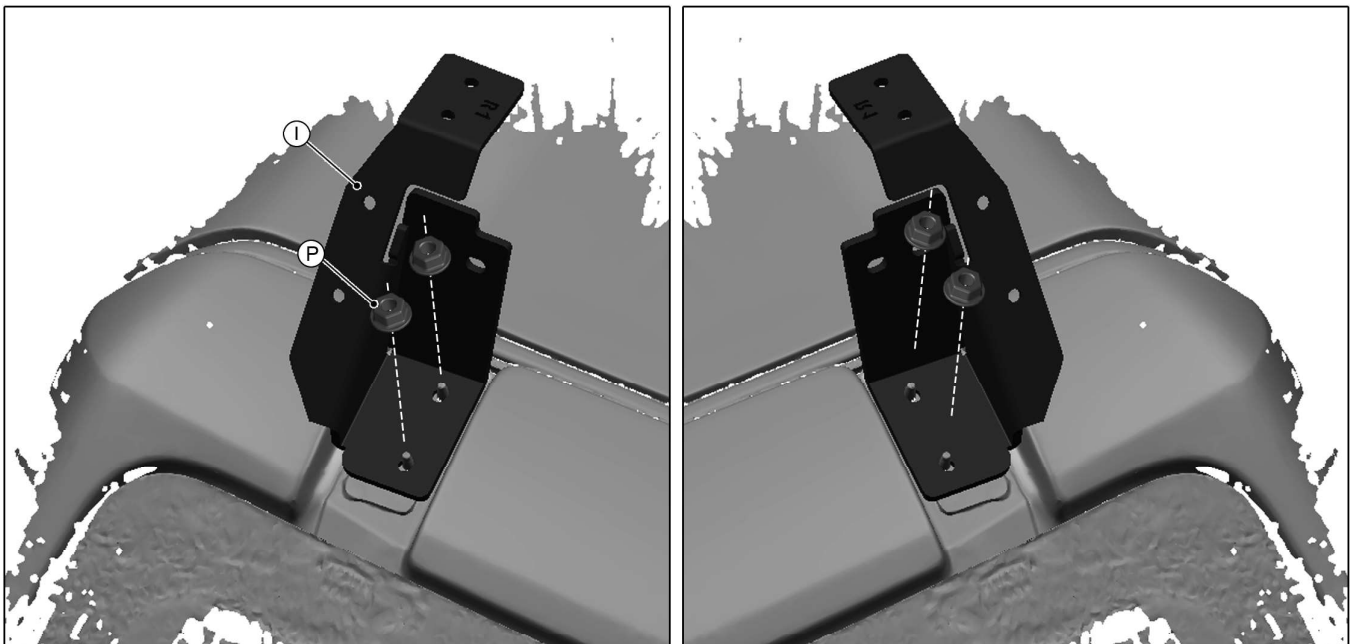
ATTEND:

- Incorrect installation of accessories may cause danger. Please read the instructions carefully before installation, Always follow the instructions.
- The maximum load that can be placed on the roof luggage frame is 175 kg.
- The vehicle speed shall not exceed 130 km/h when the roof luggage frame is installed.
- If the roof luggage frame is to be installed, the vehicle must be equipped with a roof rail.
- Do not tie or place heavy objects on the front of the roof rack.

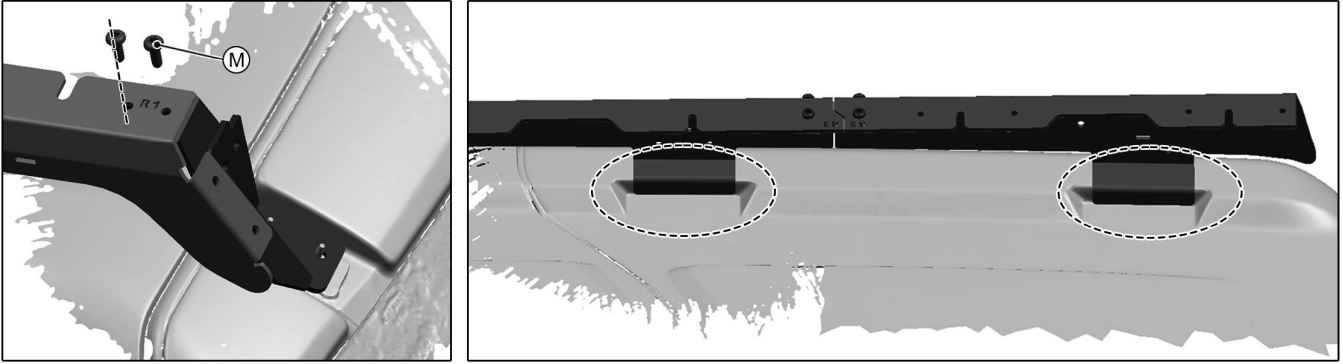
- 1 According to the number on the bracket, connect the three sections of bracket as a whole, distinguish left from right, and install the whole bracket on the roof.



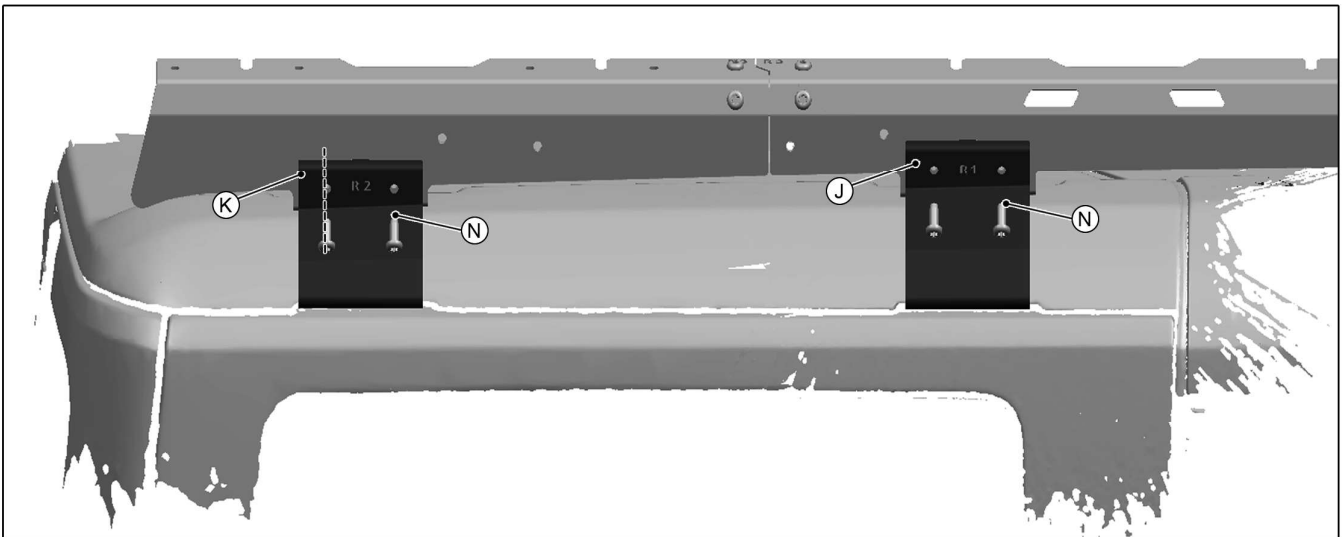
- 2 Install the front bracket, distinguish left and right, as shown in the figure.



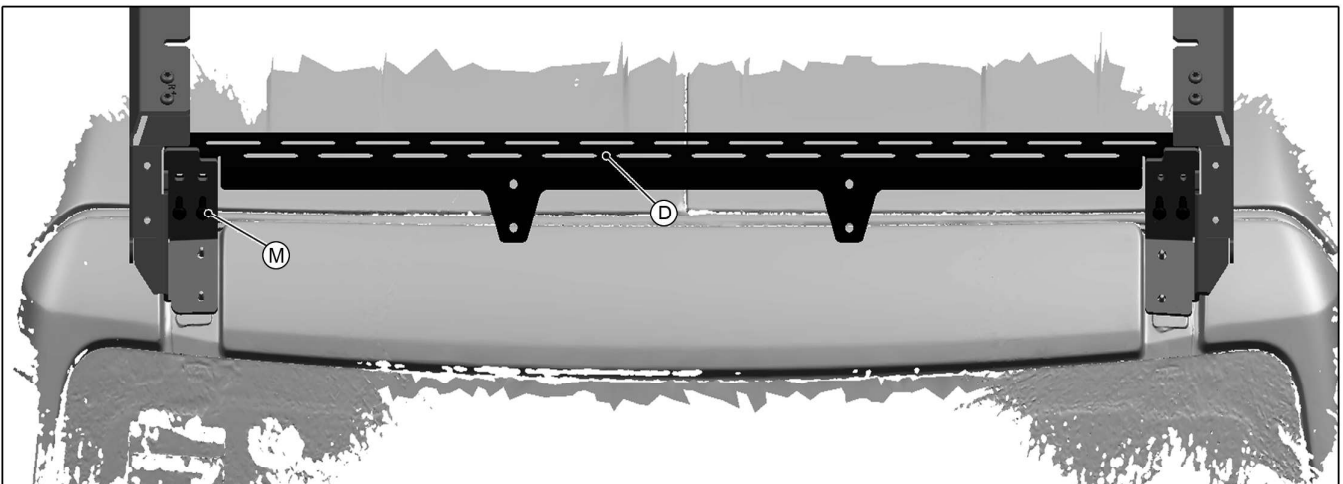
3 Align the hole and lock 2 screws.



4 Install the iron clips on both sides, and distinguish the directions.

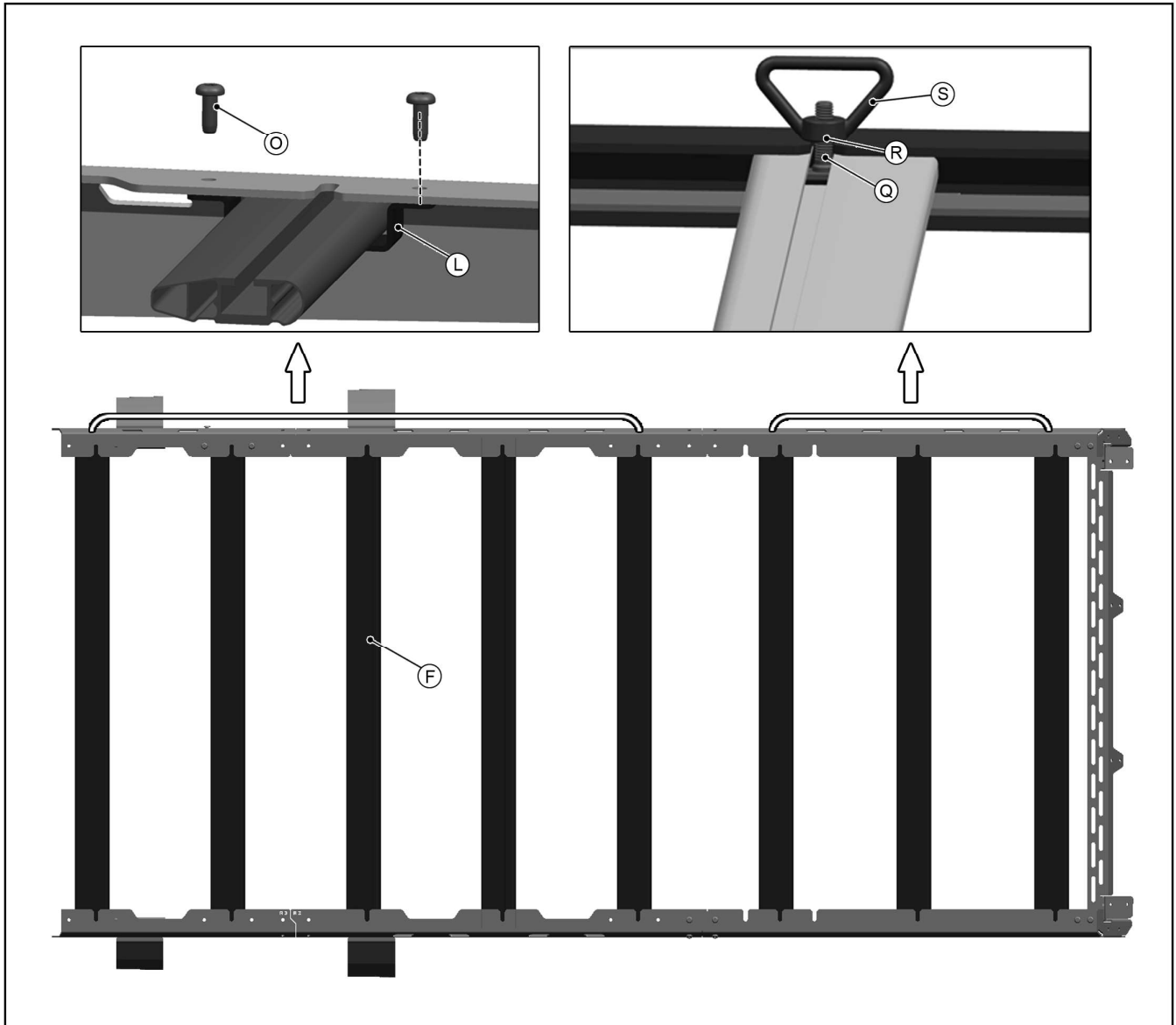


5 Install the spotlight bracket and lock 4 screws.



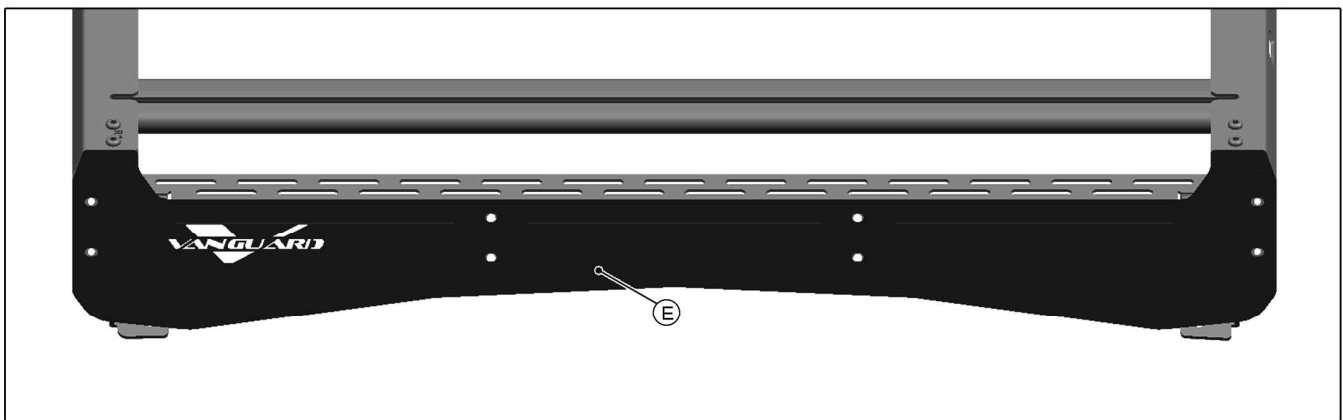
6

Install the crossbar. The three crossbars at the front side can slide. Align the notch with T-shaped screws and triangular eye nuts to fix the crossbar. The five crossbars at the rear side are fixed with U-shaped clamp brackets.



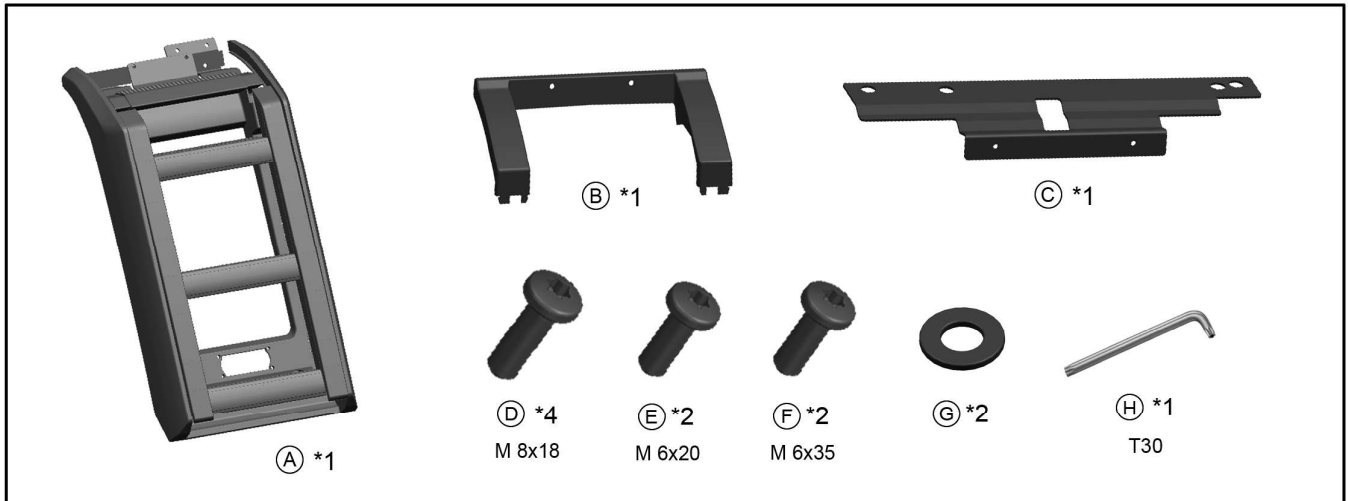
7

Install front spoiler.



VANGUARD SIDE LADDER FOR BRONCO 2020+

PARTS LIST



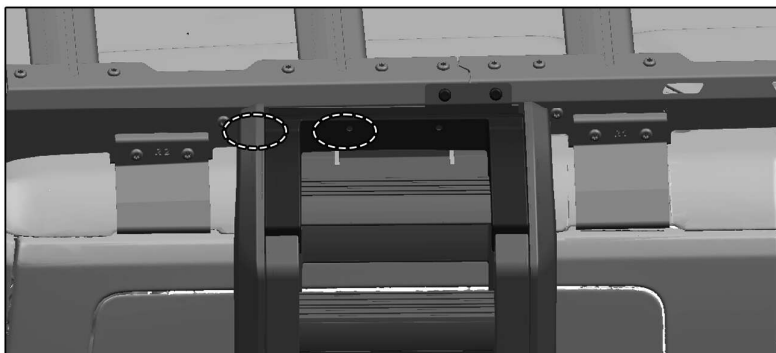
1

As shown in the figure, install the roof ladder, lock 4 screws on the upper side and 2 screws on the lower side.



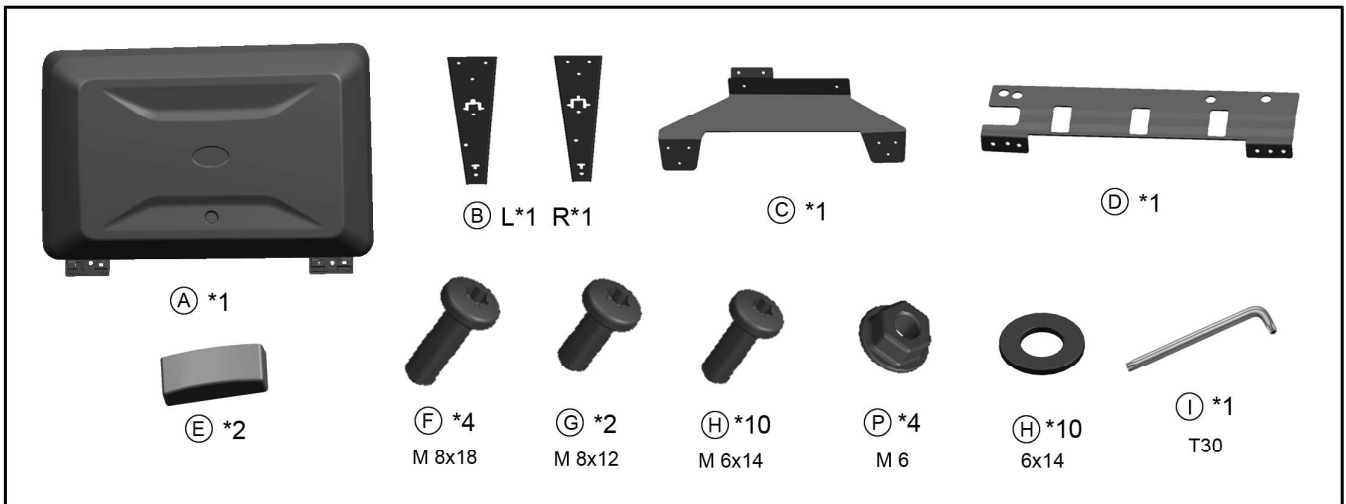
2

Install the plastic cover on the upper side of the roof ladder.



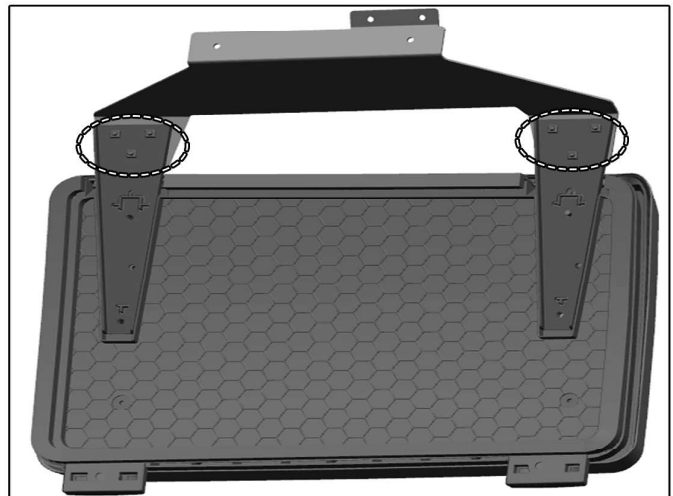
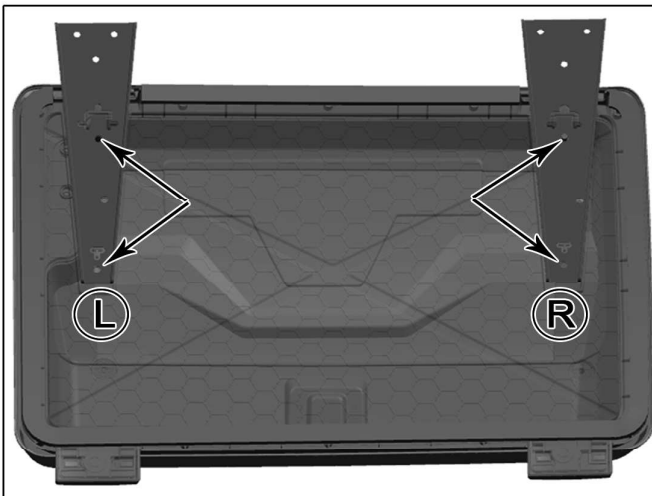
VANGUARD SIDE STORAGE BAG FOR BRONCO 2020+

PARTS LIST



1

1: To install the storage box, install the roof blade platform and the lower iron bracket.
2: Assemble the upper iron bracket and lock 6 screws.



2

1: As shown in the figure, install the storage box, lock 4 screws on the upper side and 2 screws on the lower side.
2: Install 2 plastic covers under the storage box.

