

INSTALLATION INSTRUCTION

Attention:

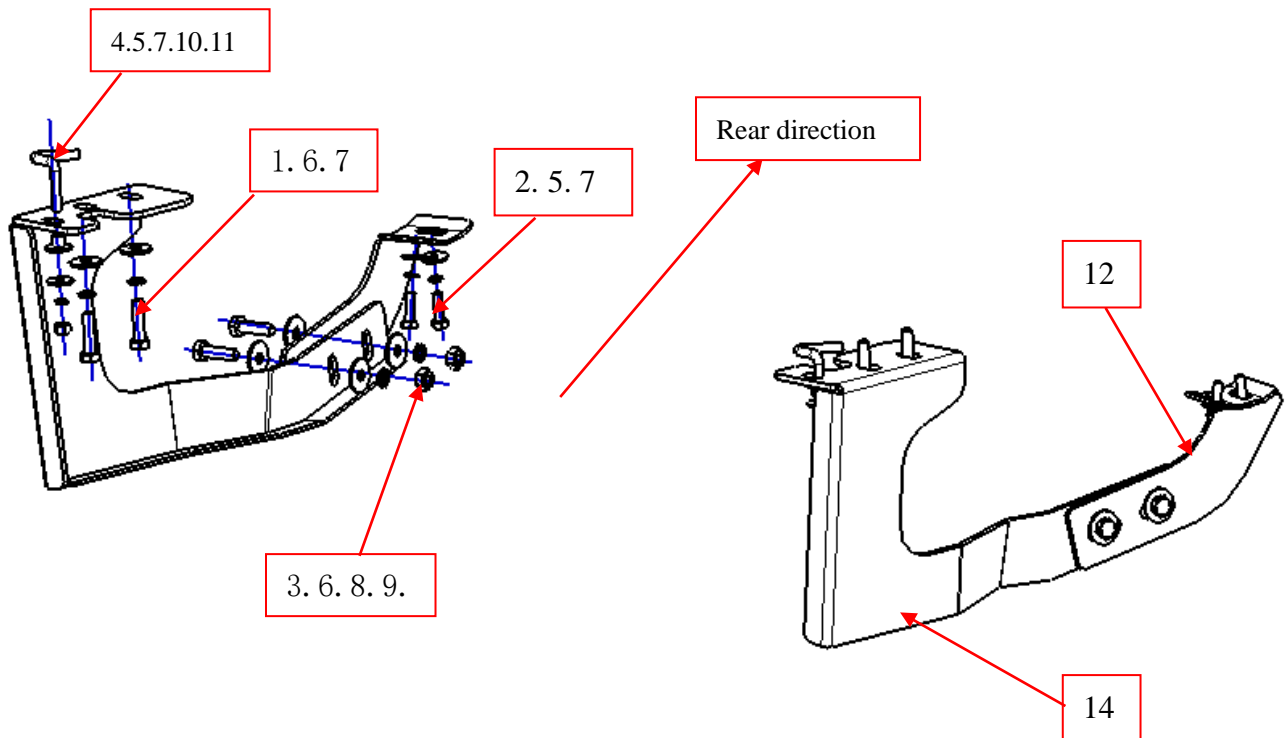
- Please read this installation menu before installing this part. Protect your car properly in case there is any scratch might happen.
- You may need to periodically to re-tighten all hardware for safety use after installation.
- Installation pictures are only for your reference, there might be some differences between pictures and real parts but no effect for your fitting.

PART LIST

NO.	NAME	QTY	REMARK	NO.	NAME	QTY	REMARK
1	Hex Head Bolts	4	M10X1.25X35LB	8	Spring Washer	8	Φ 10LB
2	Hex Head Bolts	4	M8X25LB	9	Hexagon Nut	4	M10LB
3	Hex Head Bolts	4	M10X35LB	10	Hexagon Nut	2	M8LB
4	Special Bolts	2	M08X35	11	Special Sleeve	2	
5	Large Washer	6	Φ 8X25X2.0LB	12	Left Bracket	1	
6	Large Washer	12	Φ 10x30x2.5LB	13	Right Bracket	1	
7	Spring Washer	6	Φ 8LB	14	Bracket	1	
				15	Bracket	1	

The installation is the same on the left and right sides

INSTALLATION PICTURES



Disclaimer: Caused due to improper installation initiates or some related problem and losses, are beyond our company's quality assurance.