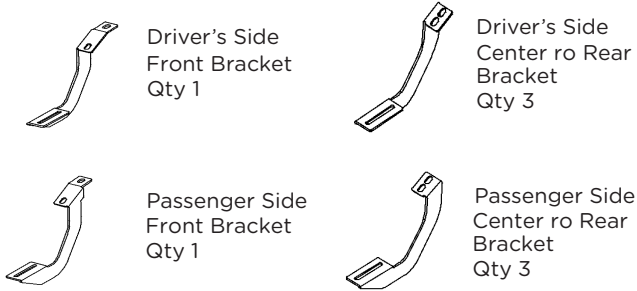


# 2372B

## 22+ Toyota Tundra

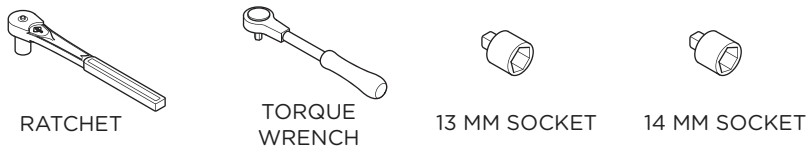
### Components:



### Hardware:



### Tools Required:



### Torque Specifications:

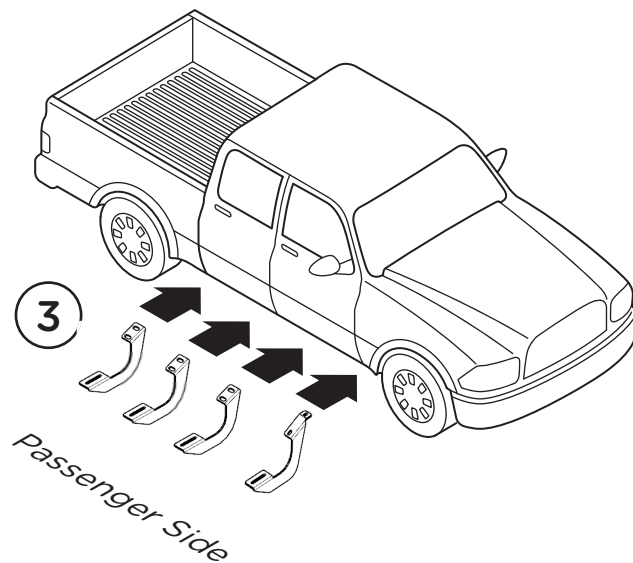
For Rocker Panel Mount Installations  
M8 through M12 bolts and nuts are set to 15-20 ft lbs.

**Note: When installing the brackets and bars, all hardware must be left loose until all the items are attached.**

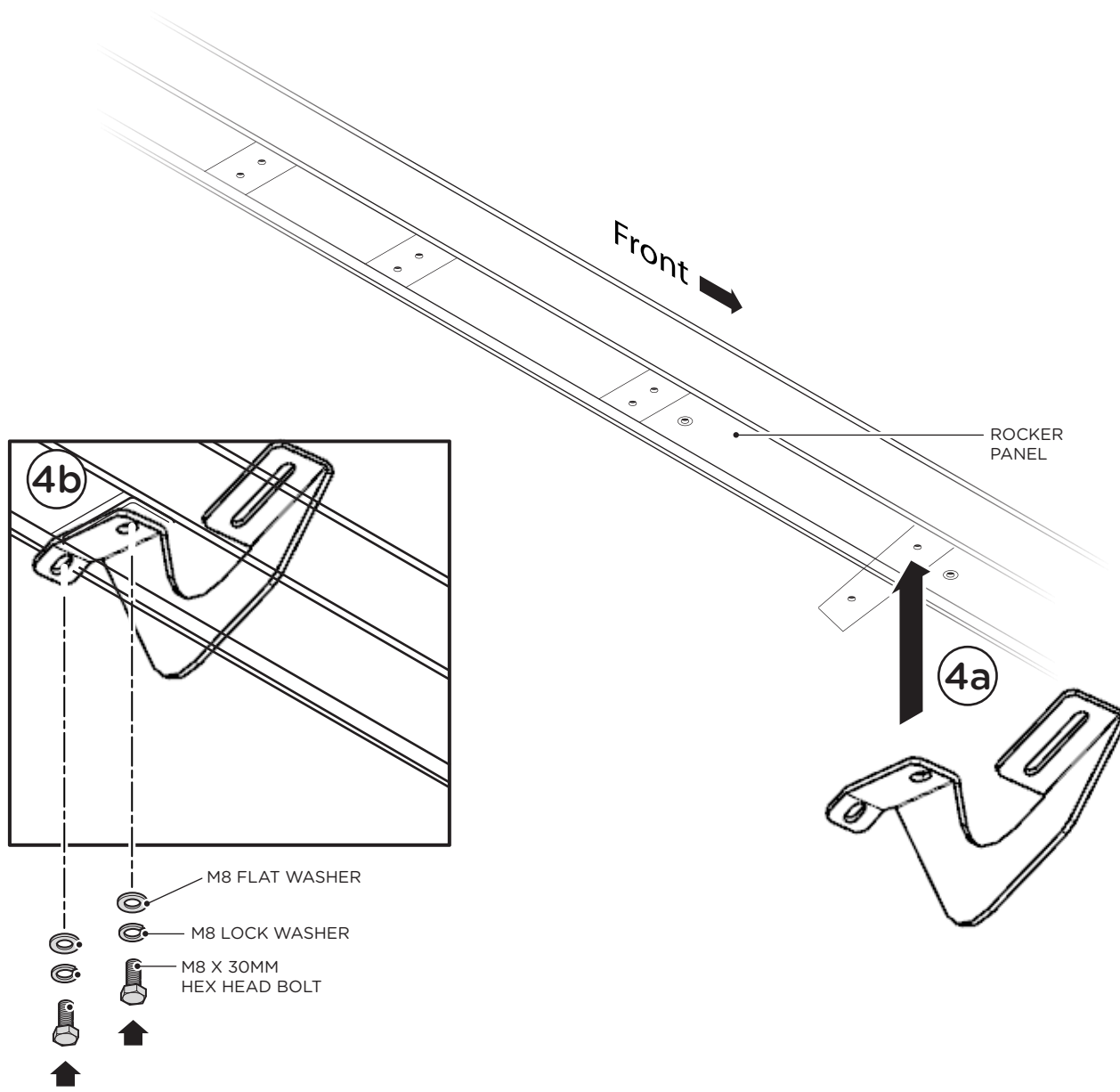
**1.** Remove all contents from the package and check stainless steel tubes for any damage. Also, verify that all components and hardware listed above are included before you begin installation.

**2.** Read installation manual and installation drawing completely. Understand all brackets and bolts before installation.

**3.** Begin installation on the passenger side. Align **Brackets** as shown.



**4.** Install the first passenger side front Bracket closest to the front wheel. Align with existing factory holes in the rocker panel as shown (4a), Secure the first Bracket using one (2) M8 x 30mm Hex Bolt, one (2) M8 Lock Washer and one (2) M8 Flat Washer (4b).



**5.** Position the remaining two (2) passenger side center ro rear Brackets as shown (5a) and secure using two (2) M8 x 30mm Hex Bolts, two (2) M8 Lock Washers and two (2) M8 Flat Washers per Bracket (5b).

