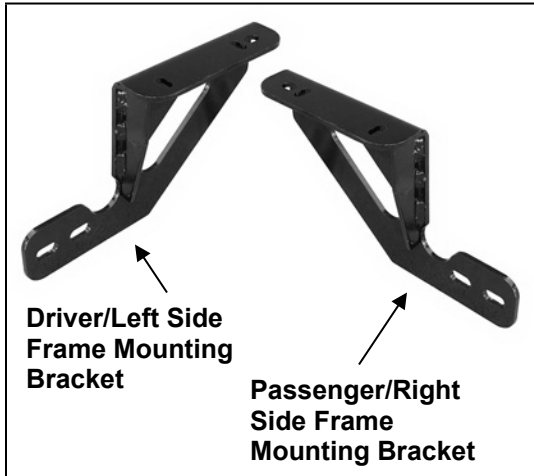


PARTS LIST:

1	Rear Bumper Guard	4	12mm Nylon Lock Nuts
1	Driver/Left Frame Mounting Bracket	4	10-1.25mm x 35mm Fine Thread Hex Bolts
1	Passenger/Right Frame Mounting Bracket	4	10mm Lock Washers
4	12-1.75mm x 30mm Hex Bolts	4	10mm ID x 30mm OD x 2.5mm Flat Washers
8	12mm x 32mm OD x 3mm Flat Washers		



PROCEDURE:

- 1. REMOVE CONTENTS FROM BOX. VERIFY ALL PARTS ARE PRESENT. READ INSTRUCTIONS CAREFULLY BEFORE STARTING INSTALLATION. ASSISTANCE IS RECOMMENDED. MAY NOT FIT VEHICLES WITH FACTORY TOW PACKAGE.**
- Starting from underneath of the driver side of the vehicle, locate the two factory threaded holes in the frame channel, **(Figures 1 & 2)**.

Warning: Muffler may be hot, allow time for the exhaust system to cool completely before starting installation.
- Attach the driver side Frame Bracket to the threaded holes using the included (2) 10-1.25mm x 35mm Hex Bolts, (2) 10mm Lock Washers and (2) 10mm Flat Washers, **(Figure 1 & 2)**. Snug hardware but do not tighten at this time. Repeat this Step for passenger side Frame Mounting Bracket installation.
- Carefully position the Rear Bumper Guard onto the outside of the previously installed (2) Mounting Brackets and attach it using the included (4) 12mm x 30mm Hex Bolts, (8) 12mm Flat Washers and (4) 12mm Nylon Lock Nuts, **(Figures 2 & 3)**. Snug but do not tighten hardware at this time.
- Level and adjust the Rear Bumper Guard properly and tighten all hardware.
- Do periodic inspections of the installation to make sure that all hardware is secure and tight.

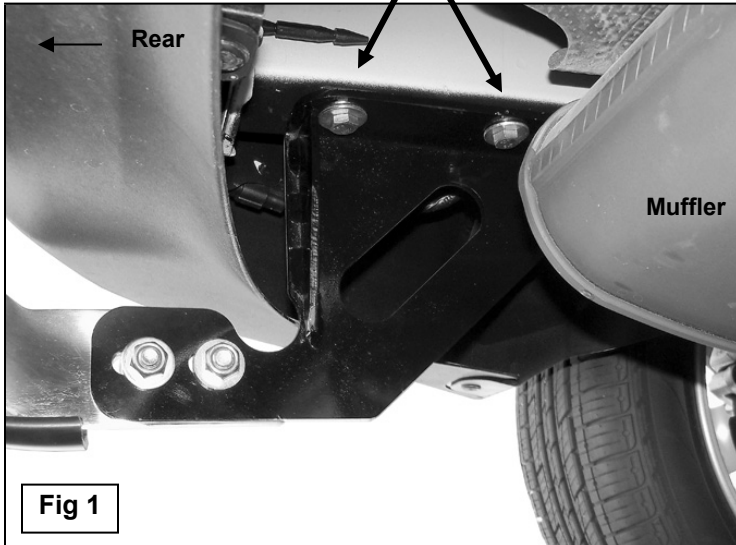
To protect your investment, wax this product after installing. Regular waxing is recommended to add a protective layer over the finish. Do not use any type of polish or wax that may contain abrasives that could damage the finish.

For stainless steel: Aluminum polish may be used to polish small scratches and scuffs on the finish. Mild soap may be used also to clean the Rear Bumper Guard.

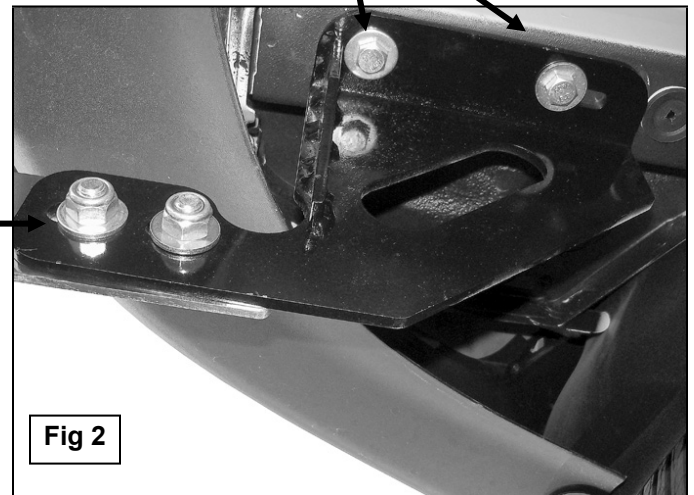
For gloss black finishes: Mild soap may be used to clean the Rear Bumper Guard.

Driver Side Installation Pictured

Bolt the Frame Mounting Brackets to the factory threaded holes in the bottom of the frame panel



**(2) 10-1.25mm x 35mm
Fine Thread Hex Bolts
(2) 10mm Lock Washers
(2) 10mm Flat Washers**



**(2) 12mm x 30mm Hex Bolts
(4) 12mm Flat Washers
(2) 12mm Nylon Lock Nuts**



**(2) 12mm x 30mm Hex Bolts
(4) 12mm Flat Washers
(2) 12mm Nylon Lock Nuts**