



Installation Instructions

VGSSB-1366AL

Instruction No	Version	Part. No.
31373695	1.8	39793351, 39840885, 39836622, 39836613, 39836660, 39836586, 39836577, 39836568, 39836559, 39836640, 39836550, 39836595, 39836631, 39836695, 39836649, 39844117, 39844118, 39844119, 39844120, 39844121, 39844122, 39844123, 39791760, 39791870, 39791775, 31664584, 39791765, 39791770, 39791785, 39791790, 39791795, 39791800, 39791805, 39791810, 39791883

Running board



IMG-382887





Installation instructions, accessories

Volvo Car Corporation Gothenburg, Sweden

Special tools

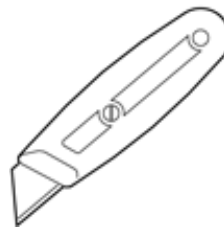
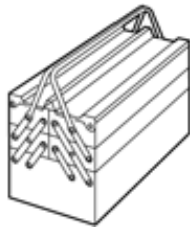
951 2782 Rivet nut tool
Tool number:951 2782
Tool description:Rivet nut tool
Tool boards:08

Materials

Designation	Part number
Isopropanol	1161721
Lubricant	1161150

Equipment

VIDA



IMG-242205

IMG-345497

IMG-239664

IMG-268803

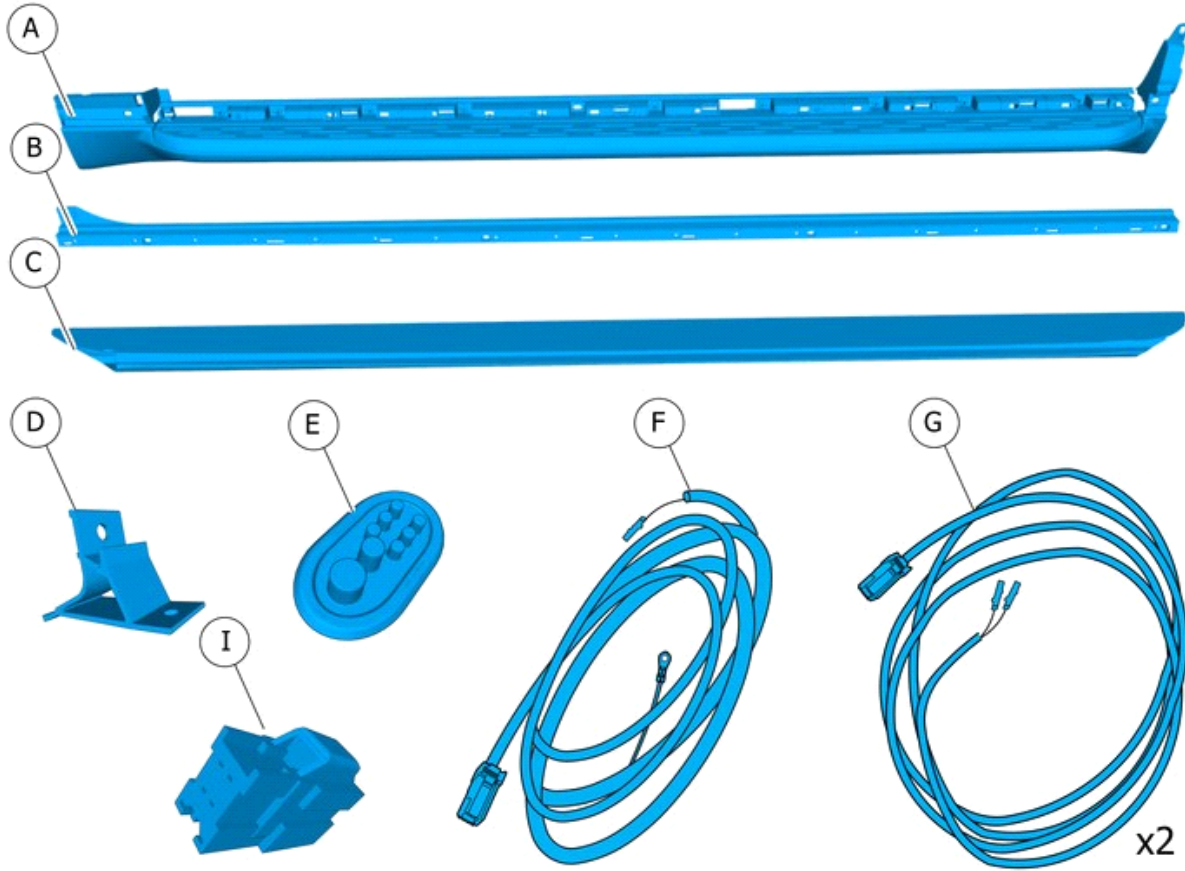
IMG-239980

Nm
lbf.ft



Installation instructions, accessories

Volvo Car Corporation Gothenburg, Sweden

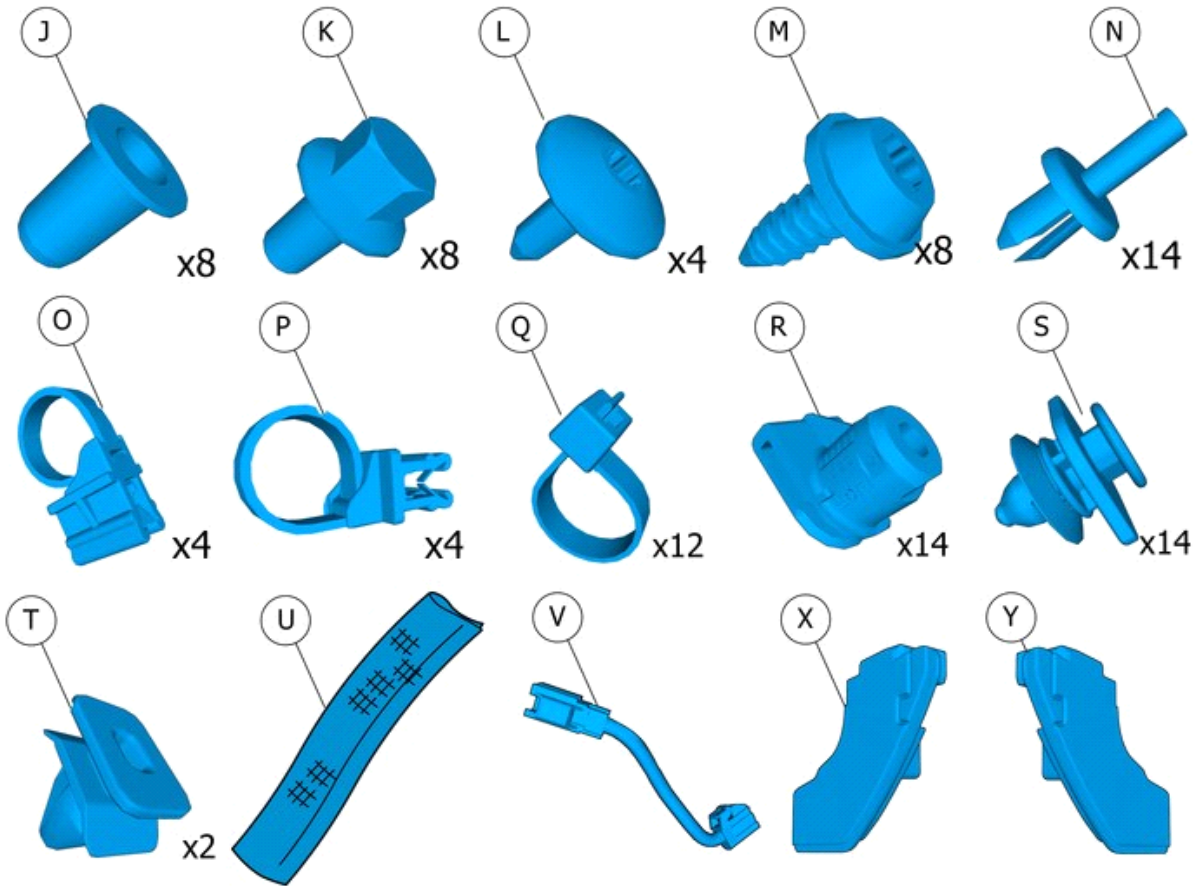


IMG-394037



Installation instructions, accessories

Volvo Car Corporation Gothenburg, Sweden



IMG-401287



Installation instructions, accessories

Volvo Car Corporation Gothenburg, Sweden

Information

1

Read through all of the instructions before starting installation.

Notifications and warning texts are for your safety and to minimise the risk of something breaking during installation.

Ensure that all tools stated in the instructions are available before starting installation.

Certain steps in the instructions are only presented in the form of images. Explanatory text is also given for more complicated steps.

In the event of any problems with the instructions or the accessory, contact your local Volvo dealer.

Further information

2



IMG-400007

Vehicles without pre-routed wiring harness (variant code 2091)

Vehicles with pre-routed wiring harness (variant code 2092)

3

There may be parts in the accessories kit that are not needed for this installation.

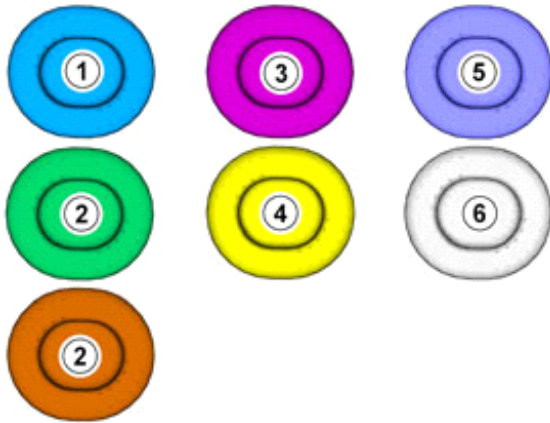
Color symbols



Installation instructions, accessories

Volvo Car Corporation Gothenburg, Sweden

4



IMG-363036

Note!

This colour chart displays (in colour print and electronic version) the importance of the different colours used in the images of the method steps.

1. Used for focused component, the component with which you will do something.
2. Used as extra colors when you need to show or differentiate additional parts.
3. Used for attachments that are to be removed/installed. May be screws, clips, connectors, etc.
4. Used when the component is not fully removed from the vehicle but only hung to the side.
5. Used for standard tools and special tools.
6. Used as background color for vehicle components.

Disconnecting the battery

5



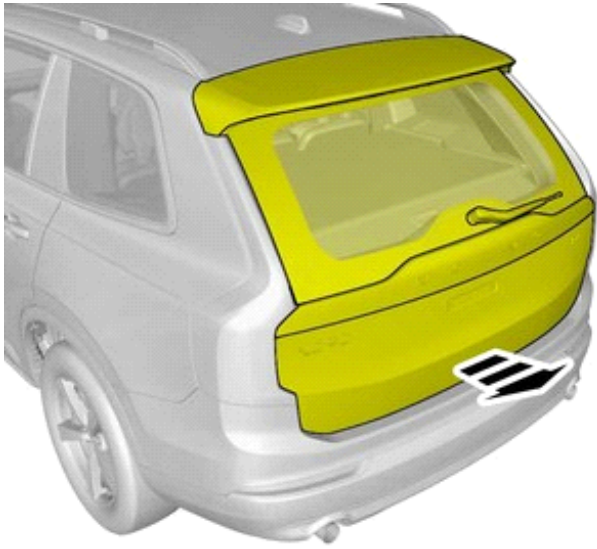
IMG-394535



Installation instructions, accessories

Volvo Car Corporation Gothenburg, Sweden

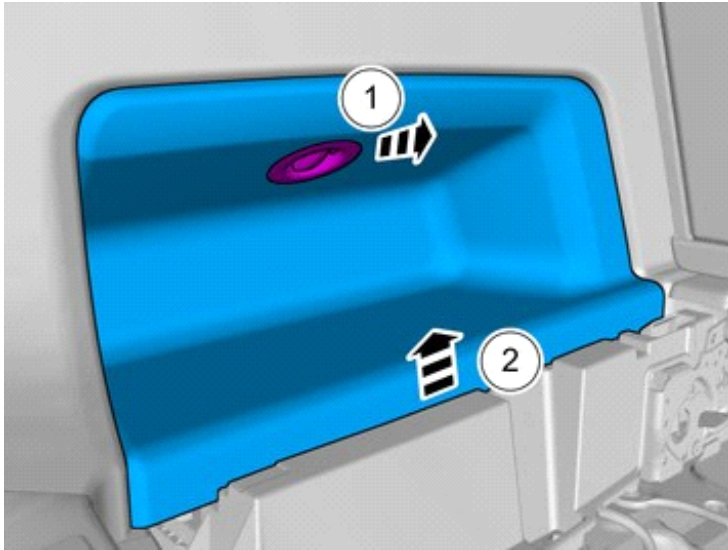
6



Open the tailgate.

IMG-394779

7



Remove the panel.

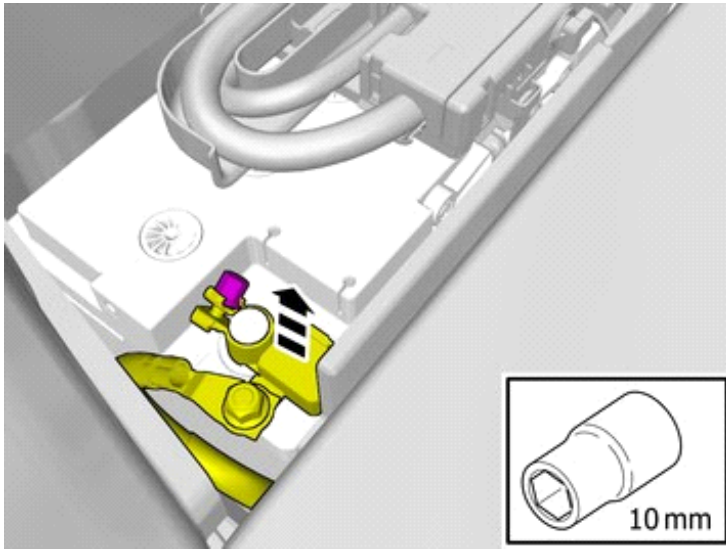
IMG-387004



Installation instructions, accessories

Volvo Car Corporation Gothenburg, Sweden

8

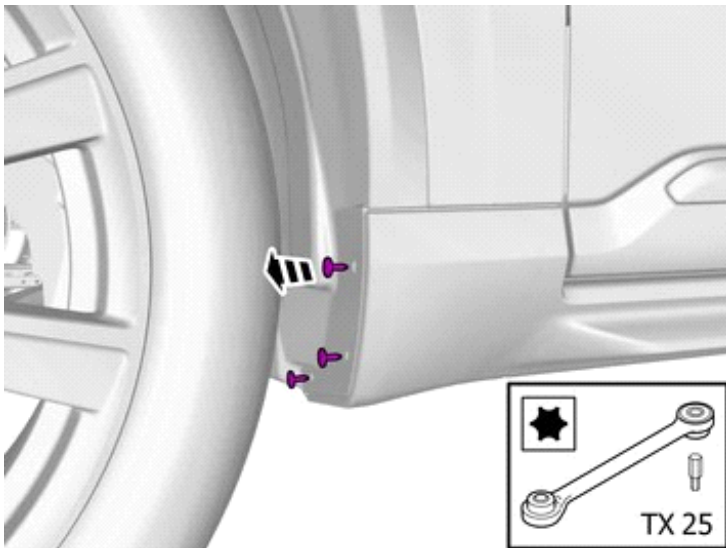


IMG-394520

Remove the battery's negative cable.

Removal

9



IMG-382894

Note!
The screws are to be reused.

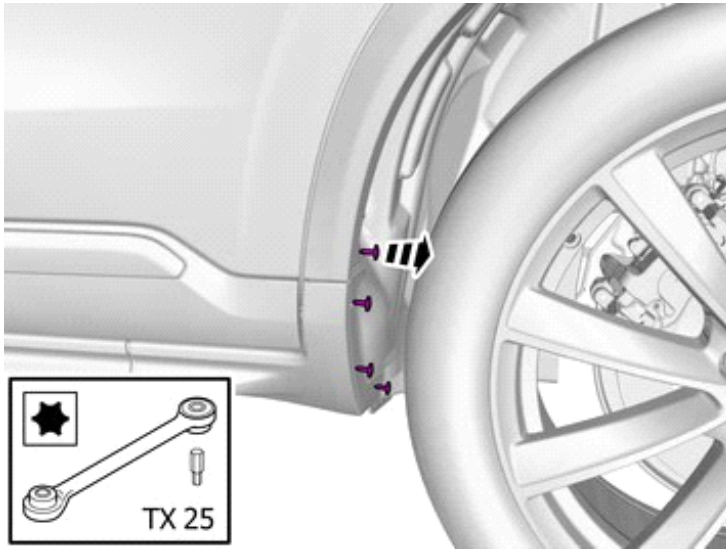
Remove the screws.



Installation instructions, accessories

Volvo Car Corporation Gothenburg, Sweden

10



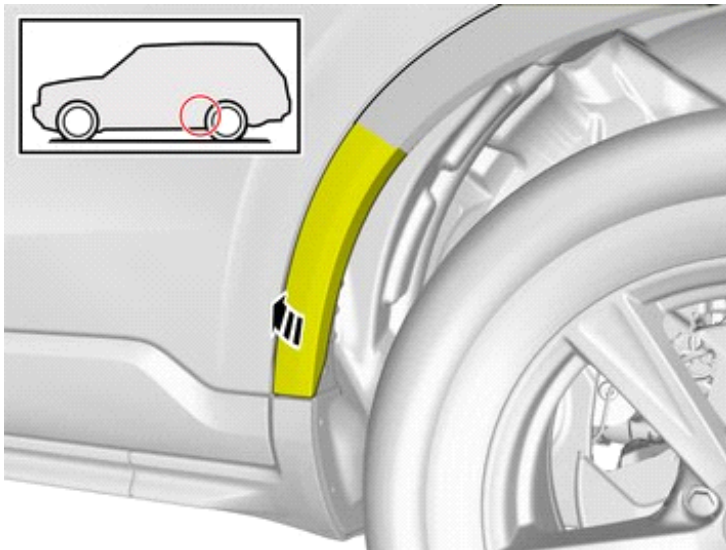
IMG-382895

Note!

The screws are to be reused.

Remove the screws.

11



IMG-382896

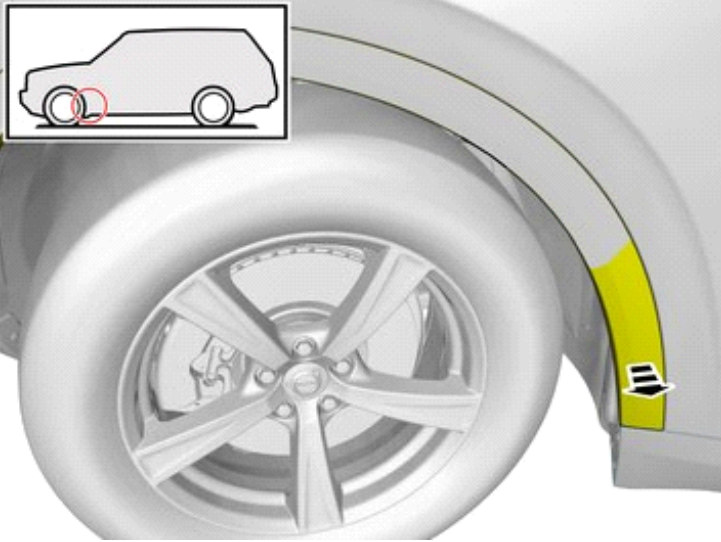
Fold marked part to one side.



Installation instructions, accessories

Volvo Car Corporation Gothenburg, Sweden

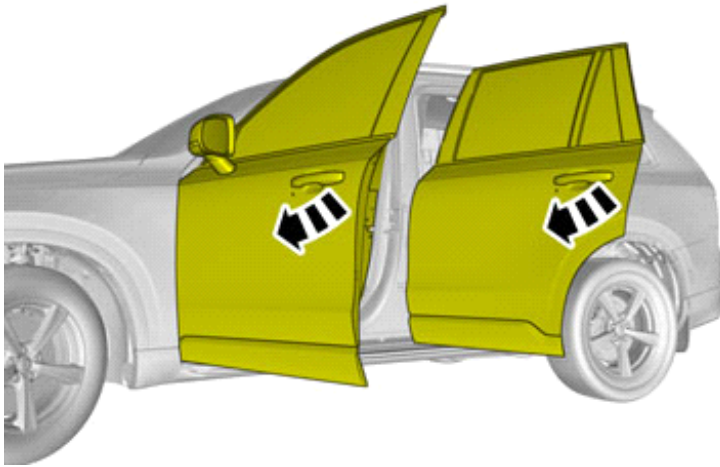
12



Fold marked part to one side.

IMG-382897

13

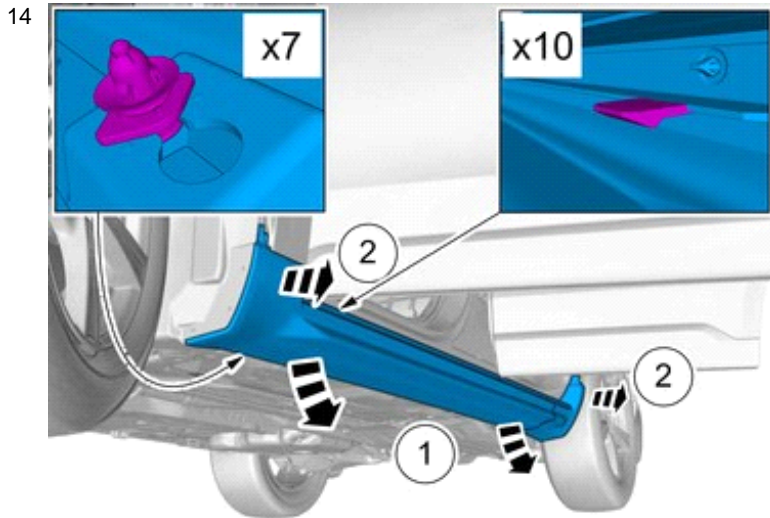


IMG-382898



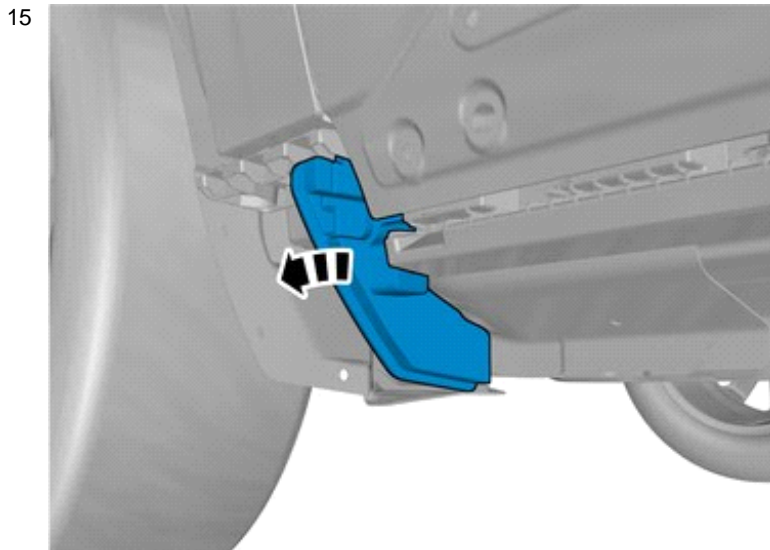
Installation instructions, accessories

Volvo Car Corporation Gothenburg, Sweden



Remove the marked part.
The part is not to be reused.

IMG-382932



The part is not to be reused.

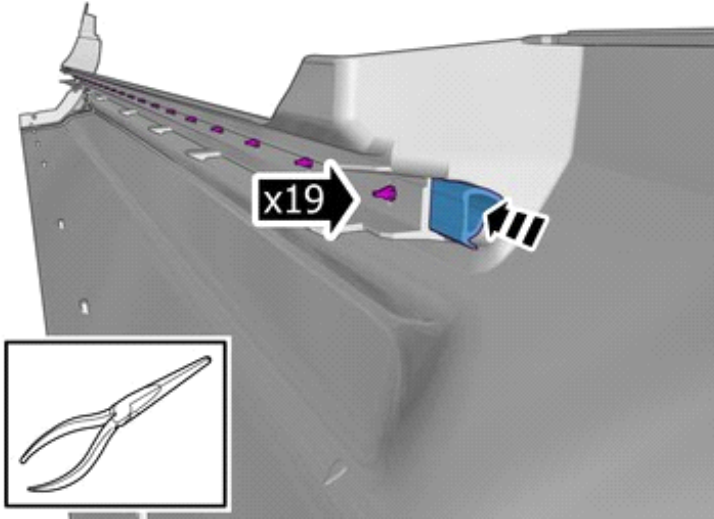
IMG-401092



Installation instructions, accessories

Volvo Car Corporation Gothenburg, Sweden

16



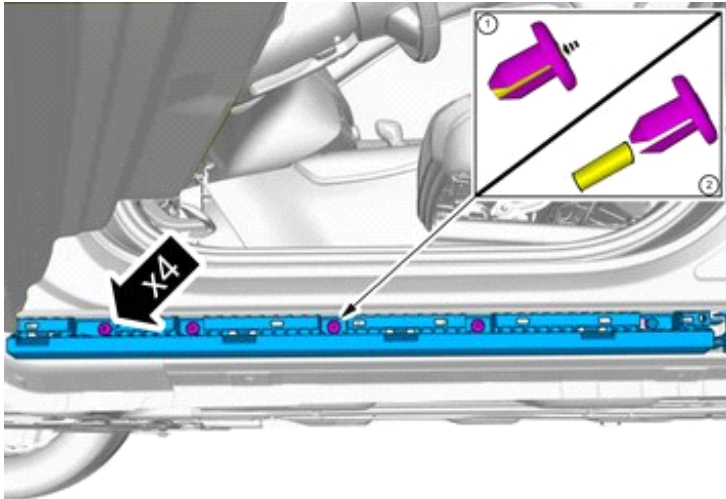
IMG-382998

Caution!
The part is to be reused.

Loosen the clips.

Remove the weatherstrip.

17



IMG-382930

Loosen the clips.

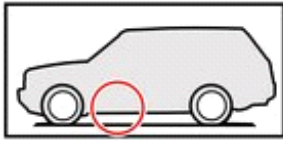
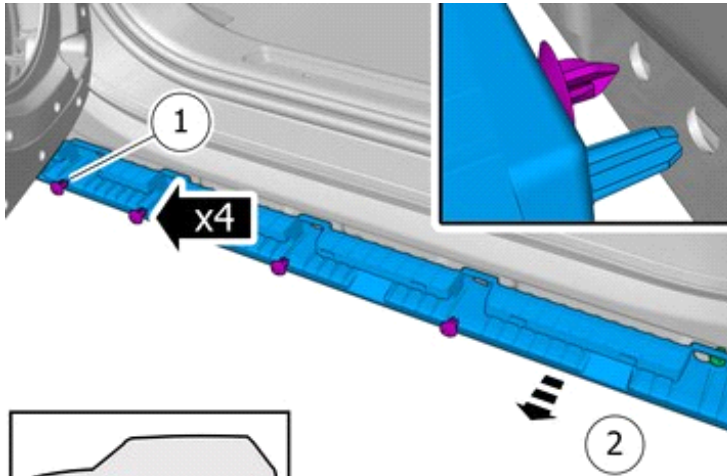
Use: Drift



Installation instructions, accessories

Volvo Car Corporation Gothenburg, Sweden

18

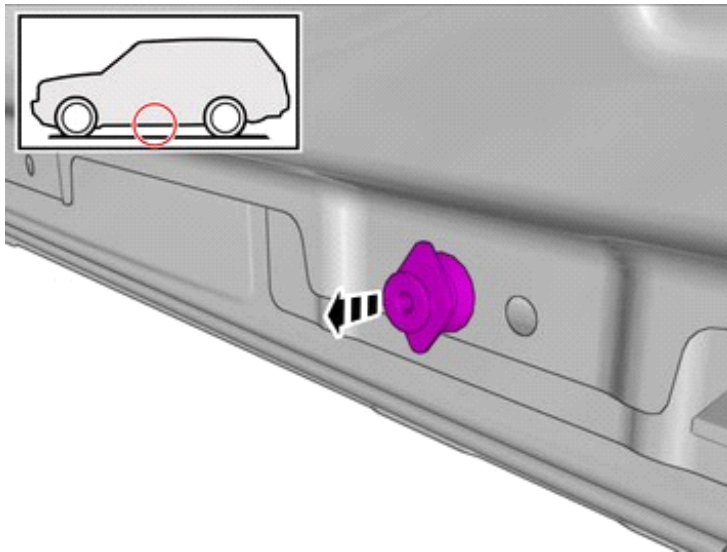


IMG-387609

1. Loosen the clips.
2. Remove the marked part.

The part is not to be reused.

19



IMG-387618

Note!

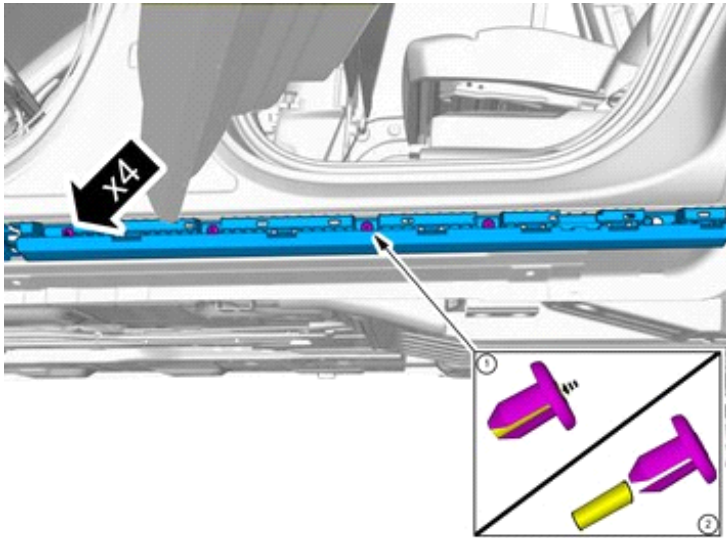
Make sure that the mating faces are clean and free of foreign material.



Installation instructions, accessories

Volvo Car Corporation Gothenburg, Sweden

20

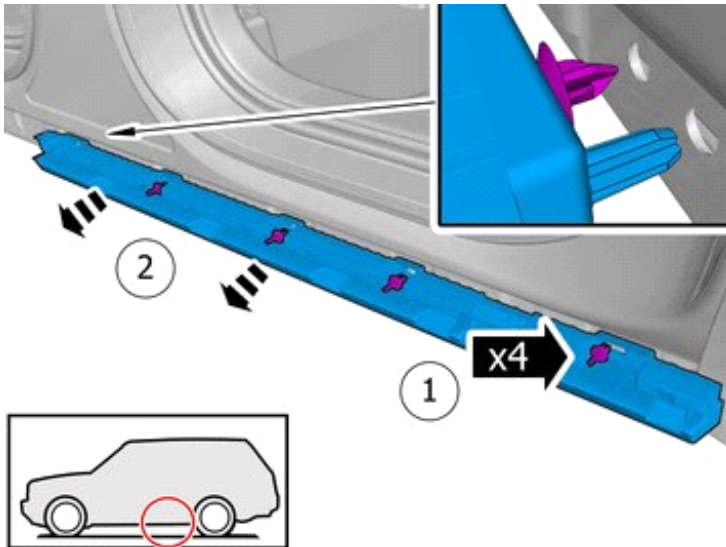


Loosen the clips.

Use: Drift

IMG-382933

21



1. Loosen the clip.

2. Remove the marked part.

The part is not to be reused.

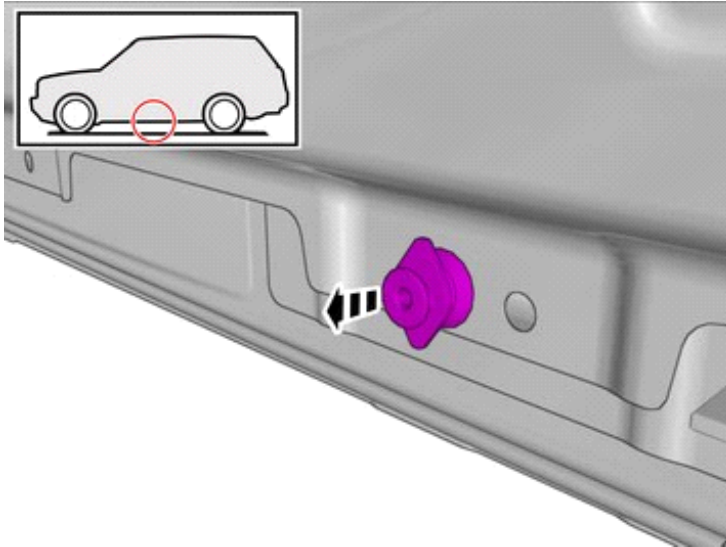
IMG-397600



Installation instructions, accessories

Volvo Car Corporation Gothenburg, Sweden

22

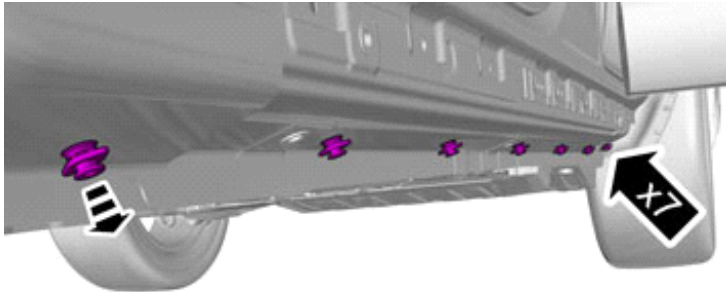


IMG-387618

Note!

Make sure that the mating faces are clean and free of foreign material.

23



IMG-382935

Note!

Make sure that the mating faces are clean and free of foreign material.

Note!

The clips consist of two parts.

Remove the clips.

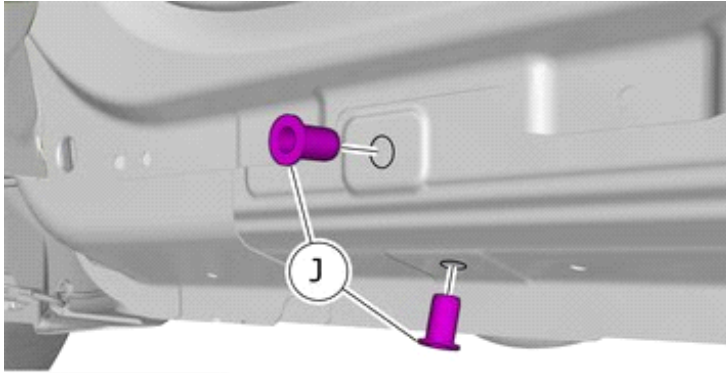
Accessory installation



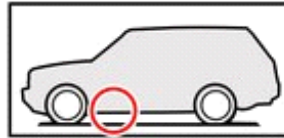
Installation instructions, accessories

Volvo Car Corporation Gothenburg, Sweden

24

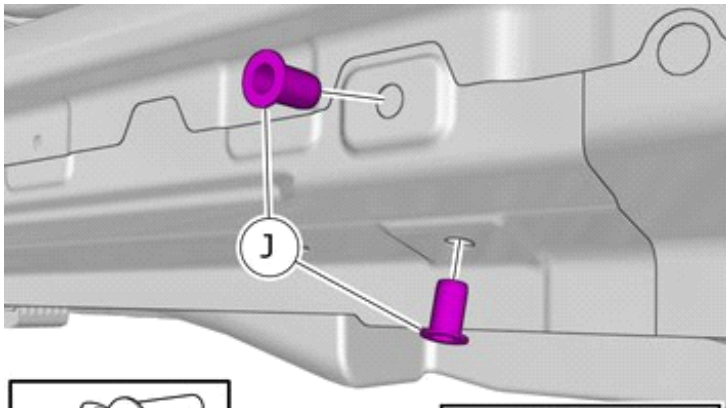


Use special tool: T9512782, Rivet nut tool

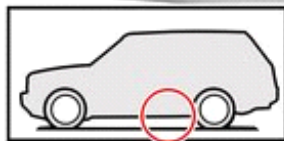


IMG-393237

25



Use special tool: T9512782, Rivet nut tool

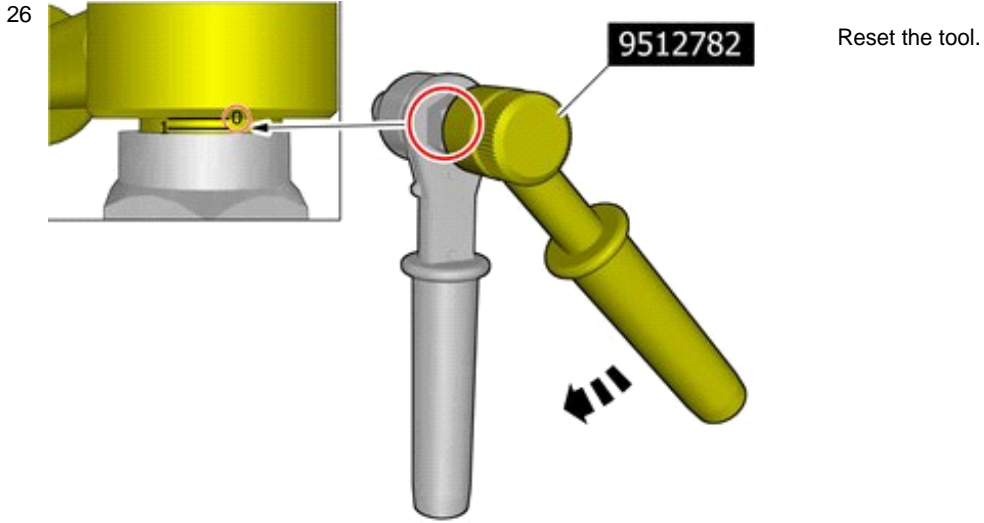


IMG-393238



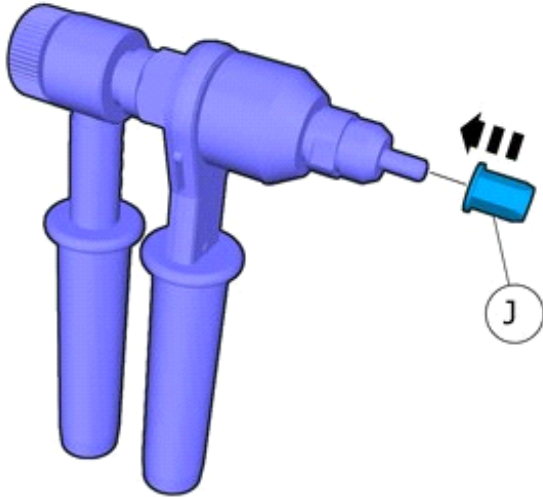
Installation instructions, accessories

Volvo Car Corporation Gothenburg, Sweden



IMG-372305

27



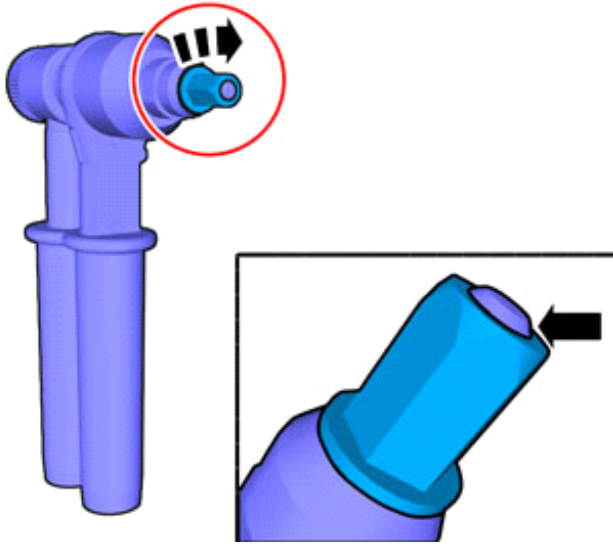
IMG-397692



Installation instructions, accessories

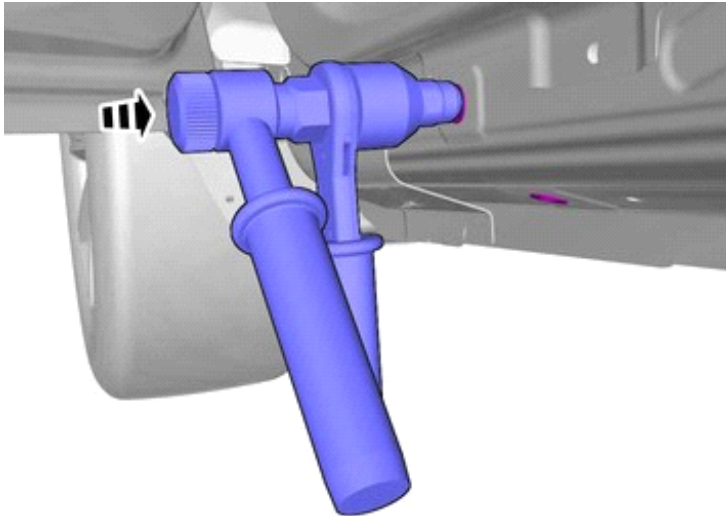
Volvo Car Corporation Gothenburg, Sweden

28



IMG-367098

29



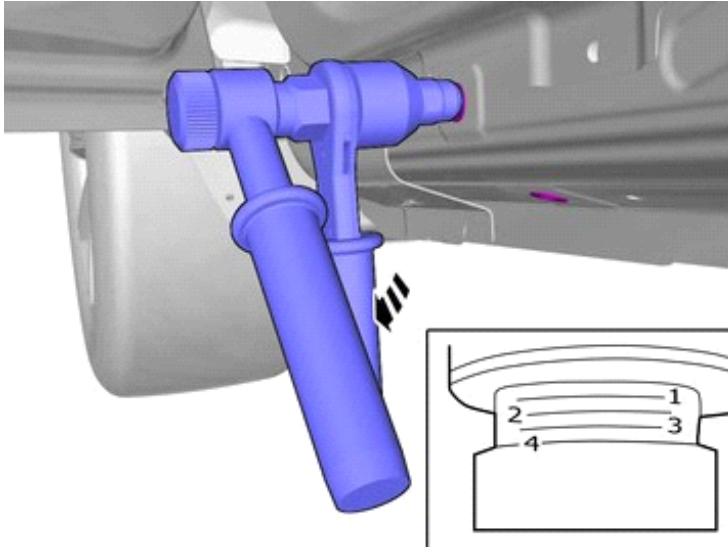
IMG-397605



Installation instructions, accessories

Volvo Car Corporation Gothenburg, Sweden

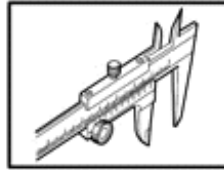
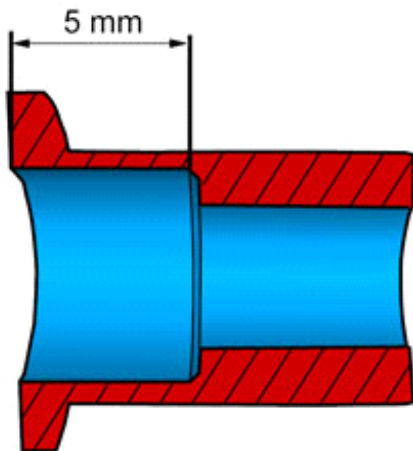
30



Tighten to the value stated.

IMG-397670

31



Measure

Use: Vernier caliper

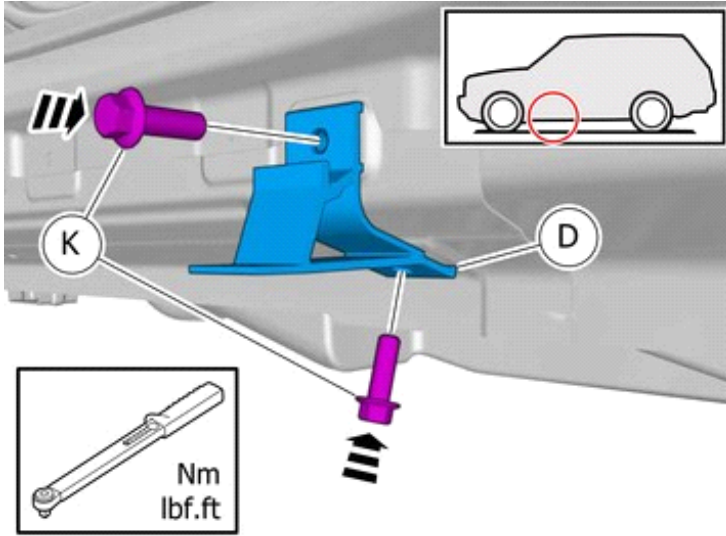
IMG-373060



Installation instructions, accessories

Volvo Car Corporation Gothenburg, Sweden

32

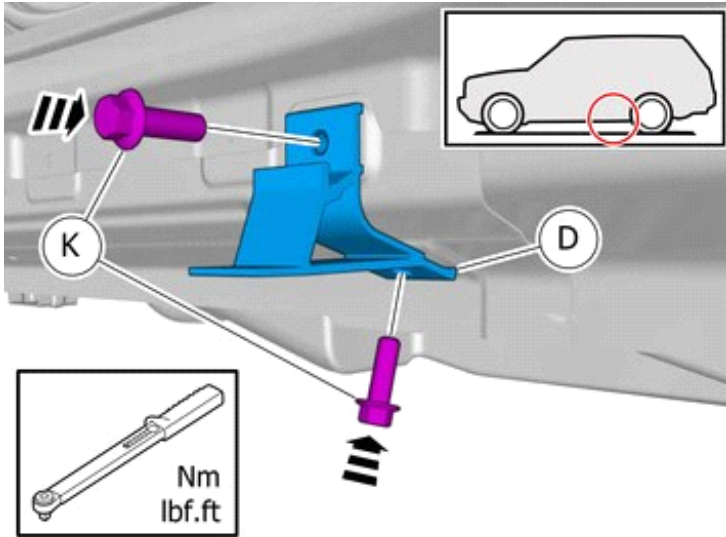


IMG-393239

Install the screws.

Tightening torque: M10 , 50 Nm

33



IMG-393240

Install the screws.

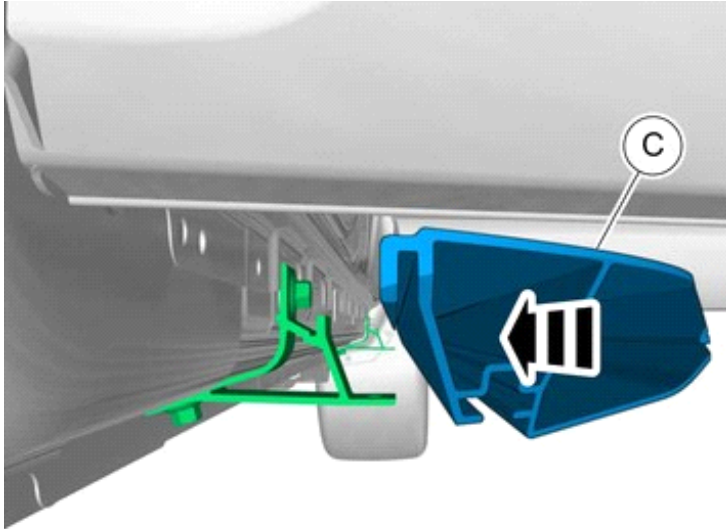
Tightening torque: M10 , 50 Nm



Installation instructions, accessories

Volvo Car Corporation Gothenburg, Sweden

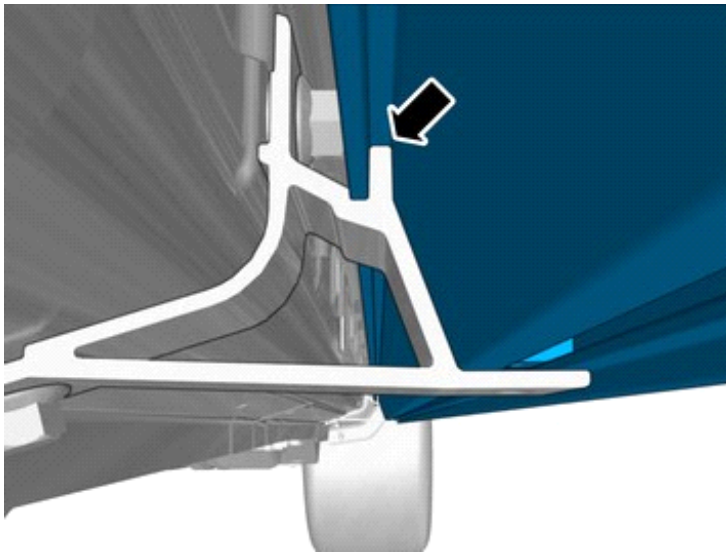
34



IMG-382940

Install component that comes with the accessory kit.

35



IMG-387358

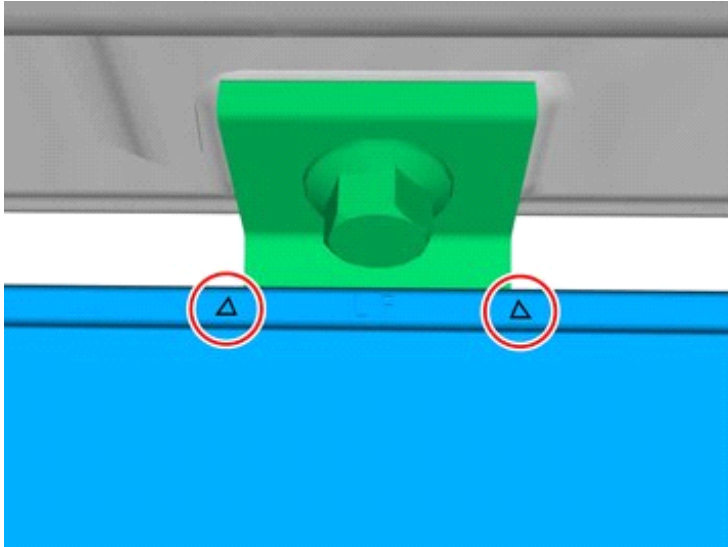
Note!
Note the position.



Installation instructions, accessories

Volvo Car Corporation Gothenburg, Sweden

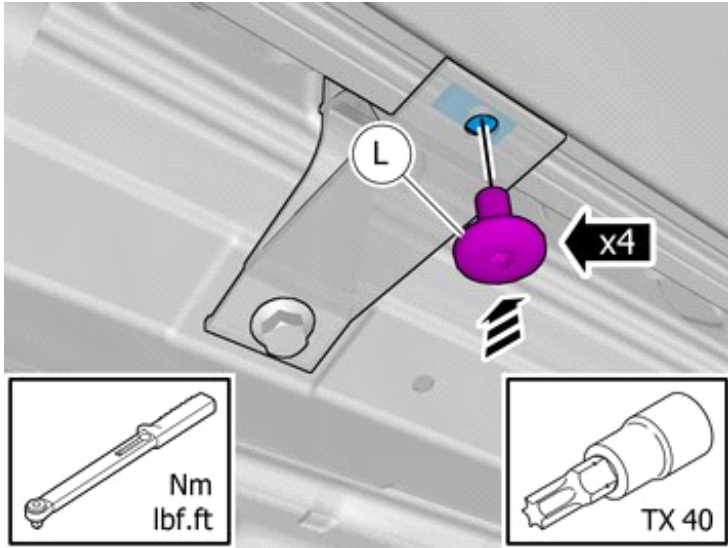
36



IMG-382942

Note!
Note the position.

37



IMG-393242

Install component that comes with the accessory kit.

Install the screws.

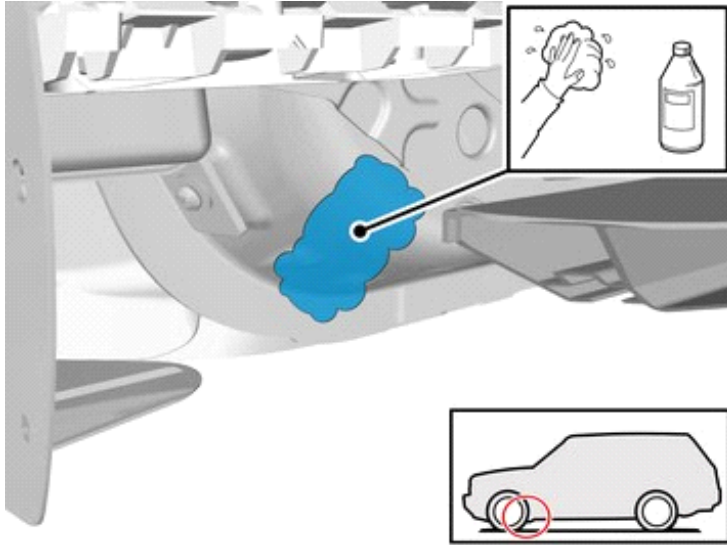
Tightening torque: M8 , 24 Nm



Installation instructions, accessories

Volvo Car Corporation Gothenburg, Sweden

38



IMG-427210

Clean the surface.

Use: 1161721, Isopropanol

Wipe dry.

39



IMG-433922

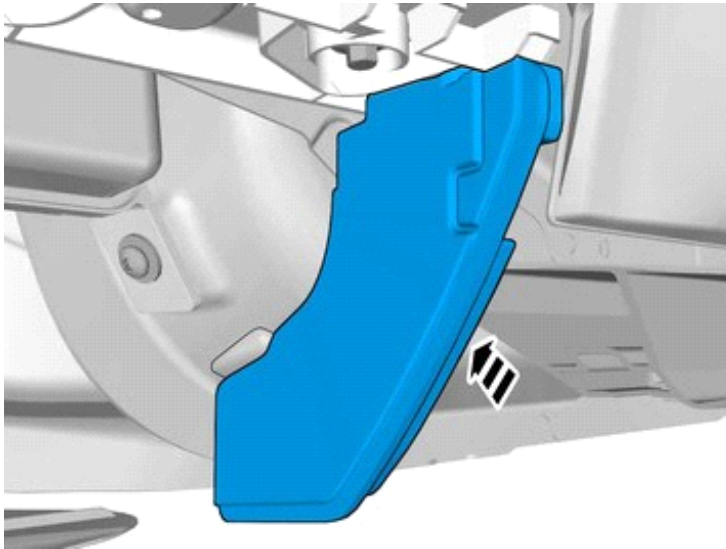
Remove the protective film.



Installation instructions, accessories

Volvo Car Corporation Gothenburg, Sweden

40



IMG-427221

Note!

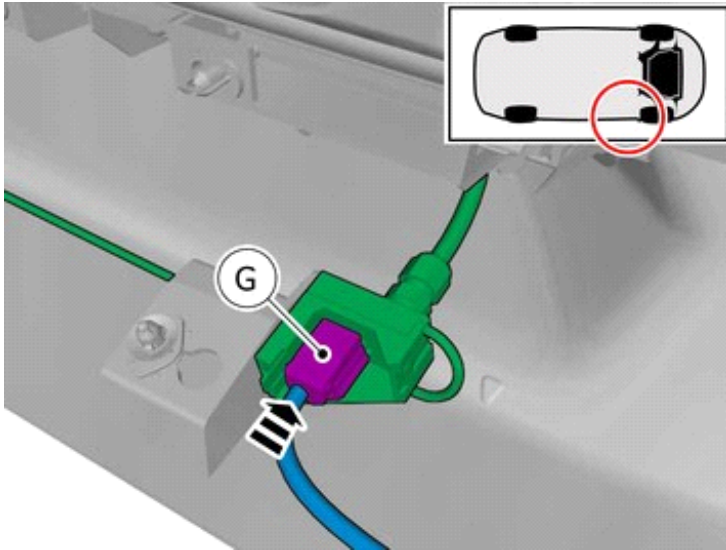
Note the position.

Note!

Ensure that the tape is fixed to the surface.

Install the marked component.

41



IMG-393243

Install component that comes with the accessory kit.

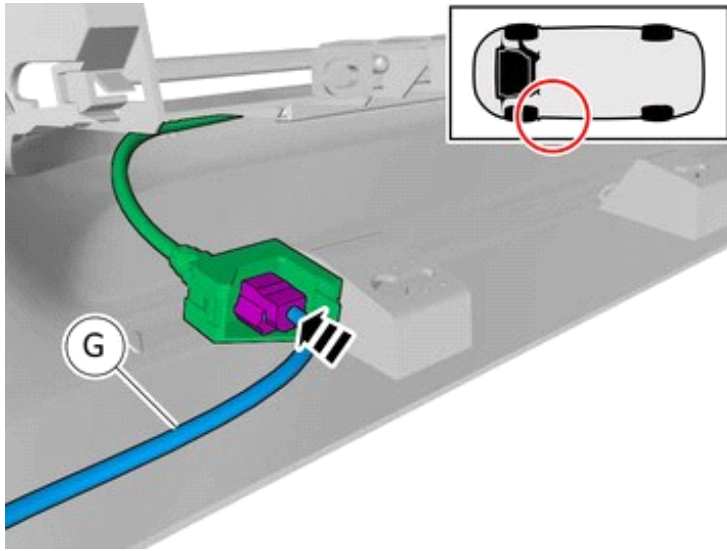
Connect the cable harness.



Installation instructions, accessories

Volvo Car Corporation Gothenburg, Sweden

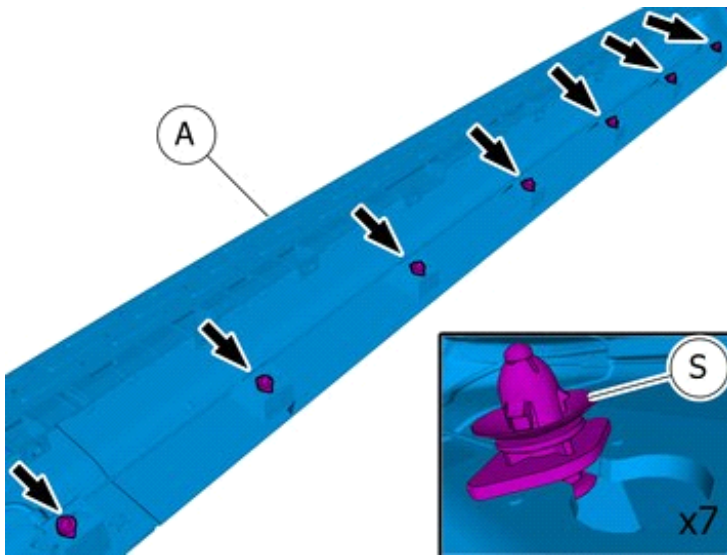
42



IMG-393270

Install component that comes with the accessory kit.
Connect the cable harness.

43



IMG-394058

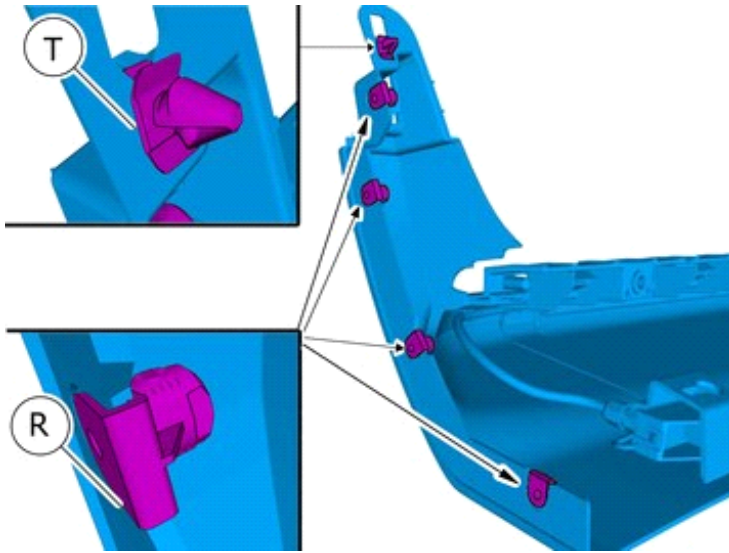
Install component that comes with the accessory kit.
Install the clip(s).



Installation instructions, accessories

Volvo Car Corporation Gothenburg, Sweden

44

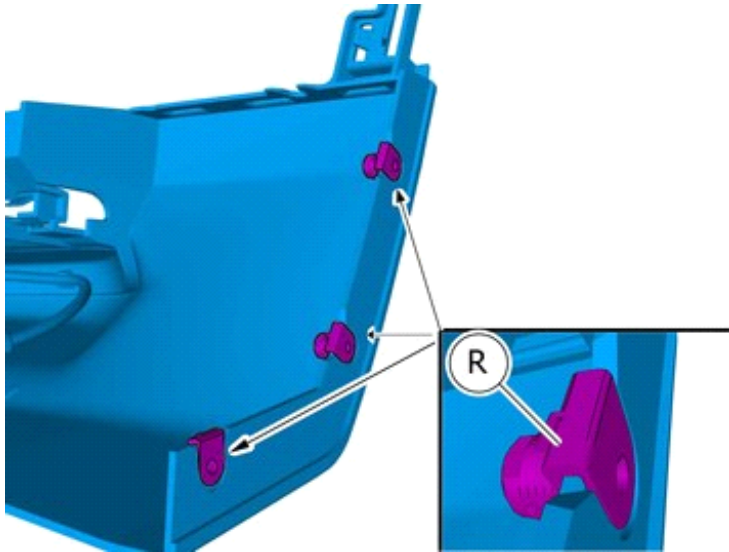


IMG-394036

Install component that comes with the accessory kit.

Install the clip(s).

45



IMG-394057

Install component that comes with the accessory kit.

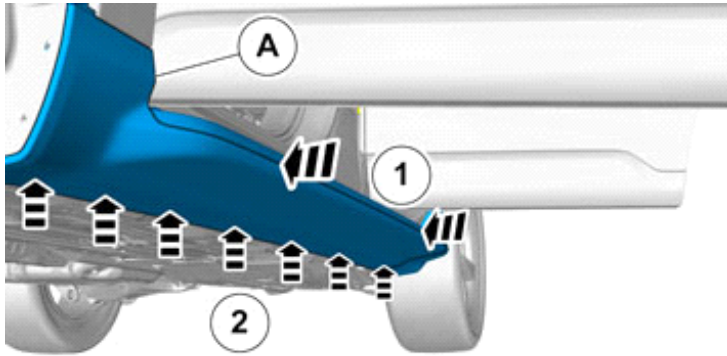
Install the clip(s).



Installation instructions, accessories

Volvo Car Corporation Gothenburg, Sweden

46



Note!

This step is easier with two people.

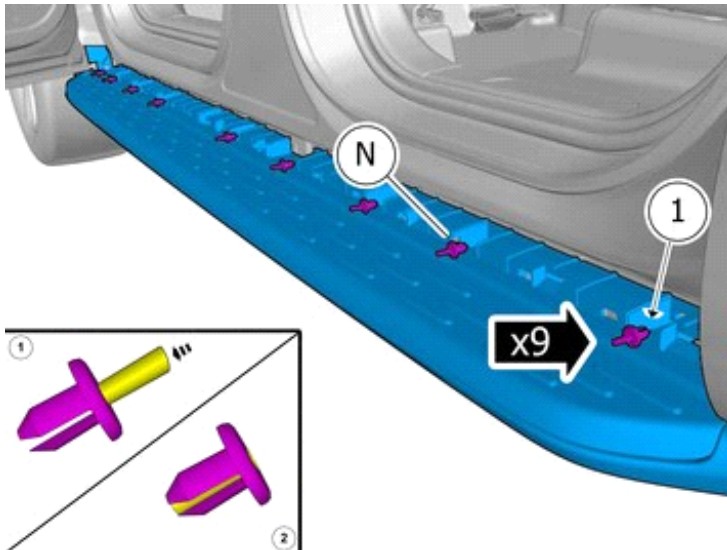
Install component that comes with the accessory kit.

Use hands only.

Ensure that all clips engage.

IMG-382982

47



Install the clip(s).

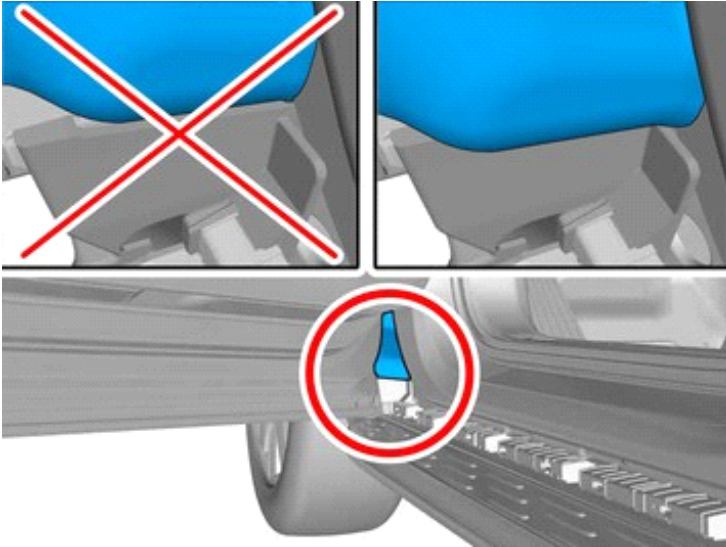
IMG-397622



Installation instructions, accessories

Volvo Car Corporation Gothenburg, Sweden

48

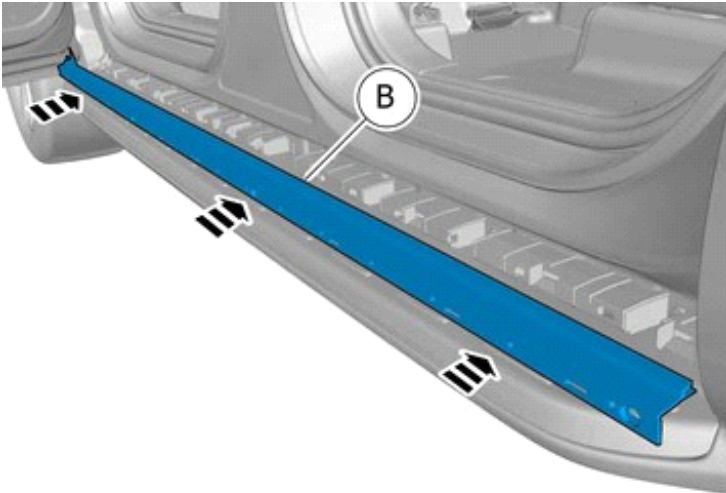


IMG-411833

Note!

Note the position.

49



IMG-397623

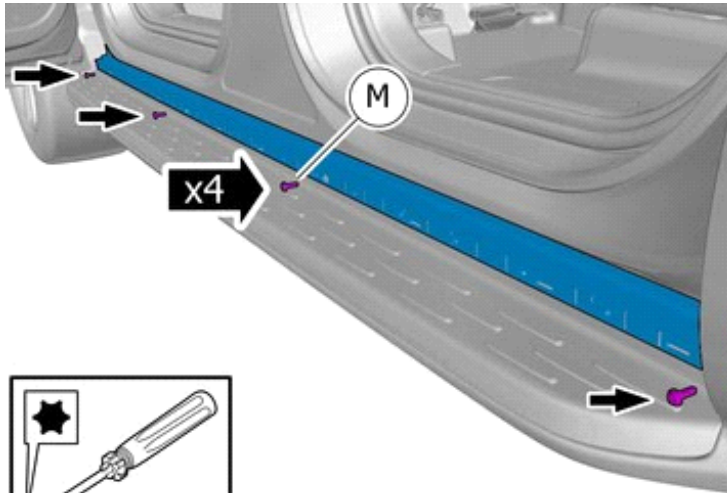
Install component that comes with the accessory kit.



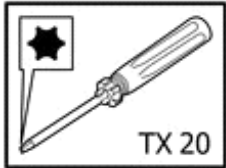
Installation instructions, accessories

Volvo Car Corporation Gothenburg, Sweden

50

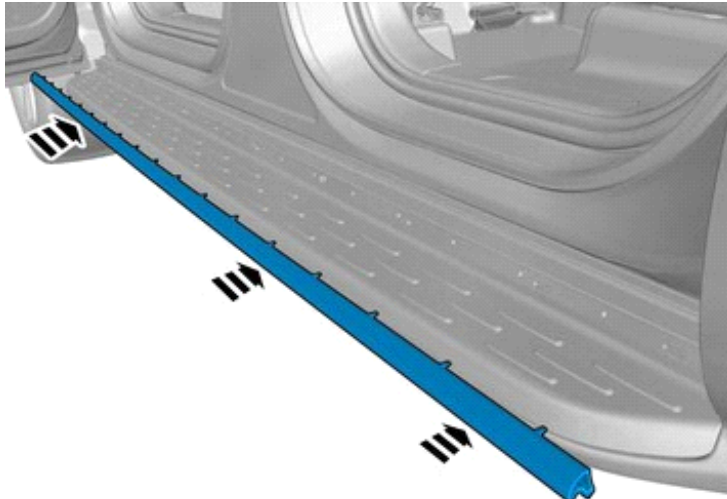


Install the screws.



IMG-397630

51



Reinstall the weatherstrip.

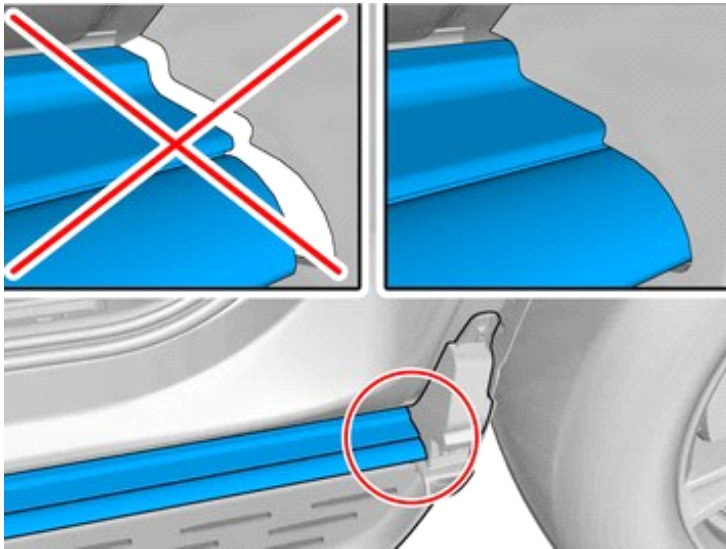
IMG-397634



Installation instructions, accessories

Volvo Car Corporation Gothenburg, Sweden

52



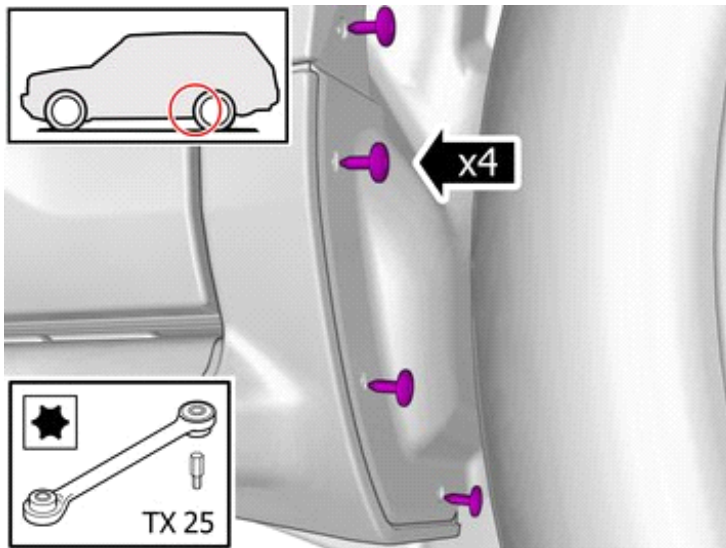
IMG-404590

Note!

Note the position.

Installation

53



IMG-397625

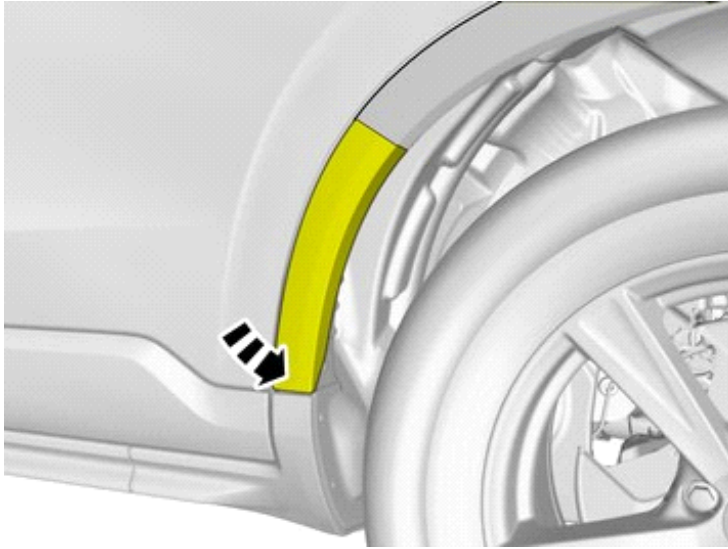
Install the screws.



Installation instructions, accessories

Volvo Car Corporation Gothenburg, Sweden

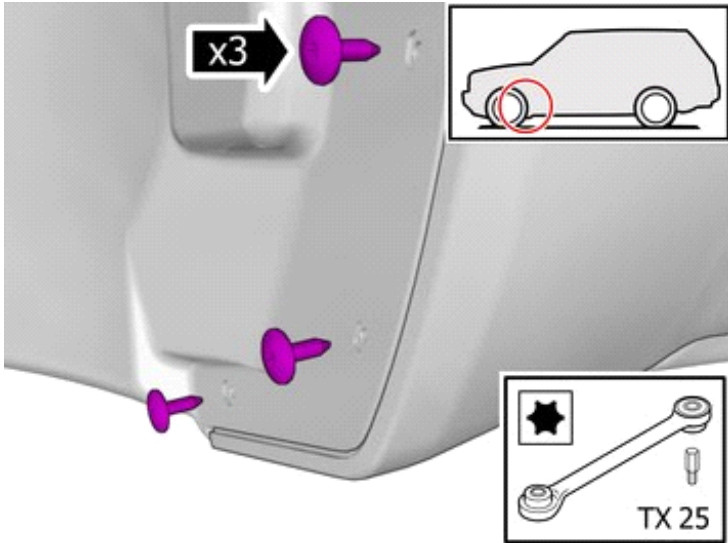
54



Reinstall the removed part.

IMG-382986

55



Install the screws.

IMG-397632



Installation instructions, accessories

Volvo Car Corporation Gothenburg, Sweden

56



IMG-382987

Reinstall the removed part.

57

Repeat the steps when removing on opposite side.

Repeat the steps when installing accessories on opposite side.

IMG-377070

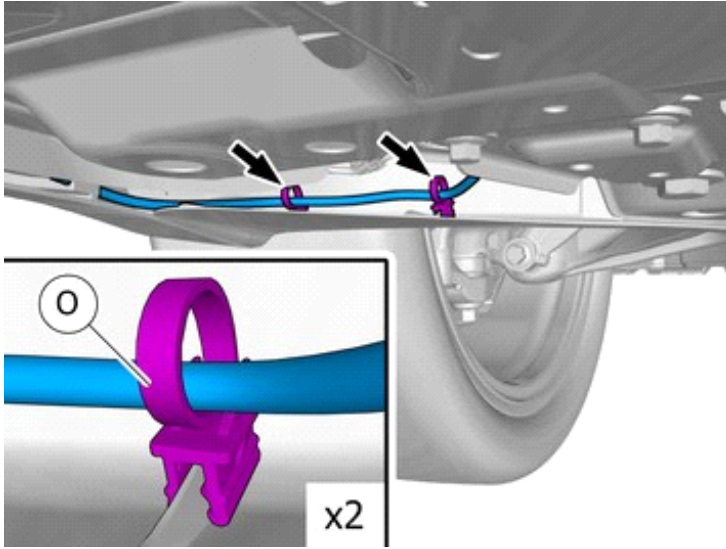
Accessory installation



Installation instructions, accessories

Volvo Car Corporation Gothenburg, Sweden

58



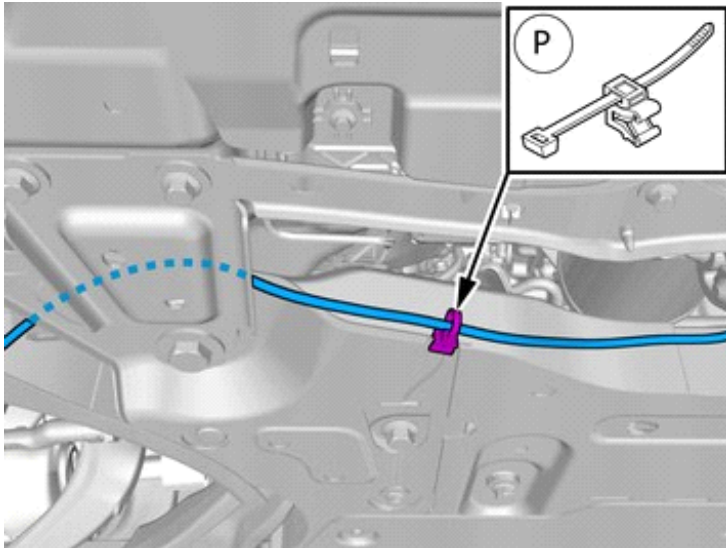
IMG-404418

Position/route the cable harness as illustrated.

Install the clips as illustrated.

Tighten the cable ties.

59



IMG-404419

Position/route the cable harness as illustrated.

Install the clip(s).

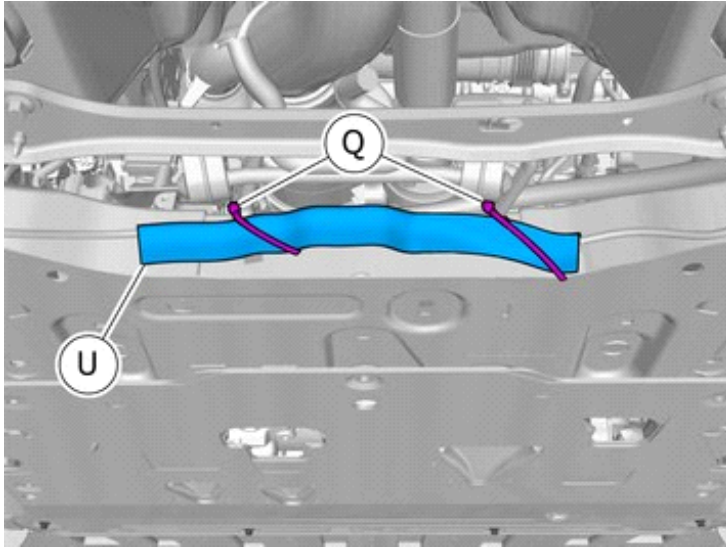
Tighten the cable tie.



Installation instructions, accessories

Volvo Car Corporation Gothenburg, Sweden

60



IMG-401385

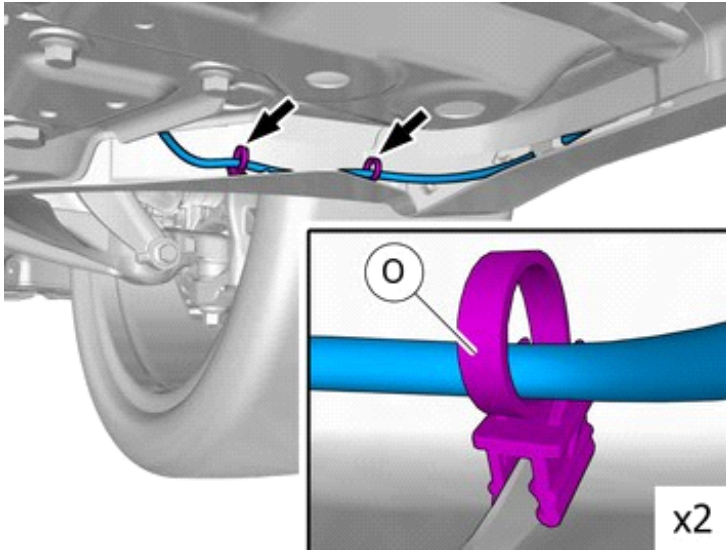
Caution!

Make sure to locate the wiring in such a way that any damage caused by heat or excessive wear is avoided.

Install component that comes with the accessory kit.

Tighten the cable ties.

61



IMG-404424

Position/route the cable harness as illustrated.

Install the clips as illustrated.

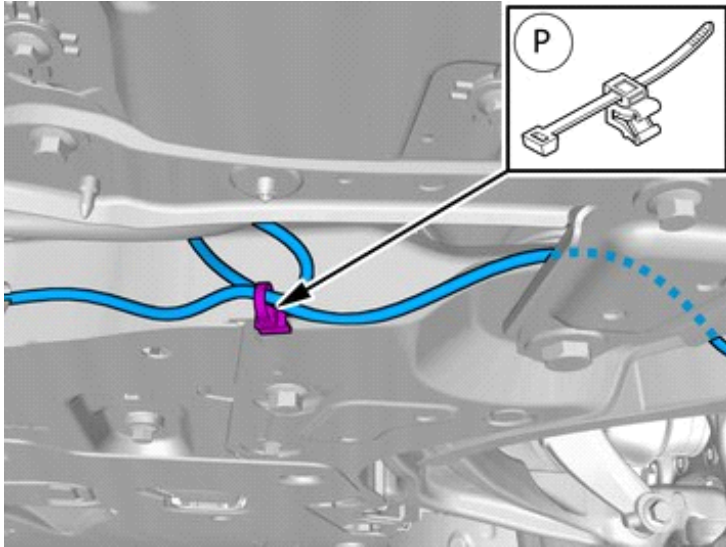
Tighten the cable ties.



Installation instructions, accessories

Volvo Car Corporation Gothenburg, Sweden

62



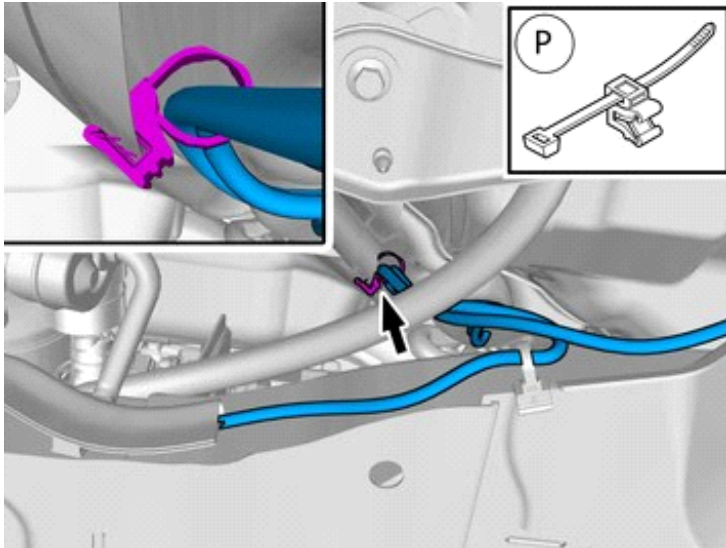
IMG-404427

Position/route the cable harness as illustrated.

Install the clip(s).

Tighten the cable tie.

63



IMG-404431

Install the clip(s).

Tighten the cable tie.

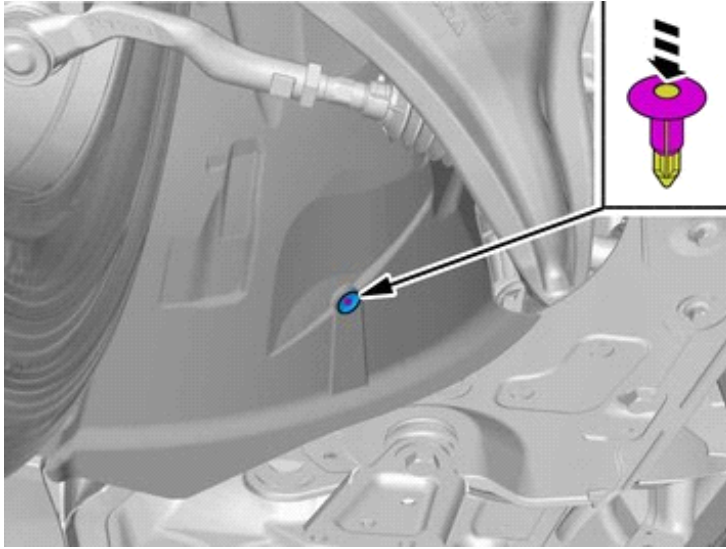
Removal



Installation instructions, accessories

Volvo Car Corporation Gothenburg, Sweden

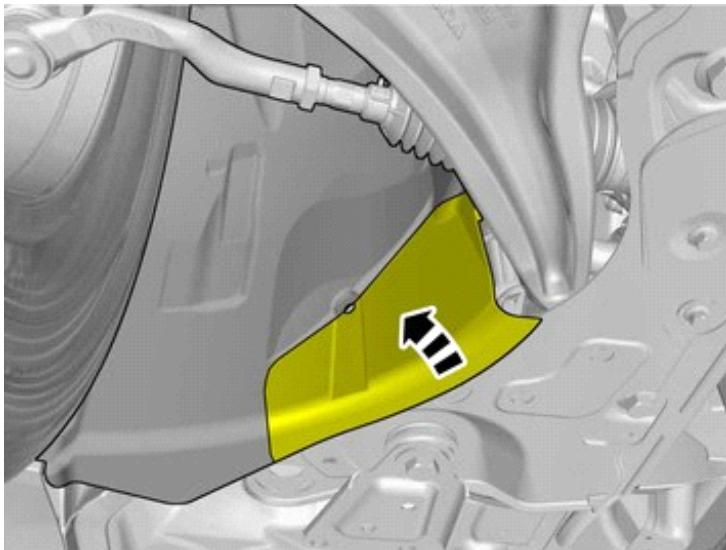
64



Remove the clip.

IMG-404385

65



Fold marked part to one side.

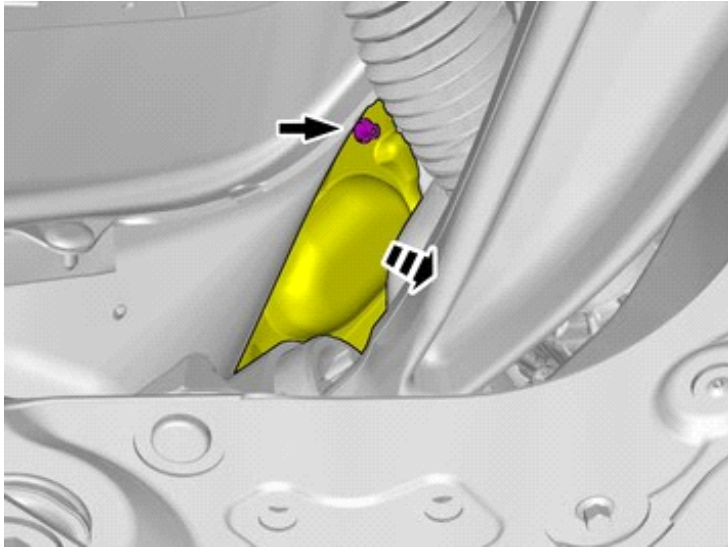
IMG-404387



Installation instructions, accessories

Volvo Car Corporation Gothenburg, Sweden

66

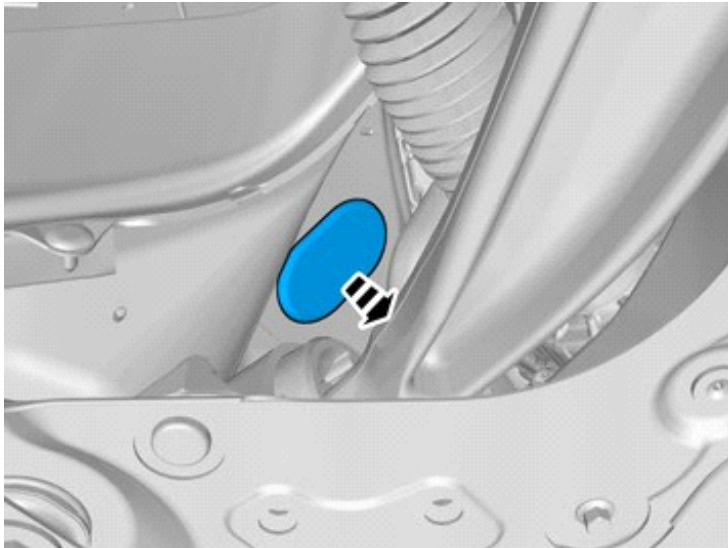


IMG-386950

Remove the nut.

Fold the insulation to one side.

67



IMG-386951

Remove the marked part.

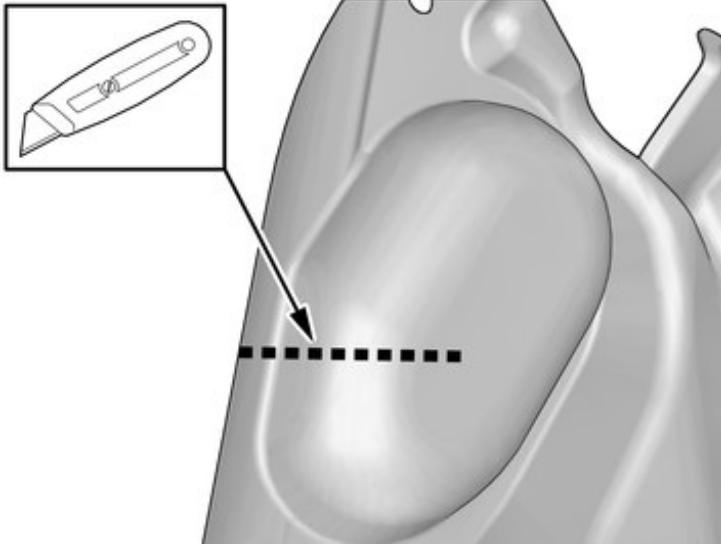
The part is not to be reused.



Installation instructions, accessories

Volvo Car Corporation Gothenburg, Sweden

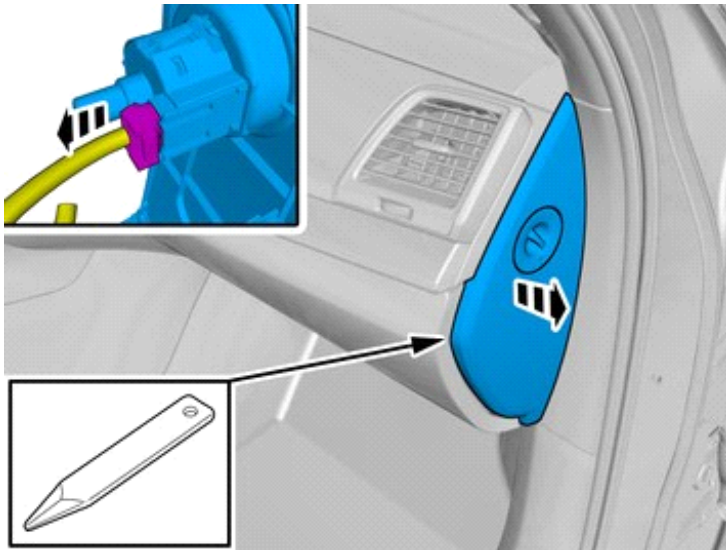
68



Make a cut in the insulation.

IMG-402286

69



Remove the panel.

Disconnect the connector, if applicable.

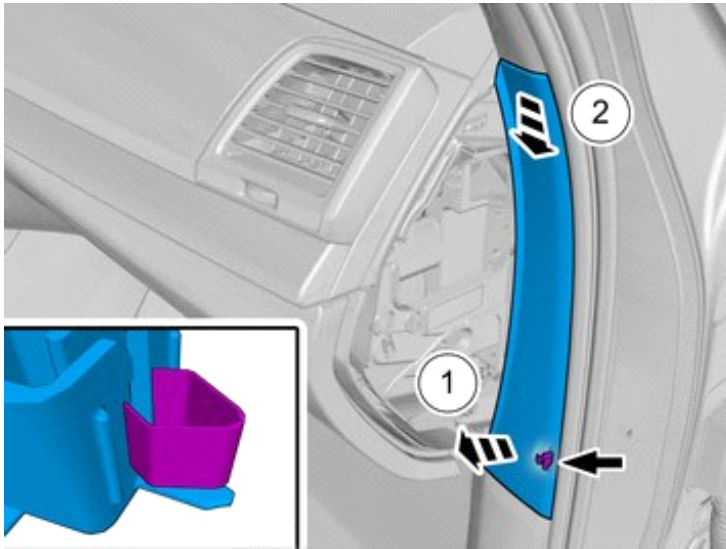
IMG-390109



Installation instructions, accessories

Volvo Car Corporation Gothenburg, Sweden

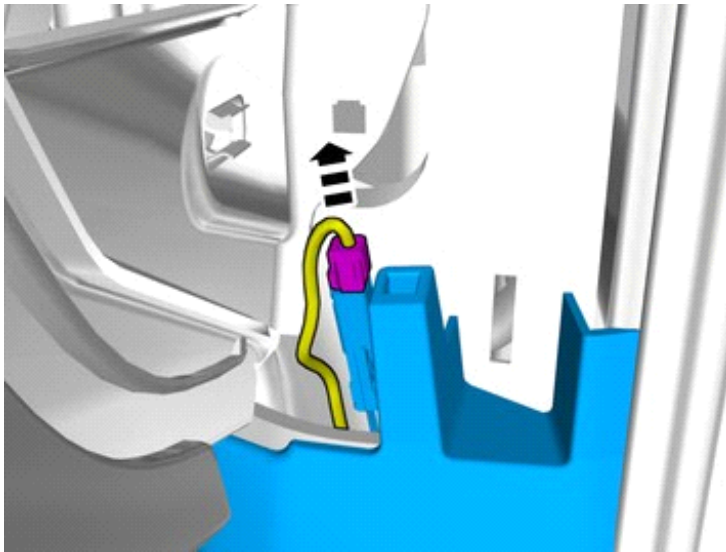
70



IMG-390116

Remove the panel.

71



IMG-390091

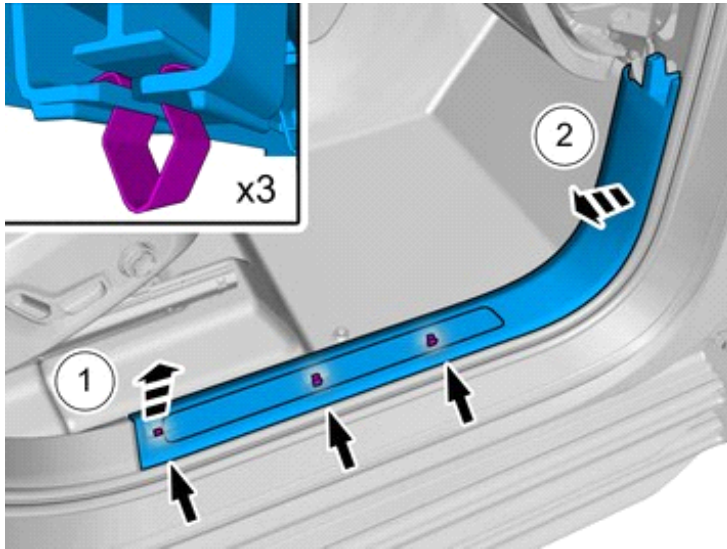
Disconnect the connector, if applicable.



Installation instructions, accessories

Volvo Car Corporation Gothenburg, Sweden

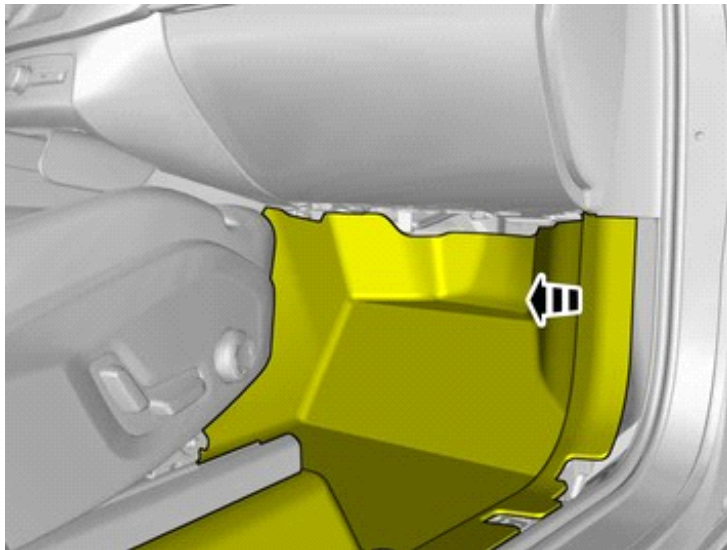
72



IMG-390106

Remove the panel.

73



IMG-386974

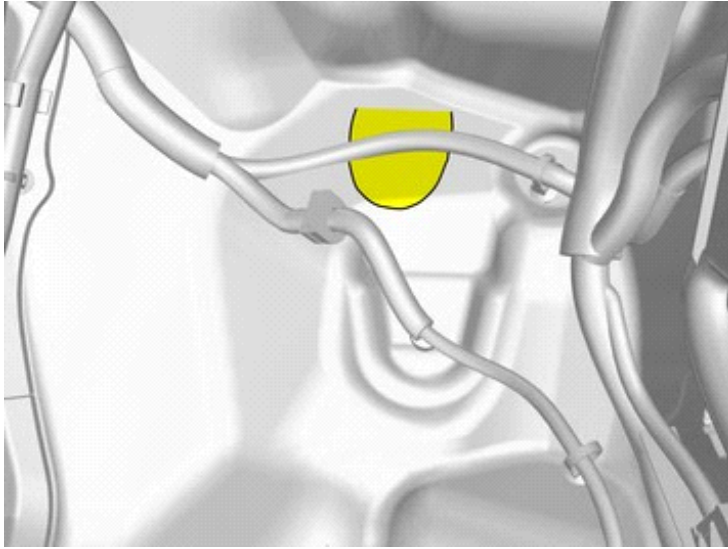
Fold the carpet to the side.



Installation instructions, accessories

Volvo Car Corporation Gothenburg, Sweden

74

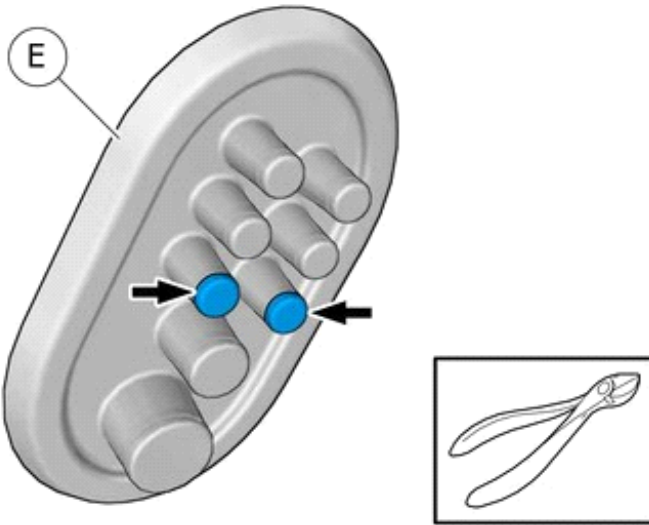


IMG-386994

Fold the insulation to one side.

Accessory installation

75



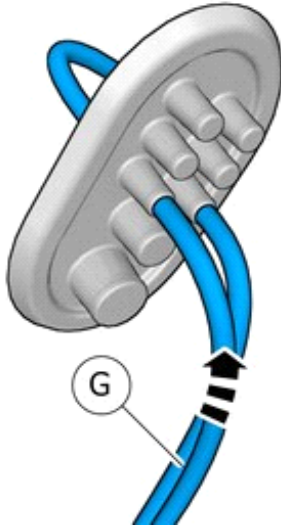
IMG-393255



Installation instructions, accessories

Volvo Car Corporation Gothenburg, Sweden

76

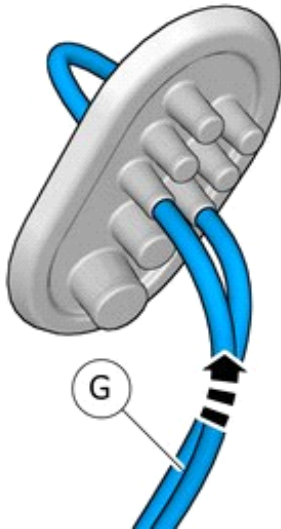


Pull the wiring through.

Use: 1161150, Lubricant

IMG-391525

77



Pull the wiring through.

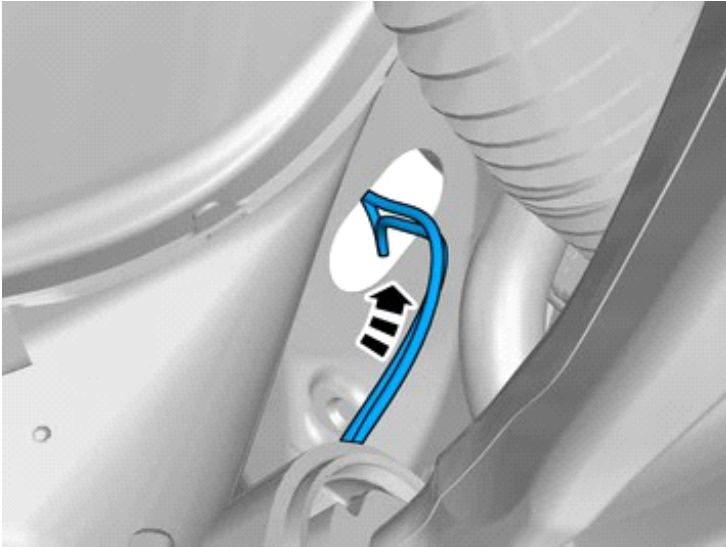
IMG-391525



Installation instructions, accessories

Volvo Car Corporation Gothenburg, Sweden

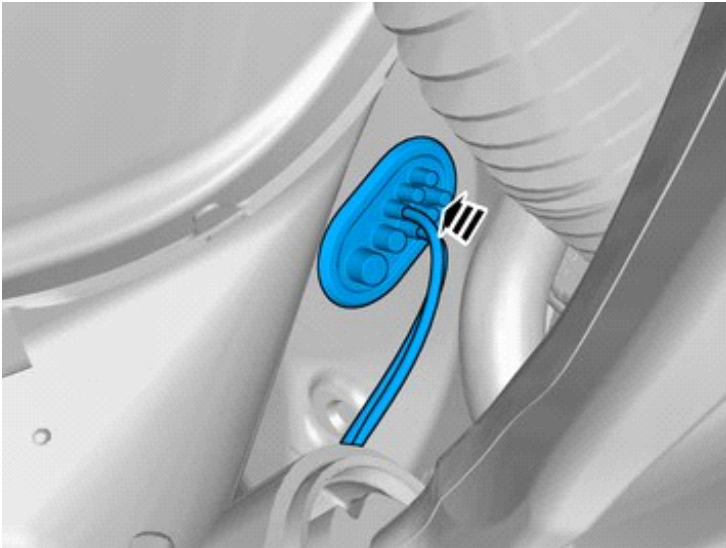
78



IMG-404391

Route the wiring harness into the passenger compartment.

79



IMG-404405

Caution!

Make sure that the rubber grommet seals properly to the body.

Insert the cable in to the passenger compartment, adjust the cable length out into the engine compartment and secure the rubber grommet.

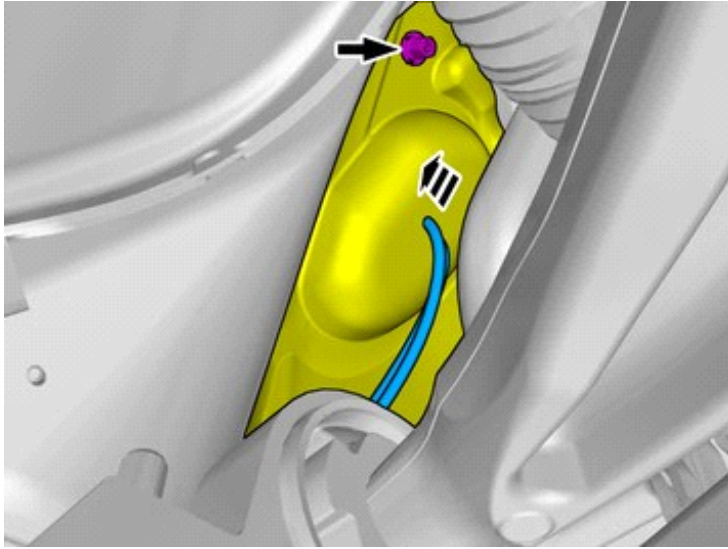
Installation



Installation instructions, accessories

Volvo Car Corporation Gothenburg, Sweden

80

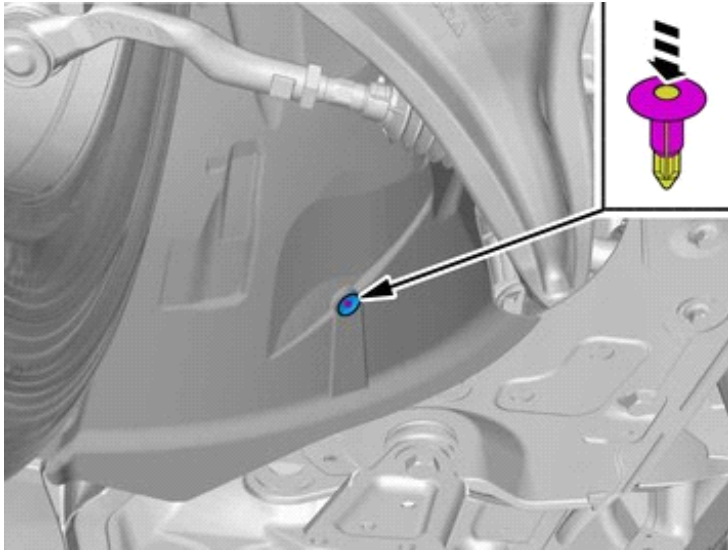


IMG-404406

Refit the insulation.

Install the nut.

81



IMG-404385

Reinstall the removed part.

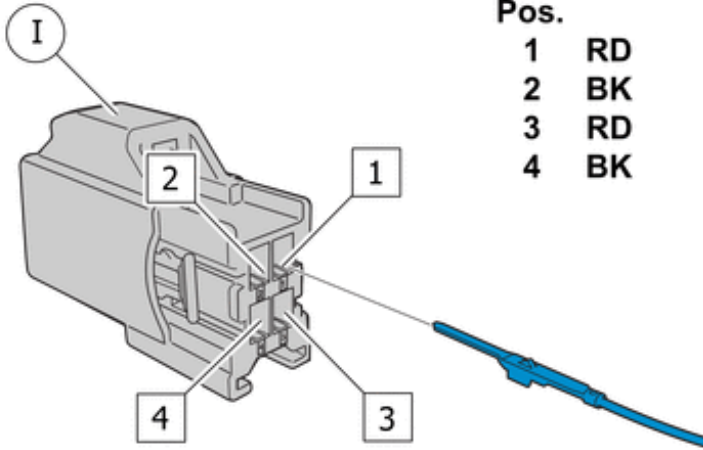
Accessory installation



Installation instructions, accessories

Volvo Car Corporation Gothenburg, Sweden

82



Pos.	
1	RD
2	BK
3	RD
4	BK

Note!
Orientation view

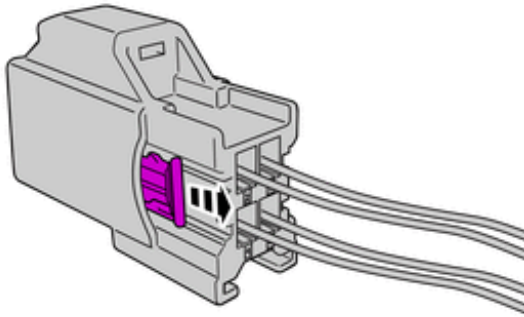
Note the position.

Connect the cable harness.

IMG-404520

83

Depress the secondary lock.



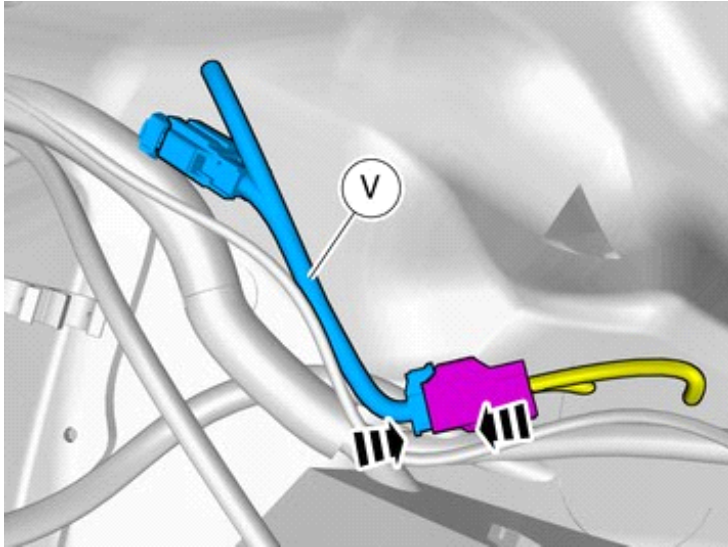
IMG-404540



Installation instructions, accessories

Volvo Car Corporation Gothenburg, Sweden

84

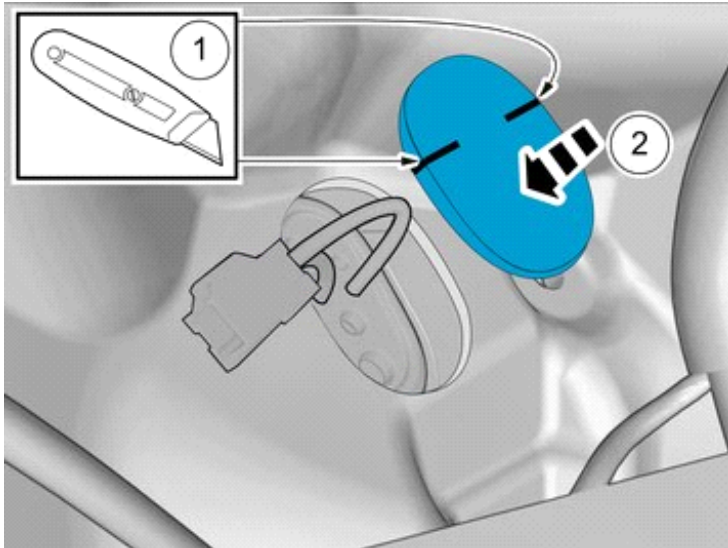


IMG-40462

Note!

This step is only necessary if the component in the graphic is included in the accessory kit.

85



IMG-387934

1. Make a cut in the insulation.
2. Refit the insulation.

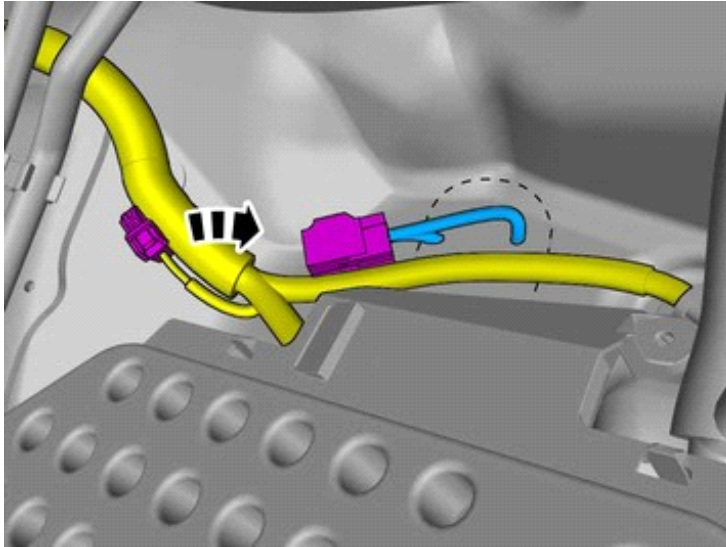
Vehicles with pre-routed wiring harness (variant code 2902)



Installation instructions, accessories

Volvo Car Corporation Gothenburg, Sweden

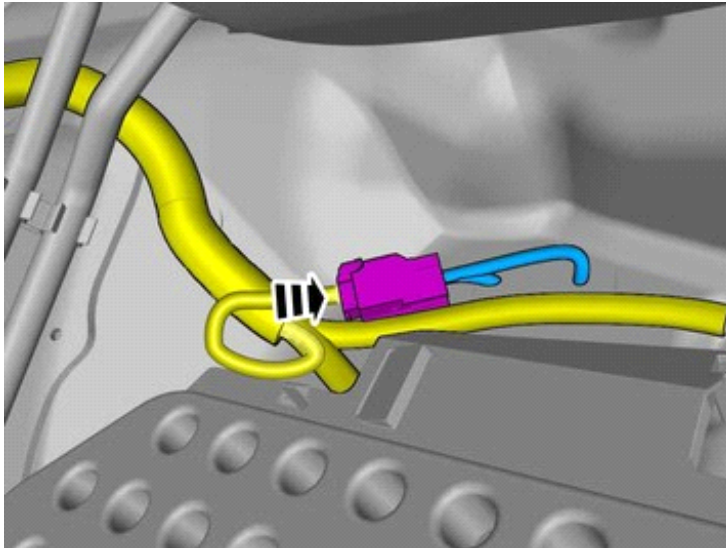
86



IMG-396505

Locate the existing connector in the vehicle's cable harness.

87



IMG-396523

Connect the connector.

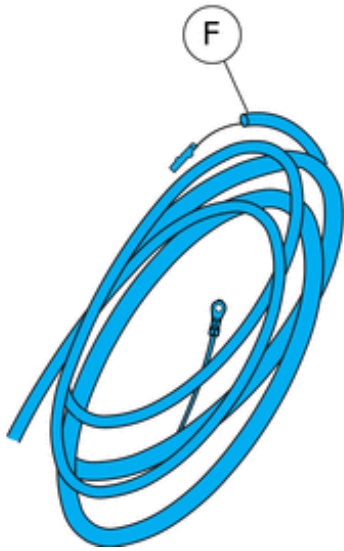
Vehicles without pre-routed wiring harness (variant code 2091)



Installation instructions, accessories

Volvo Car Corporation Gothenburg, Sweden

88

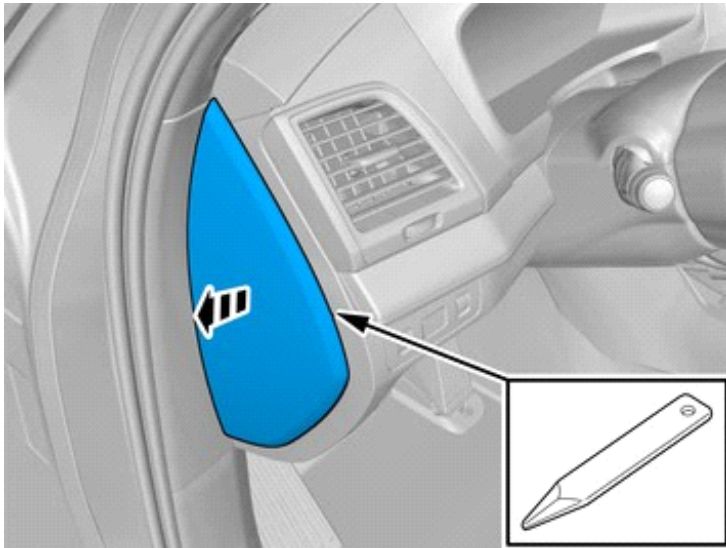


Note!
Orientation view

IMG-404505

Removal

89



Remove the panel.

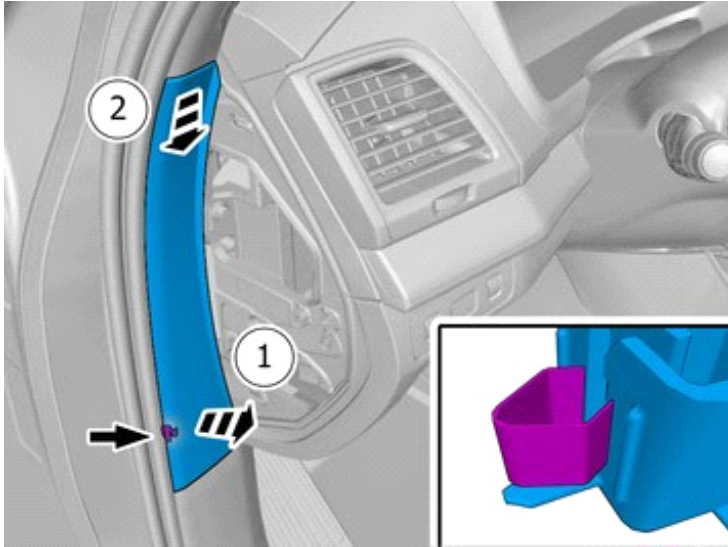
IMG-398045



Installation instructions, accessories

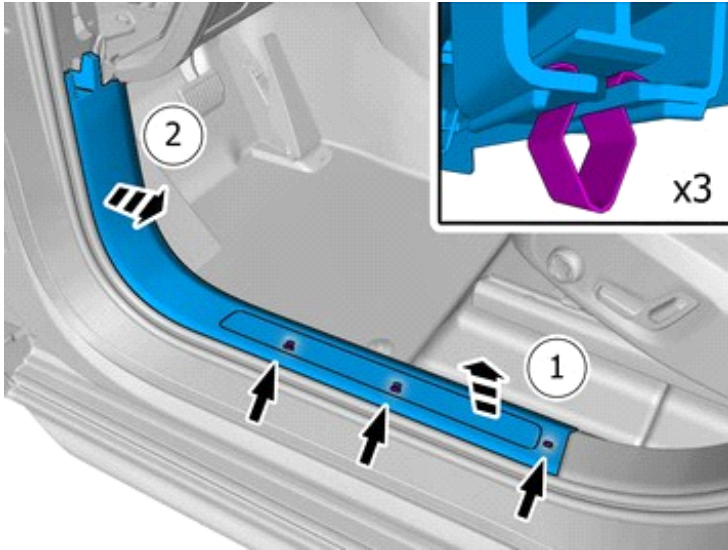
Volvo Car Corporation Gothenburg, Sweden

90 Remove the panel.



IMG-398044

91 Remove the panel.



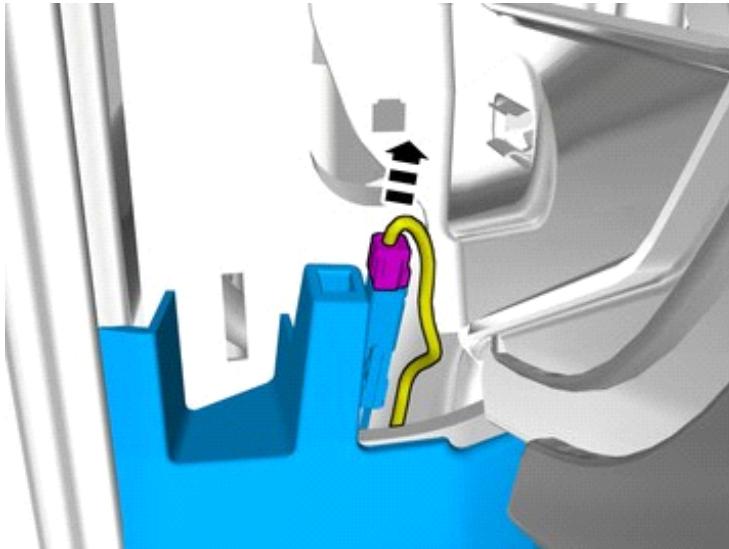
IMG-398043



Installation instructions, accessories

Volvo Car Corporation Gothenburg, Sweden

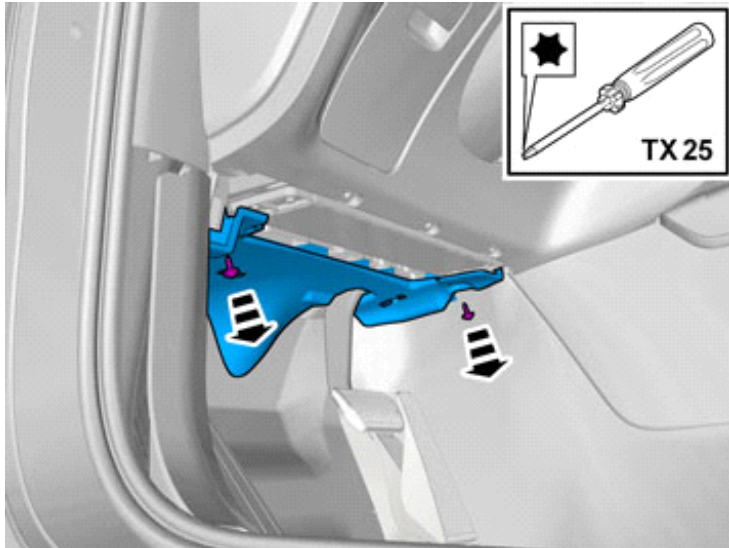
92



IMG-398030

Disconnect the connector, if applicable.

93



IMG-383314

Remove the screws.

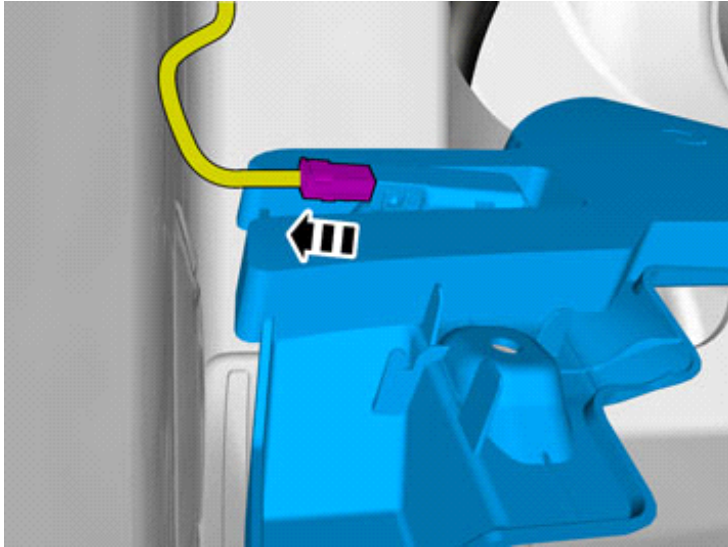
Detach the panel.



Installation instructions, accessories

Volvo Car Corporation Gothenburg, Sweden

94

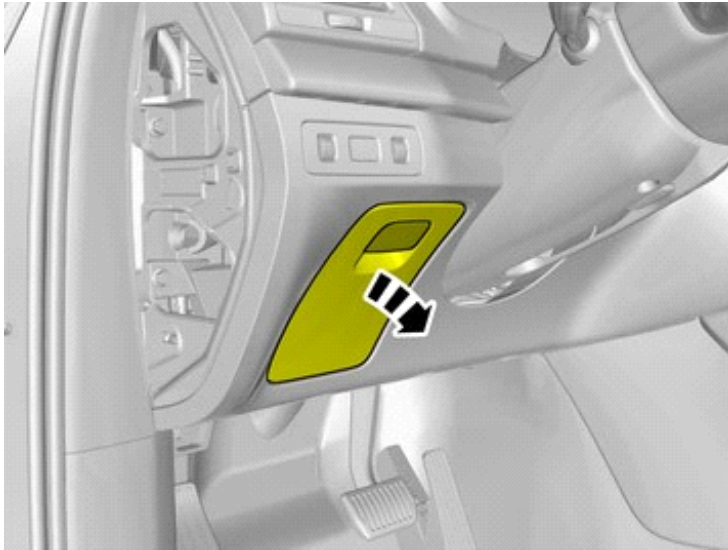


IMG-383315

Disconnect the connector.

Remove the panel.

95



IMG-387085



Installation instructions, accessories

Volvo Car Corporation Gothenburg, Sweden

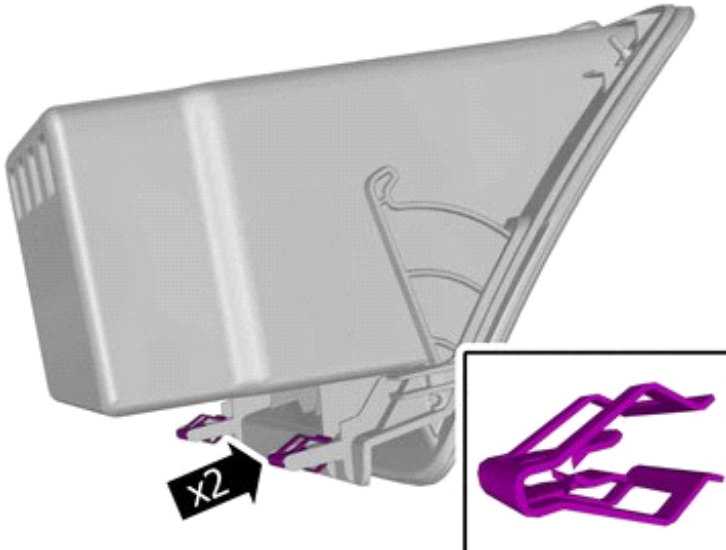
96



IMG-387086

Remove the screws.

97



IMG-403400

Note!

The graphic shows the back of the component before removal.



Installation instructions, accessories

Volvo Car Corporation Gothenburg, Sweden

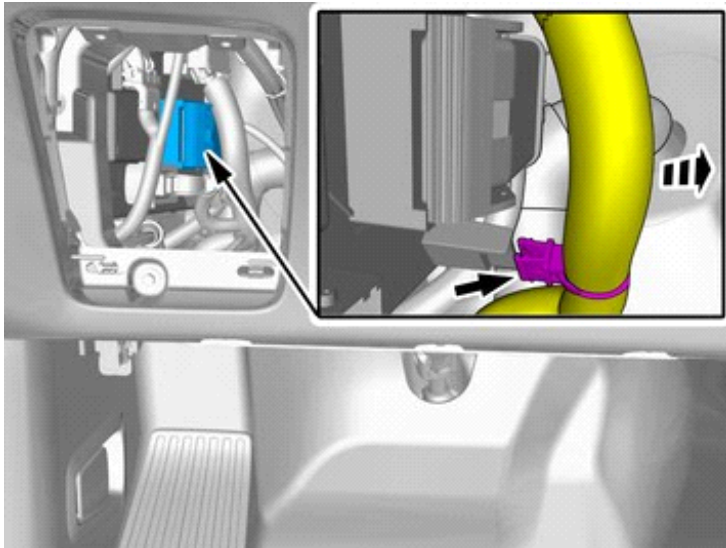
98



IMG-387107

Remove the marked part.

99



IMG-407635

Loosen the clip.

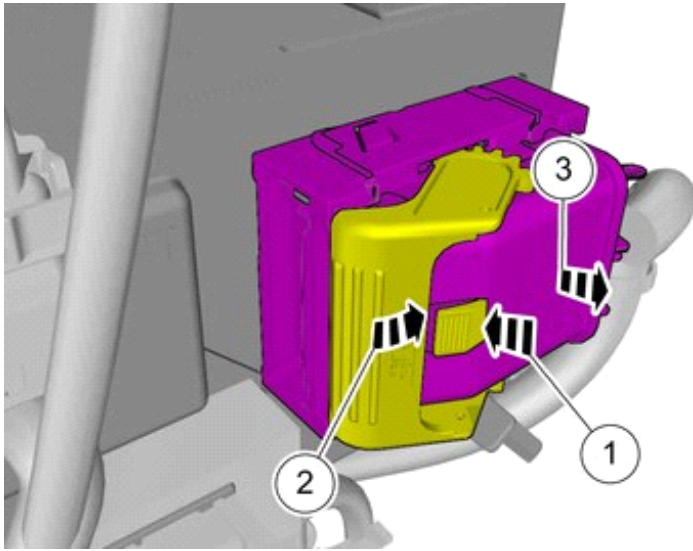
Fold marked part to one side.



Installation instructions, accessories

Volvo Car Corporation Gothenburg, Sweden

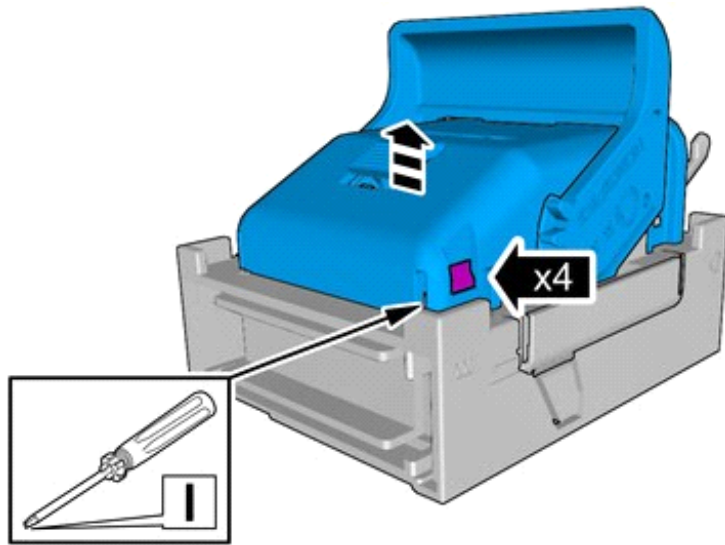
100



IMG-387415

1. Depress the locking device.
2. Release the connector's catch.
3. Disconnect the connector.

101



IMG-387423

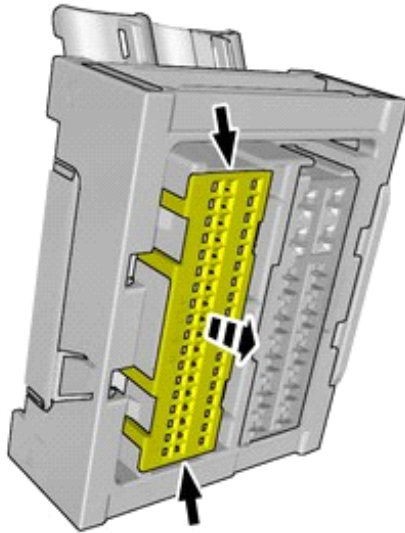
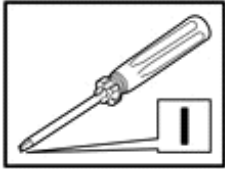
- Release the catches.
Remove the marked part.



Installation instructions, accessories

Volvo Car Corporation Gothenburg, Sweden

102



Release the connector's secondary lock.

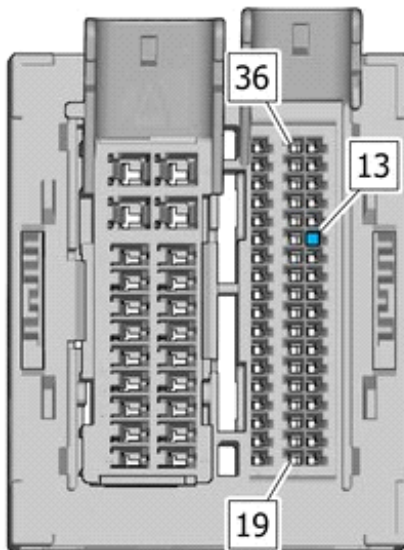
Lift approximately 2 mm.

IMG-400415

Accessory installation

103

Pos.
13 RD



Connect the prerouted cable.

Connect the cable harness terminals in the connector as follows.

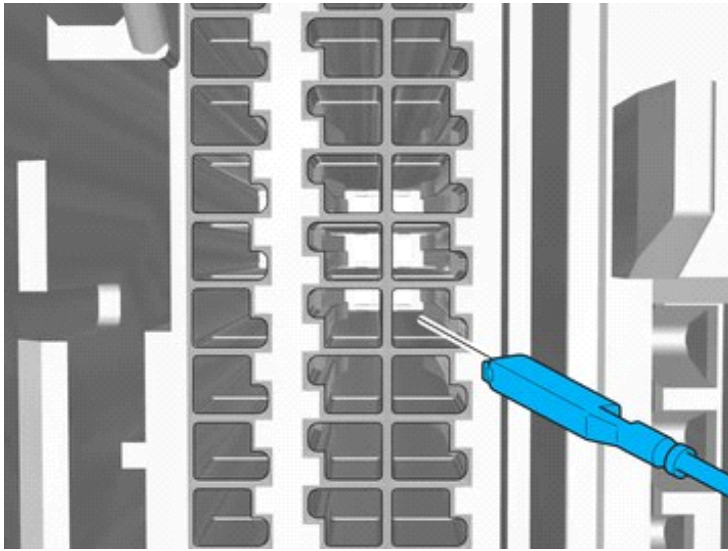
IMG-387948



Installation instructions, accessories

Volvo Car Corporation Gothenburg, Sweden

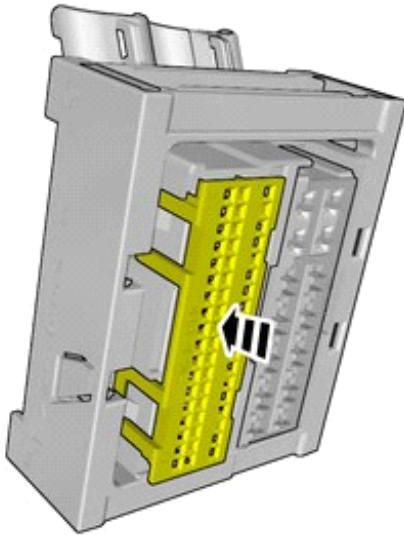
104



IMG-387465

Note!
Note the position.

105



IMG-400383

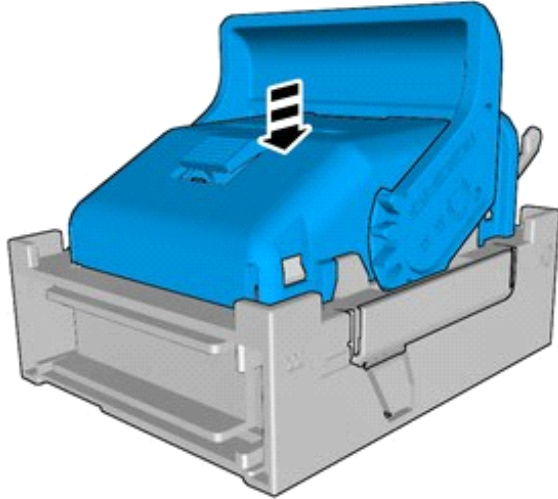
Depress the secondary lock.



Installation instructions, accessories

Volvo Car Corporation Gothenburg, Sweden

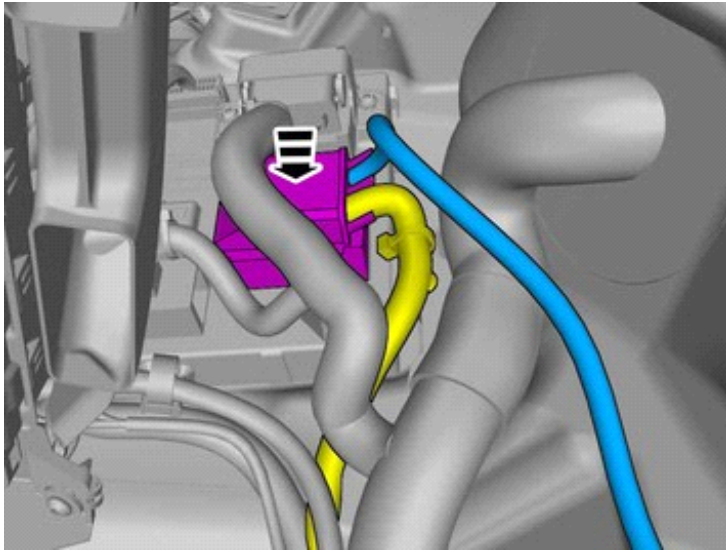
106



Reinstall the removed part.

IMG-387424

107



Connect the connector.

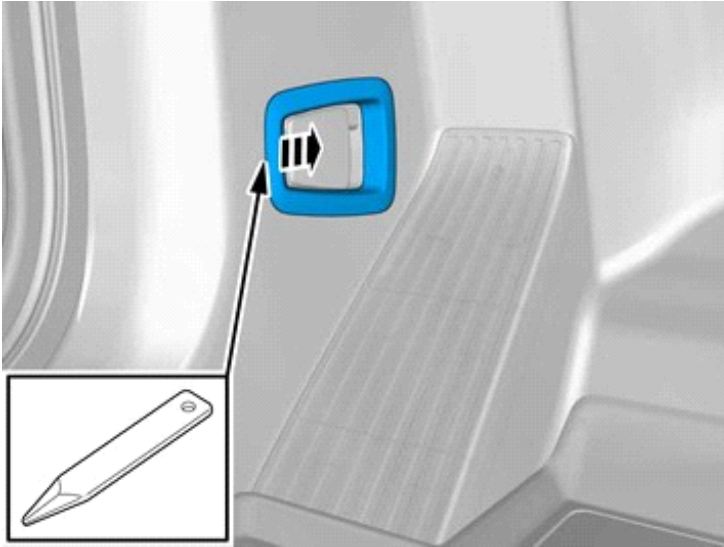
IMG-393020



Installation instructions, accessories

Volvo Car Corporation Gothenburg, Sweden

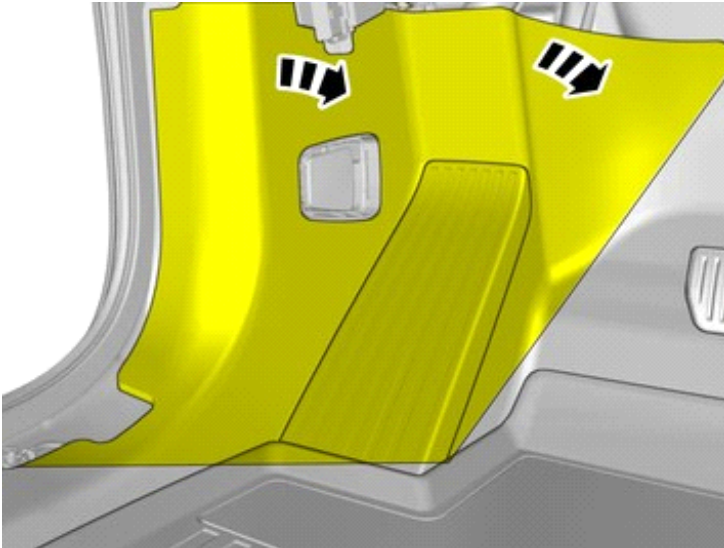
108



IMG-388280

Remove the marked part.

109



IMG-388299

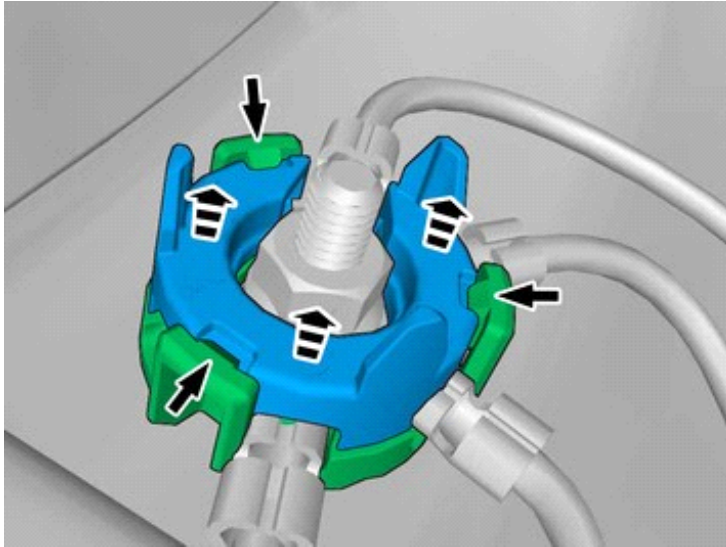
Fold the carpet to the side.



Installation instructions, accessories

Volvo Car Corporation Gothenburg, Sweden

110

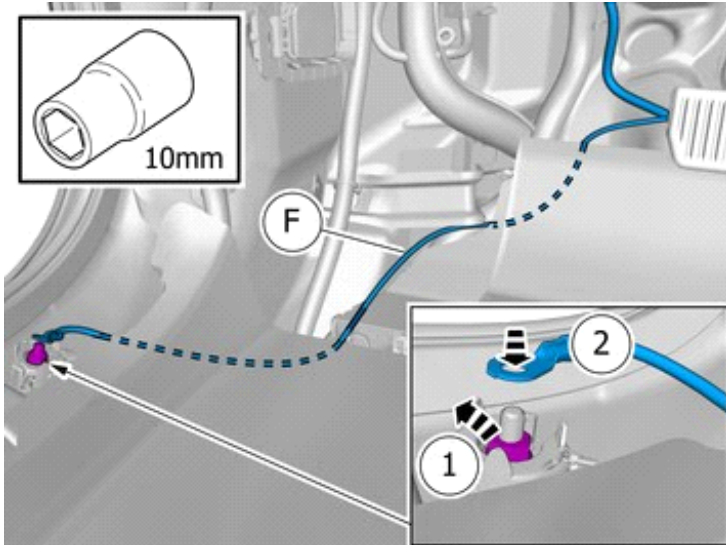


IMG-397643

Release the catches.

Remove the marked part.

111



IMG-393258

Ground connection

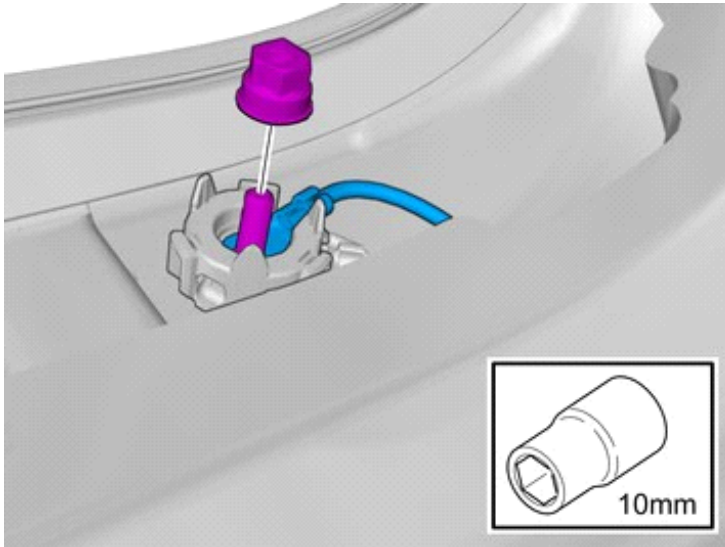
1. Remove the nut.
2. Connect the cable.



Installation instructions, accessories

Volvo Car Corporation Gothenburg, Sweden

112

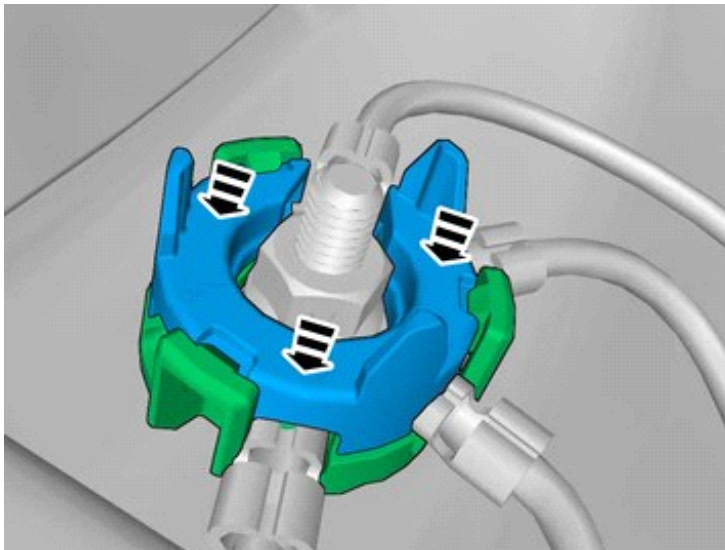


IMG-388368

Install the nut.

Tightening torque: M6 , 10 Nm

113



IMG-397646

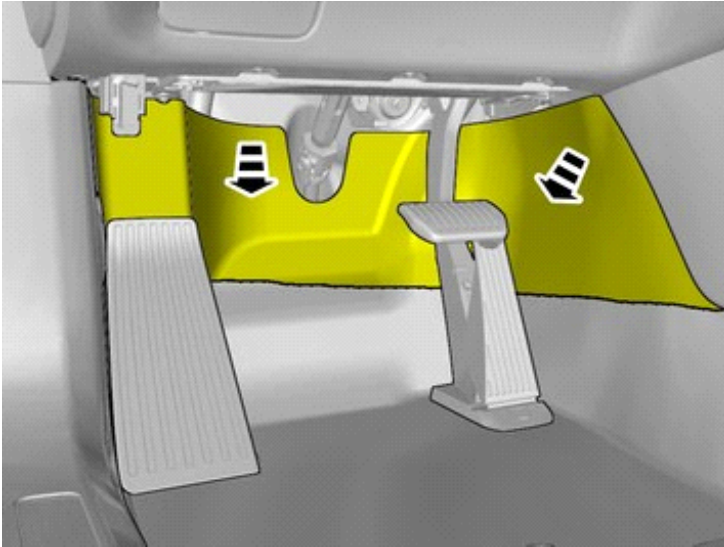
Reinstall the removed part.



Installation instructions, accessories

Volvo Car Corporation Gothenburg, Sweden

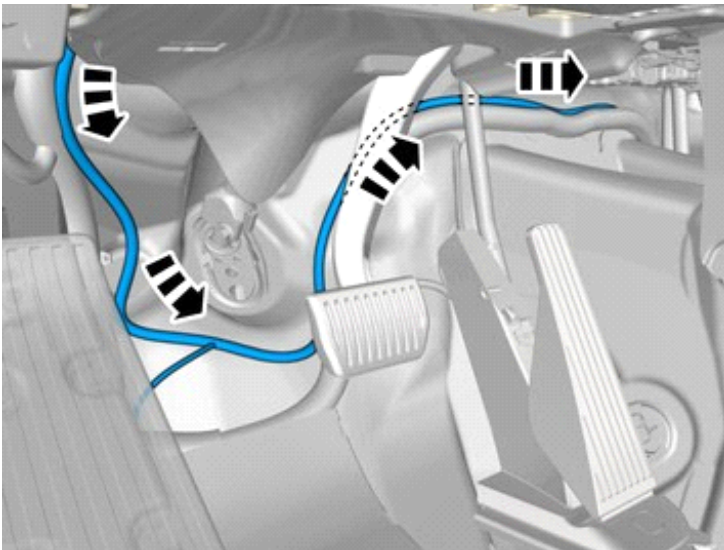
114



IMG-386826

Fold the carpet to the side.

115



IMG-387783

Position/route the cable harness as illustrated.

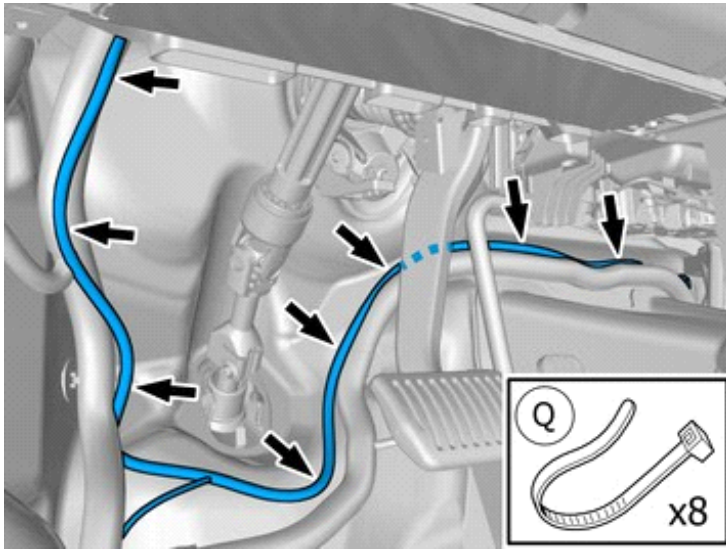
Route the wire adjacent to existing wirings.



Installation instructions, accessories

Volvo Car Corporation Gothenburg, Sweden

116

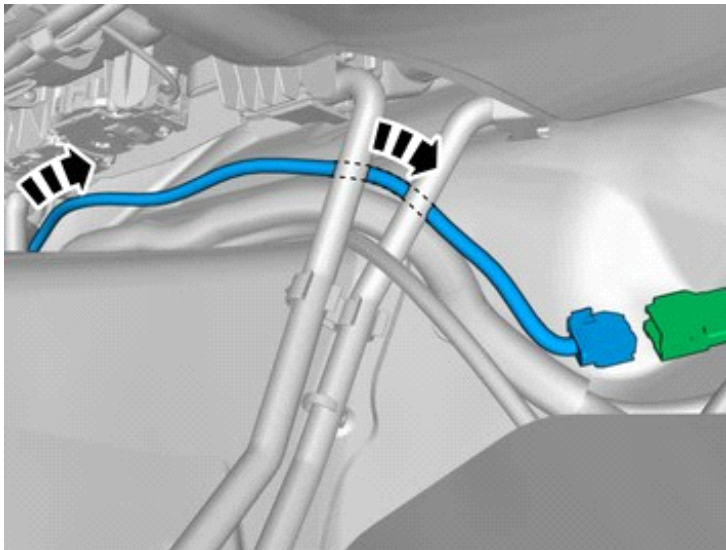


IMG-404490

Install the wiring harness.

Use a cable tie

117



IMG-387776

Position/route the cable harness as illustrated.

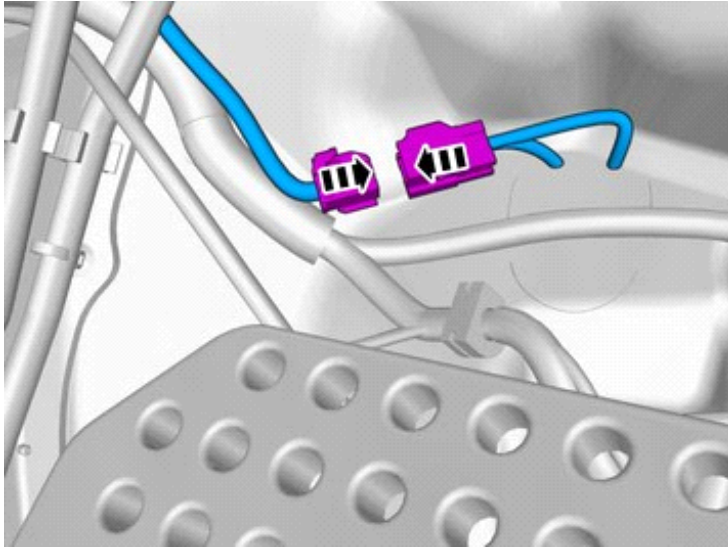
Route the wire adjacent to existing wirings.



Installation instructions, accessories

Volvo Car Corporation Gothenburg, Sweden

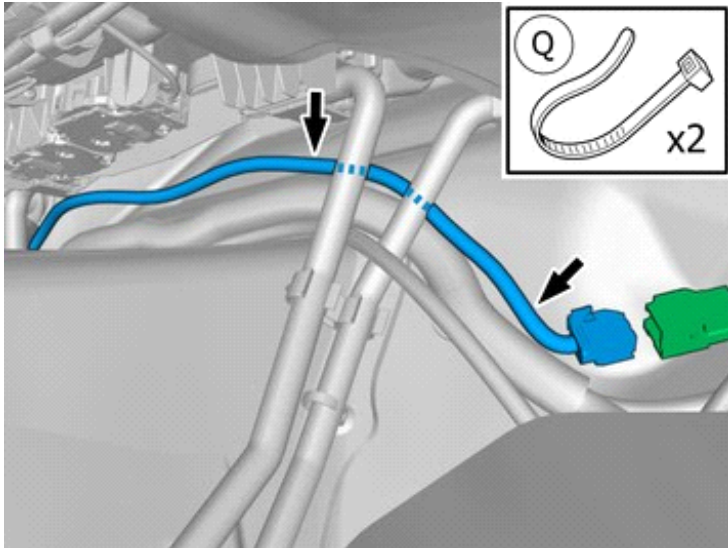
118



IMG-385213

Connect the connector.

119



IMG-404491

Install the wiring harness.

Use a cable tie

Attach any excess wire to the wiring harness.

All vehicles

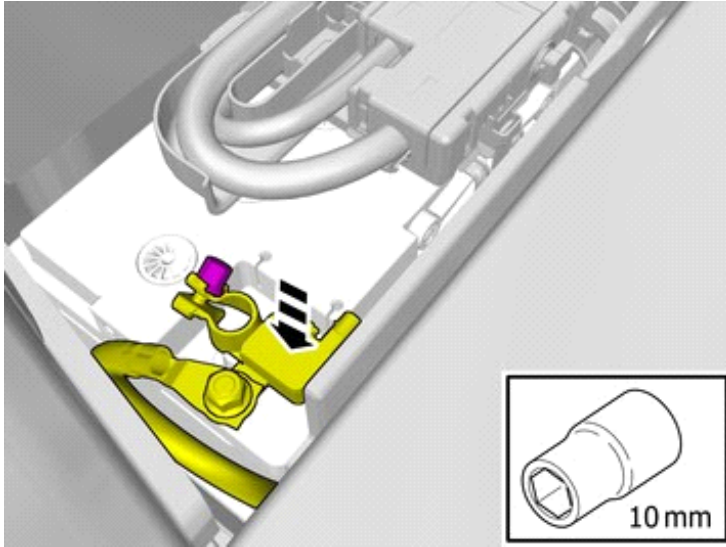
Connecting the battery



Installation instructions, accessories

Volvo Car Corporation Gothenburg, Sweden

120

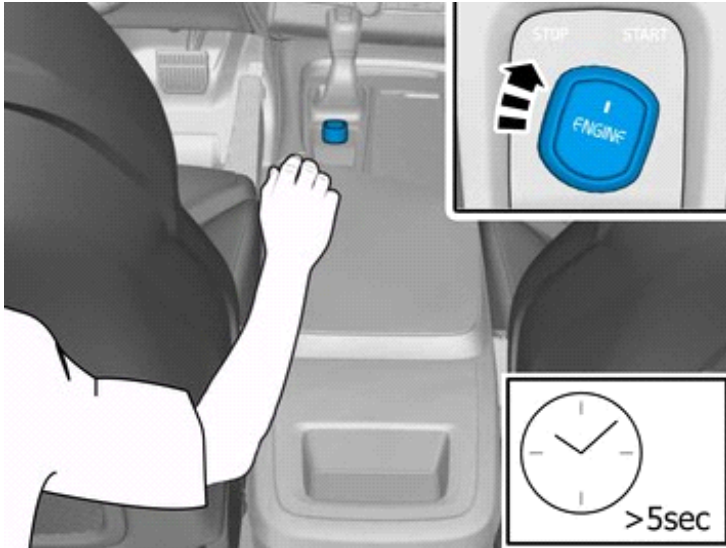


IMG-394580

Reinstall the battery's negative cable.

Tightening torque: Battery cable for battery , 6 Nm

121



IMG-394531

Warning!

The first time the vehicle is activated after the battery has been disconnected, this must be performed from the rear seat, avoid the work area for the air bags.

Installation



Installation instructions, accessories

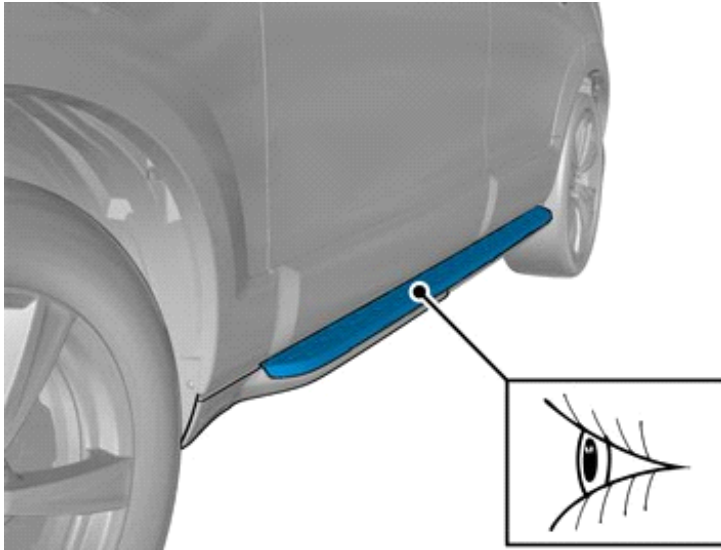
Volvo Car Corporation Gothenburg, Sweden

122

Reinstall the removed parts in reverse order.

IMG-377070

123



IMG-401100

Note!

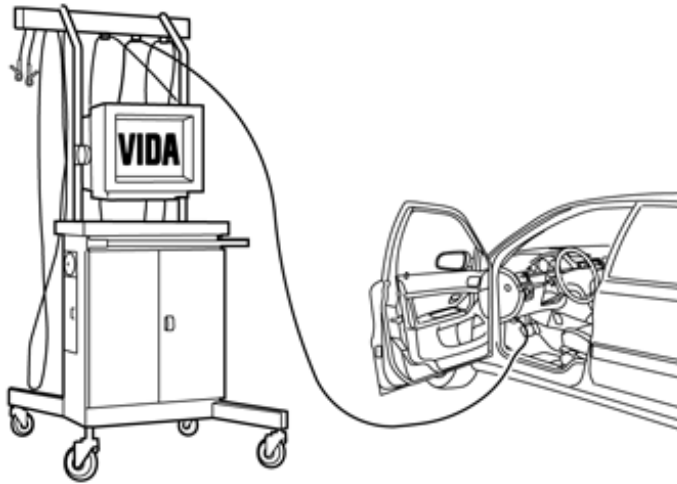
Make sure that the component is clean and free of foreign material.



Installation instructions, accessories

Volvo Car Corporation Gothenburg, Sweden

124



Download software (application) for the accessory's function according to the service information in VIDA.

Order and download software according to: 31414888

IMG-242268