

INSTALLATION INSTRUCTION

ITEM NO.: 0920

DESCRIPTION: 2.5" NUDGE BAR FOR FORESTER 03-13

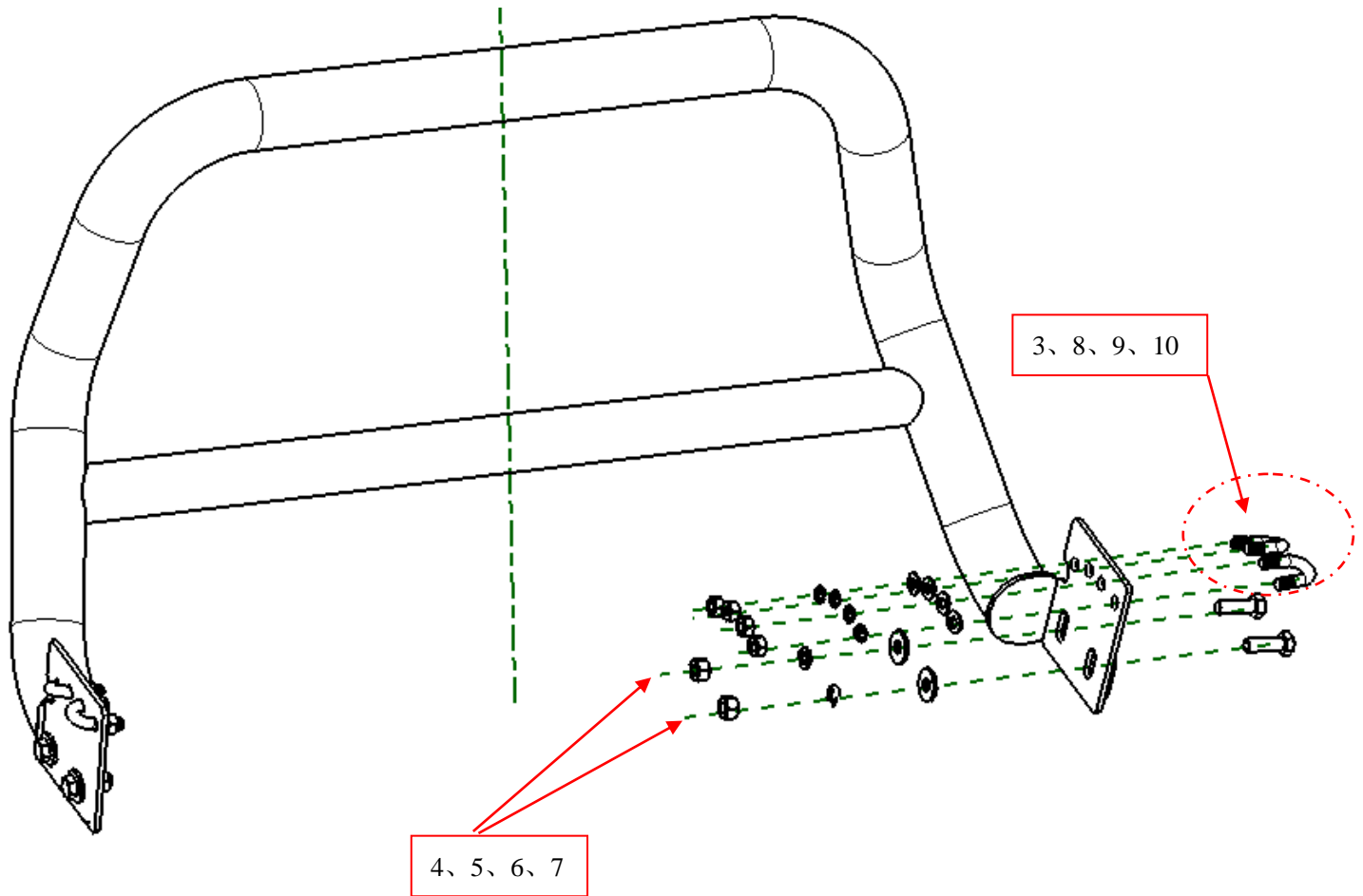
Attention:

- Please read this installation menu before installing this part. Protect your car properly in case there is any scratch might have.
- You may need to periodically to re-tighten all hardware for safety use after installation.
- Installation pictures are only for your reference, there might be some differences between pictures and real parts but no affect for your fitting.

PART LIST

NO.	NAME	QTY	REMARK	NO.	NAME	QTY	REMARK
1	Bull Bar	1		7	Hexagon Nut	4	M12
2	Bracket	2		8	Hexagon Nut	8	M10
3	U Bolt	4		9	Spring Washer	8	$\phi 10$
4	Hexagon Bolt	4	M12x35	10	Flat Washer	8	$\phi 10 \times 20 \times 2.0$
5	Spring Washer	4	$\phi 12$				
6	Large Washer	8	$\phi 12 \times 30 \times 3.0$				

INSTALLATION PICTURE



Disclaimer: Caused due to improper installation initiates or some related problem and losses, are beyond our company's quality assurance.

