







# INSTALLATION MANUAL

**PRODUCT NAME: Side Bar for 21+ Ford Bronco (4 doors)**

## 1、NOTICE:

- For the convenience of installation, please read the goods manual carefully before installation; When installation, please pay attention to protect your car's surface, and avoid scratches.
- Please check all the accessories connected to the car whether loose or not, and ensure the security. Clean the side bar regular to keep it clean.
- All the pictures in this manual are only for reference, the picture and material object may have different, but the installation method is the same.

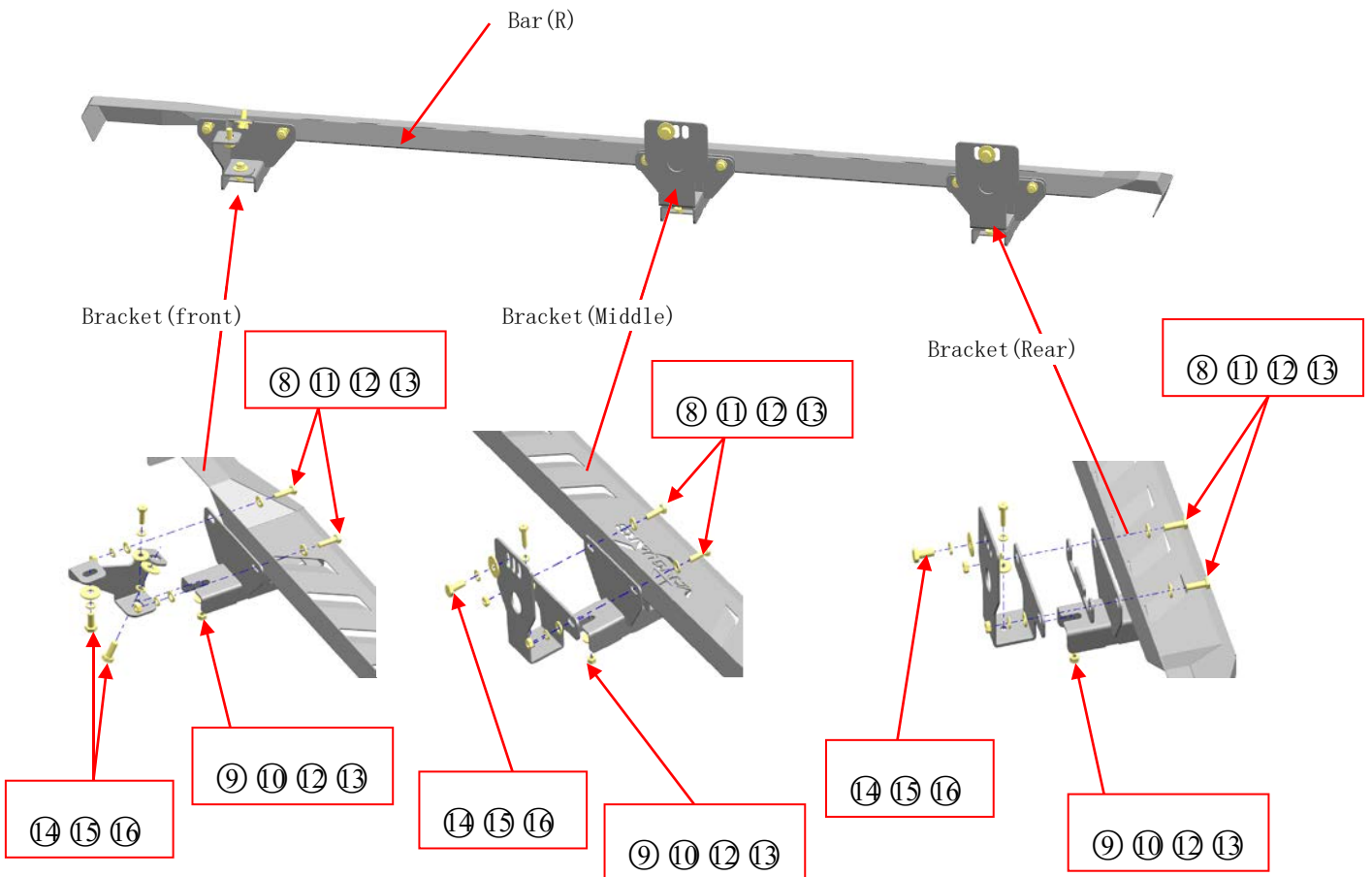
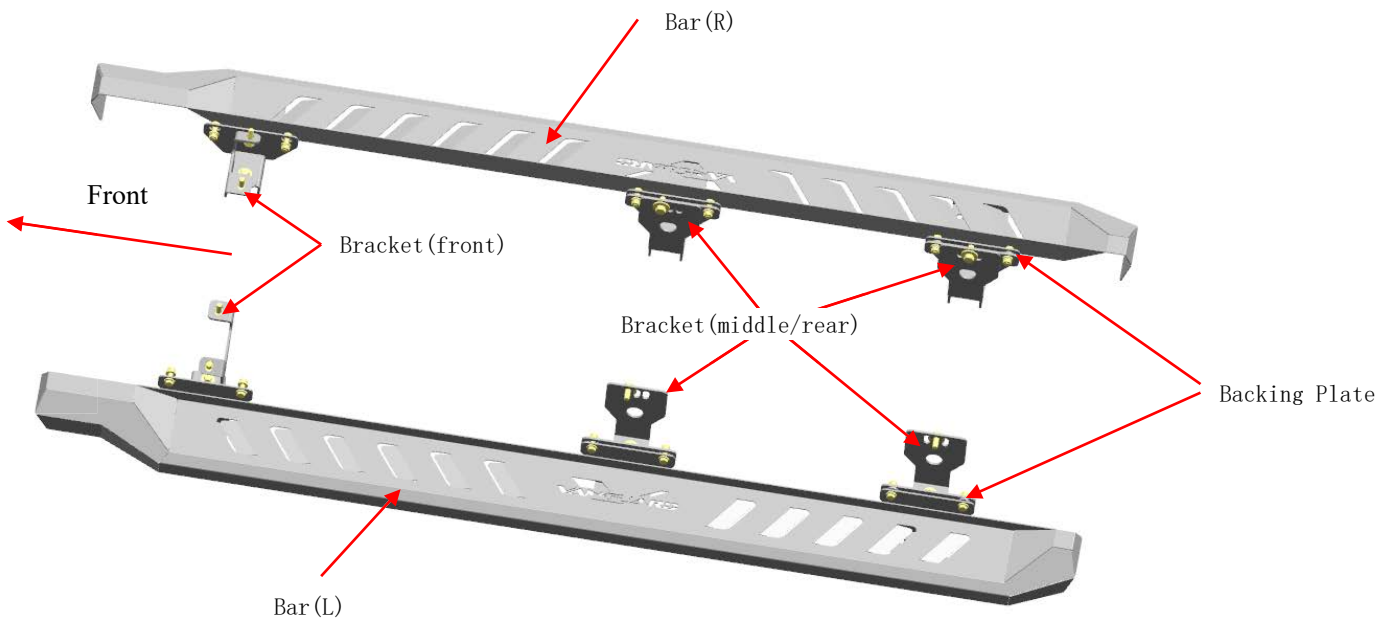
## 2、PART LIST

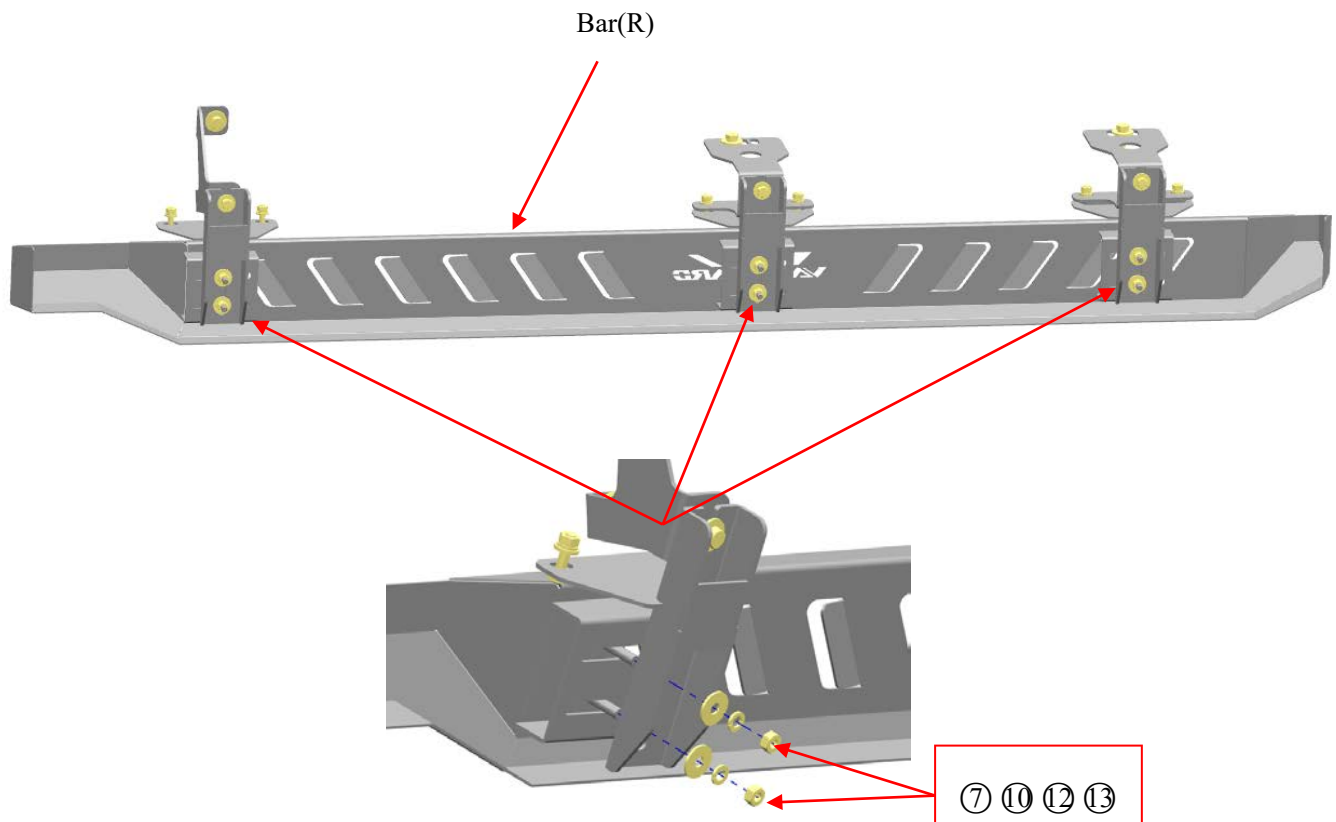
NO.	Description	QTY	SIZE	NO.	Description	QTY	SIZE
①	Bar (R)	1		④	Bracket (middle/rear)	4	
②	Bar (L)	1		⑤	Bracket	6	
③	Bracket (front)	2		⑥	Backing Plate	2	

REMARK: The same installation for both bracket.

NO.	Description	QTY	SIZE	NO.	Description	QTY	SIZE
A、	Hardware 1	1		⑫	Spring Washer	30	D8
⑦	T Bolt	6	M8*30	⑬	Hex Nut	30	M8
⑧	Hex Bolt	12	M8*30	⑭	Hex Bolt	8	M10*25
⑨	Hex Bolt	6	M8*25	⑮	Flat Washer	8	D10*30
⑩	Flat Washer	24	D8*25	⑯	Spring Washer)	8	D10
⑪	Flat Washer	24	D8*18				

### 3、INSTALLATION MA





4、INSTALLATION PROCEDURE:

Step 1: Refer to the parts list and parts diagram and check accessories are complete or not.

Step 2: For the quickly of installation, according with bracket installation map distinguishes left and right, then tight the bracket is finished.

Step 3: Remove the Mud from bottom, fixing the bracket on the bottom.

Step 4: Double check the accessories are complete and tighten.

5、 Disclaimer: Caused due to improper installation initiates some related problem and losses, are beyond our company's quality assurance.