

Retractable Tonneau Cover Installation Guide



Components

- | | | |
|-----------------------|-----------------------|-----------------------|
| Main cover x1 | C1 M6 slide nuts x 6 | E3 M8 flat washer x 6 |
| Rails x2 | C2 M6 screws x 6 | E4 M8 nuts x 6 |
| Cover panel x 1 | C3 M6 flat wahser x 6 | F1 Wrench x1 |
| I/J/K Foam roll x 3 | C4 M6 lock washer x 6 | F2 Plastic cap x 6 |
| A Clamp x6 | C5 M6 nuts x 6 | F3 M5 screws x 6 |
| B1 Wrench x1 | D1 M8 screws x 6 | F4 Plastic washer x 6 |
| B2 M6 lock washer x 4 | D2 M8 nuts x 6 | L1 Drain clip |
| B3 M6 flat wahser x 4 | D3 Rubber pad x 6 | L2 Drain Rubber |
| B4 M6 nuts x 4 | E1 M8 screws x 6 | H Drain Tube x4 |
| | E2 M8 lock washer x 6 | |



Key for lock x2
 (Keys are inside the plastic wrap on the strap hanging from the front of cover. 2 keys for lock)

CAUTION: Over torquing hardware may damage components.

Parts Diagram

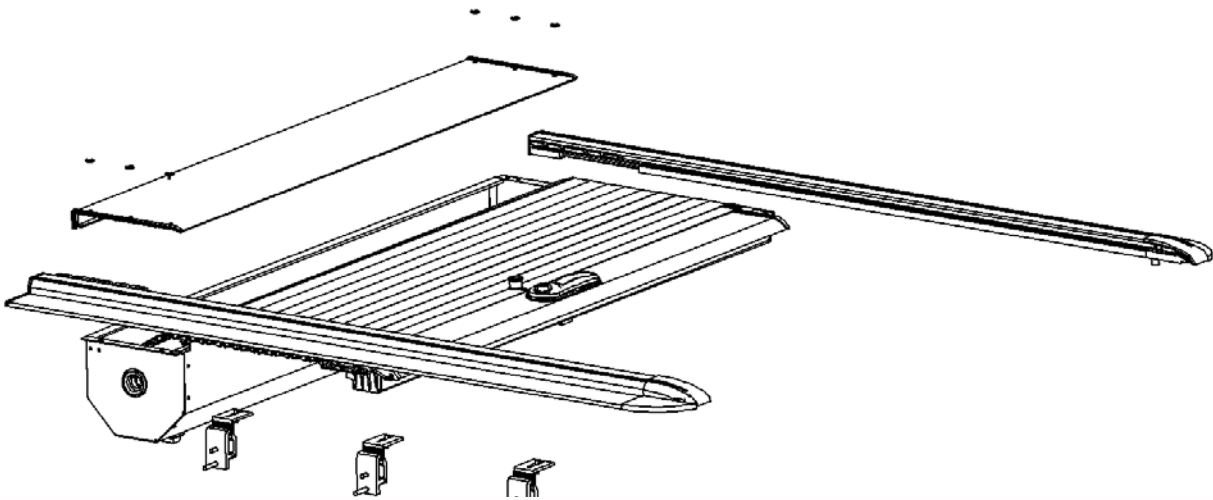


FIG 2

A

1 B1 B2 B3 B4

2 C1 C2 C3 C4 C5

3 D1 D2 D3

4 E1 E2 E3 E4

5 F1 F2 F3 F4

10 G1



1 Apply foam (Part 1)

Apply the thicker foam roll **I** on the front of the truck bed. See photo



Apply the thicker foam roll **J** on the front of the truck bed. See photo



2 Apply foam (Part 2)

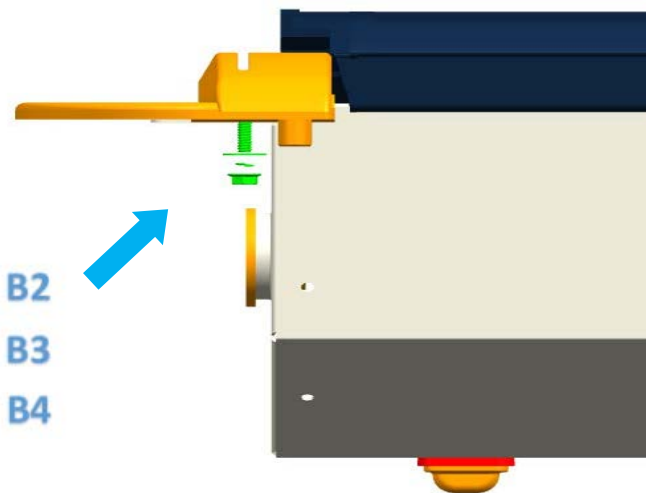
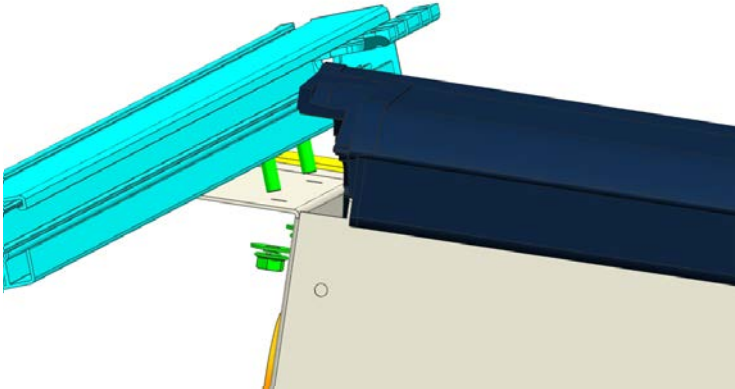
Apply the wider foam roll **K** on the front of the cover, across the white bar as shown. Both foam rolls are applied to ensure full waterproof function of the item. See photo



Install rails

Install the rails onto the cover.

*Note: Slide the lock panel into the rail
And clip the bolt right into the two hole on the side of
the main cover, see photo.*



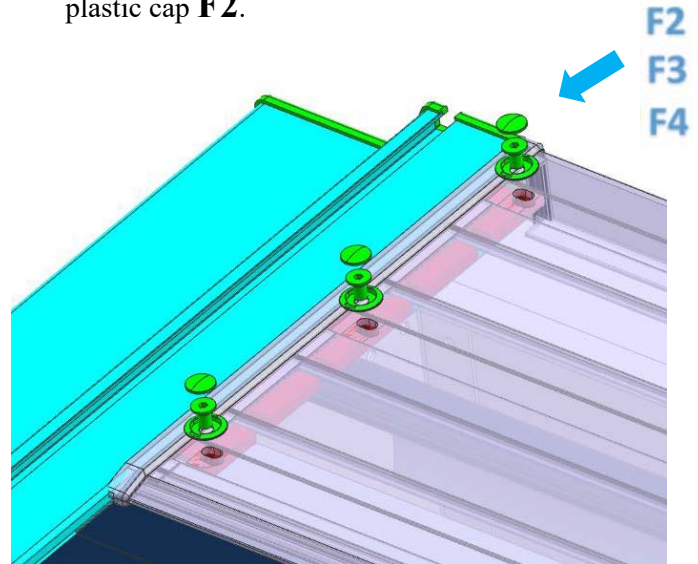
Lock rails

Lock the rails onto the cover. Clip the rail on the main cover and make sure the lock panel is inside of the rail. Then check parts in the [bag 1](#), you will need to make sure 4 nuts are built as pictured, then use the wrench to lock nuts into the rails.



Lock Cover panel

Lock the cover panel onto the rail. First, Align openings on the cover panel with those on the sides of the rails. Then check parts in the [bag 7](#), you will need to make sure plastic cap and screws are built as pictured, then use the wrench **F1** to lock M5 screws **F3** and plastic washer **F4** into the rails. Then attach the clip on the plastic cap **F2**.



Adjust rail

(Part 1)

Lift the cover and set down on the truck bed, push it forward, all the way to the front of the bed underneath the cab window, the front of the cover should sit above the foam you applied.

Adjust the cover rail to the right position of the tailgate. The rail should cover the tailgate about 20mm-25mm.

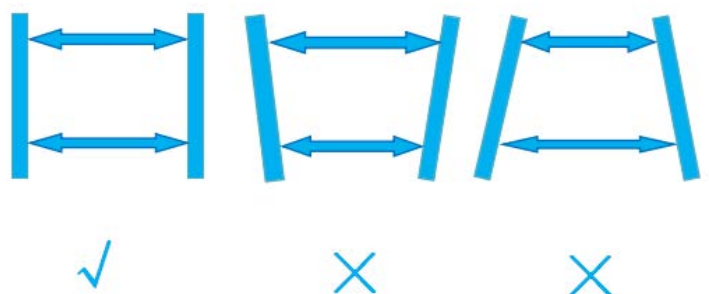
And then stick the wider foam on the back of the truck.



Adjust rail

(Part 2)

Install the distance bar to check rail position. Insert the distance bar as below, make sure the distance bar reach the end cab of rail. Make sure the two rails are parallel. After checking, **Don't remove distance bar until finishing the installation of the rear clamp of the rail.**



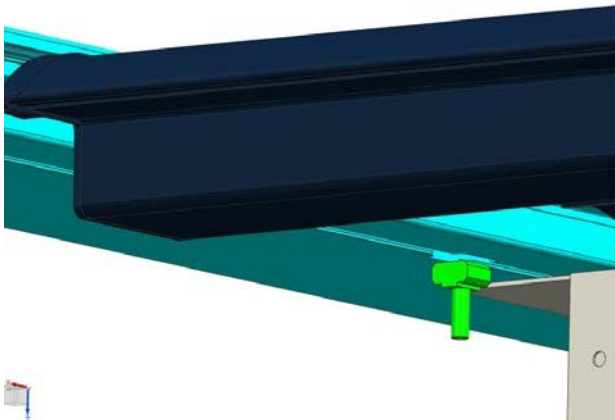
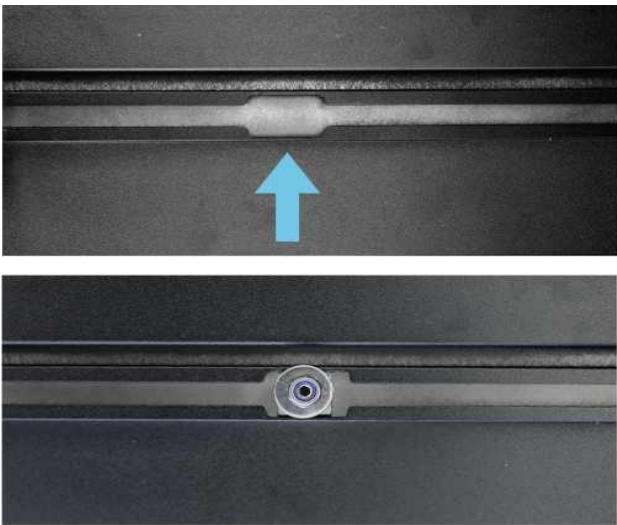
Clamp prep work (6 extra C3 washers)

by the clamps. Add C1 nut onto the one C2 screw as pictured. Do this 6 times.



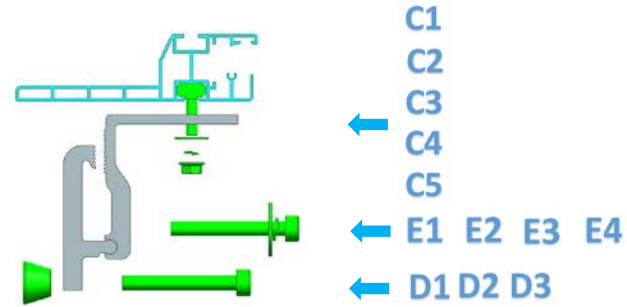
Assemble the bolts needed

Now check under the rail for another groove and a single opening on the groove. Insert 3 of the assembled bolts into the opening one at a time, and slide them towards the front, middle, and the back of the rail. Do this for the other rail. Clamps will go on these places.

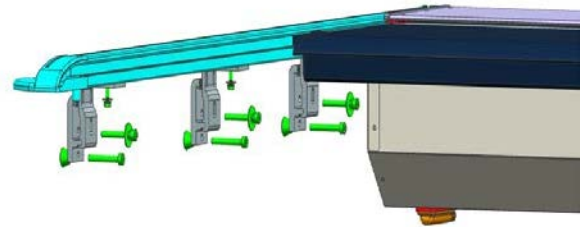


Install clamps

First note the slit on each of the clamps, insert clamps to the bolts. There are 6 clamps, one for each bolt. Make sure the slit sits between the C1 lock and the C3 C4 washer and C5 nut.

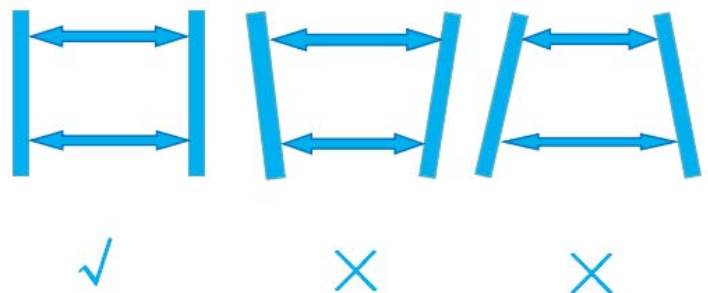


Make sure the clamps are properly clamped onto the truck bed under the rail before tightening the bolt and the clamp.



Now Press from top of rail, make sure the rail is attaching the truck, Then tighten the rear clamp on left and right rail near the tailgate. Using the distance bar to make sure the two rails are parallel.

Then tighten the rest of clamps on the rails and truck bed

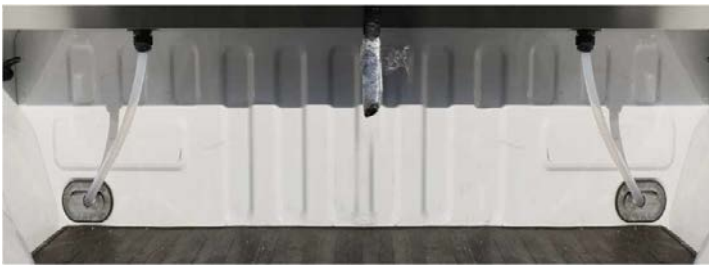


Install drainage tubes

Lock two tubes under the canister using the clip. Hook the other two tubes onto the end of the rails, tightened. Insert the rest of the tubes to the holes on the truck bed.

Note: Here that not all trucks have predrilled holes, you may need to drill small holes just big enough to plug tubes in that leads out from the bed.

Drain tube for canister



Drain tube for rails



For safety purpose

- Never stand, sit or ride on the cover or allow others to do so.
- Do not allow people or animals to occupy bed with the cover closed.
- Keep cover closed when going through auto car wash.

Additional clarification and information

Here are some common questions and concerns buyers often have on the product design, we will address each one of them in the points below, to reassure you the quality of our product

- *Cover easy self-opening when driving*
The cover is easy self-opening because because the two rails needs to be balanced when it is locked in position. Otherwise the finger of the lock panel will not hold tight of the hole on the rail.

Or you need use a screwdriver to punch the hole of the rail deeper



- *Cover maintain*
The rails need to be clean after a couple of month, and add some lubricating oil between the cover and rails.

