

INSTALLATION INSTRUCTIONS

SPORT BAR

08-15 NISSAN ROGUE

PART #VGUBG-0910SS

PARTS LIST:

1	City Bar	8	12mm ID x 29mm OD x 3mm Flat Washers
1	Driver/Left Mounting Bracket	2	8-1.25mm x 30mm Hex Head Bolts
1	Passenger/Right Mounting Bracket	2	8mm Lock Washers
4	12-1.75mm x 35mm Hex Head Bolts	2	8mm ID x 22mm OD x 1.5mm Flat Washers
4	12mm Lock Washers		
4	12mm Hex Nuts		



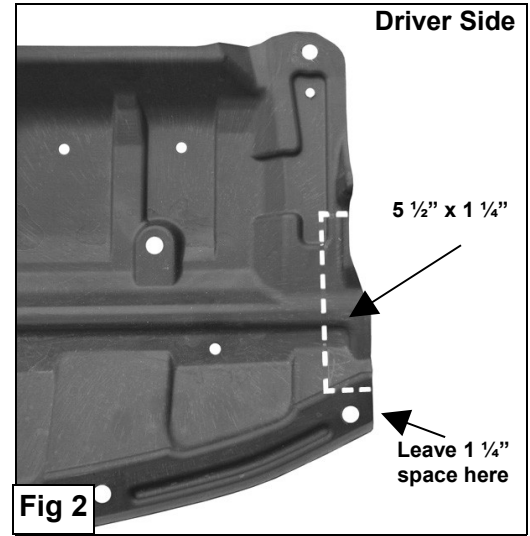
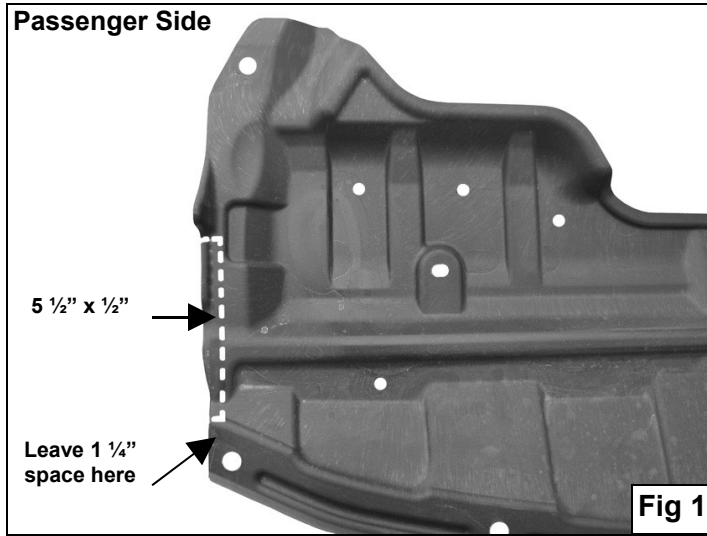
PROCEDURE:

1. REMOVE CONTENTS FROM BOX. VERIFY ALL PARTS ARE PRESENT. READ INSTRUCTIONS CAREFULLY BEFORE STARTING INSTALLATION.
2. From underside of vehicle, remove the front plastic rocker guard and place it on a clean working area. Use a sharp knife to cut out the marked area on both sides of the plastic shroud (5 1/2" x 1/2" on the passenger side, 5 1/2" x 1 1/4" on the driver side). Start cutting 1 1/4" from the front of the plastic shroud (**Figure 1 & 2**).
3. Once you cut both areas on the plastic shroud, re-install it back to the vehicle using the factory fasteners.
4. Remove the driver side body mount bolt and the factory bolt in the radiator support located right above the body mount (**Figure 3**). **IMPORTANT! Remove one body mount bolt at a time. Damage to the vehicle or personal injury may occur by removing both body mounts bolts.**
5. Position driver side Mounting Bracket and loosely attach it to vehicle using the factory body mount bolt and by replacing the radiator support bolt with the included (1) 8mm x 30mm Hex Head Bolt, (1) 8mm Lock Washer, and (1) 8mm Flat Washer (**Figure 4 & 5**). **IMPORTANT! Make sure Mounting Bracket is secure before proceeding to the opposite side.**
6. Repeat steps 4 & 5 for passenger side Mounting Bracket.
7. With help position Sport Bar on the outer side of Mounting Brackets and attach it using the included (4) 12mmx 35mm Hex Head Bolts, (4) 12mm Lock Washers, (4) 12mm Hex Nuts, and (8) 12mm Flat Washers (**Figure 6**).
8. Adjust Sport Bar Properly and then tighten all hardware at this time.
9. Do periodic inspections to the installation to make sure that all hardware is secure and tight.

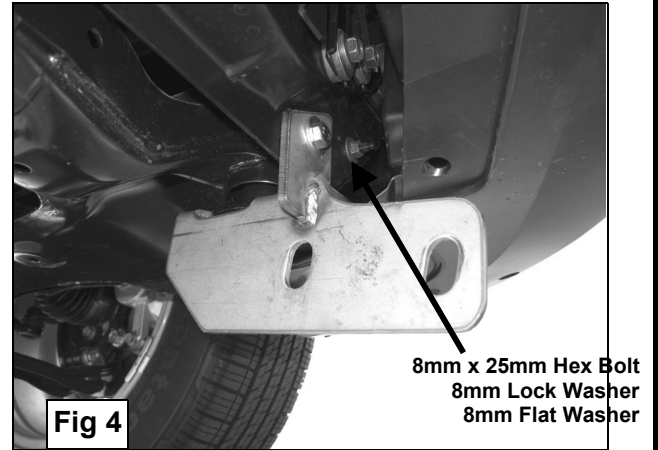
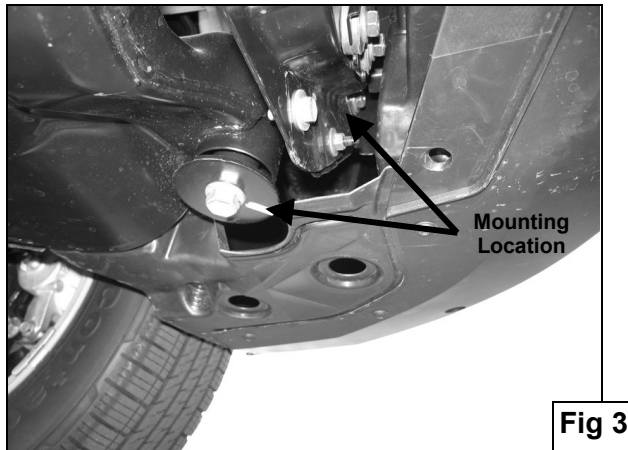
To protect your investment, wax this product after installing. Regular waxing is recommended to add a protective layer over the finish. Do not use any type of polish or wax that may contain abrasives that could damage the finish.

For stainless steel: Aluminum polish may be used to polish small scratches and scuffs on the finish. Mild soap may be used also to clean the Sidebar.

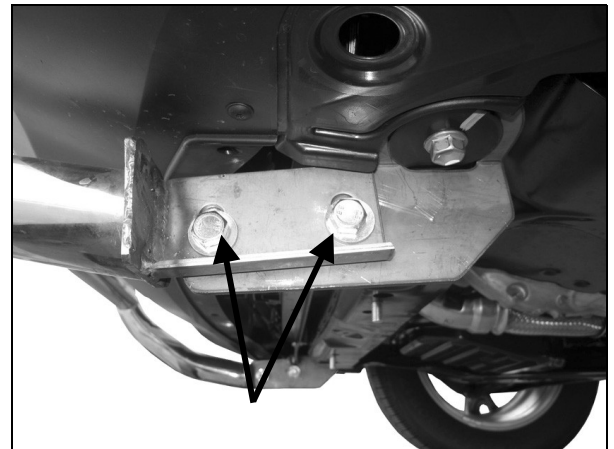
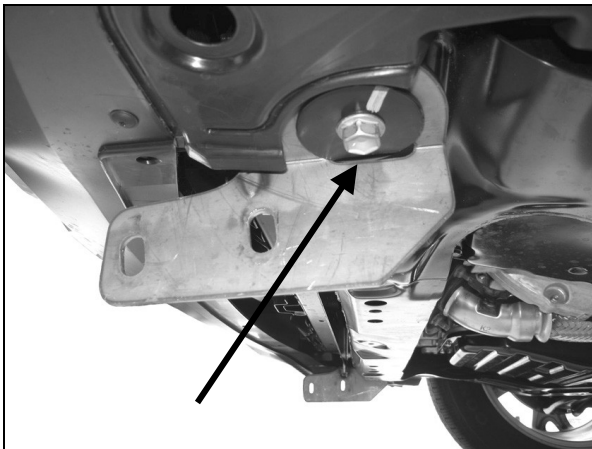
For gloss black finishes: Mild soap may be used to clean the product.



Driver Side Frame Bracket Inner View



Driver Side Frame Bracket Outer View



**Factory Body
Mount Bolt**

Fig 5

**12mm Hex Nuts
12mm Flat Washers
12mm Lock Washers
12mm x 35mm Hex Bolts**

Fig 6

INSTALLATION INSTRUCTIONS

PART # 0910/0935

BULL BAR FOR ROGUE 2008+

INSTALLATION INSTRUCTION

ITEM NO.: 0910/0935

DESCRIPTION: BULL BAR FOR ROGUE 2009+

Attention:

- Please read this installation menu before installing this part. Protect your car properly in case there is any scratch might happen.
- You may need to periodically to re-tighten all hardware for safety use after installation.
- Installation pictures are only for your reference, there might be some differences between pictures and real parts but no affection for your fitting.

PART LIST

NO.	NAME	QTY	REMARK	NO.	NAME	QTY	REMARK
(1)	Bull Bar	1		(4)	Large Washer	8	Φ12*30*3.0
(2)	Bracket	2		(5)	Spring Washer	4	Φ12
(3)	Hexagon Head Bolt	4	M12x35	(6)	Hexagon Nut	4	M12

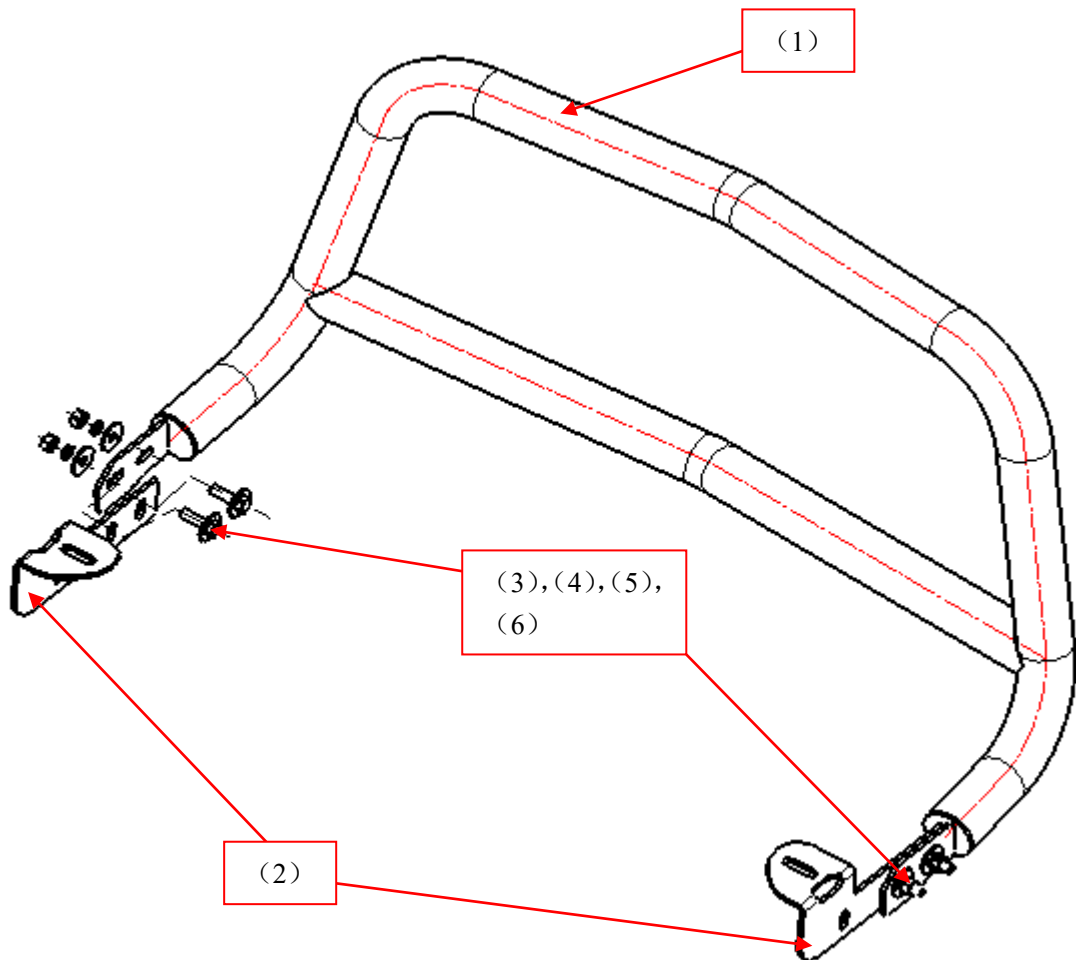
INSTALLATION PROCEDURES

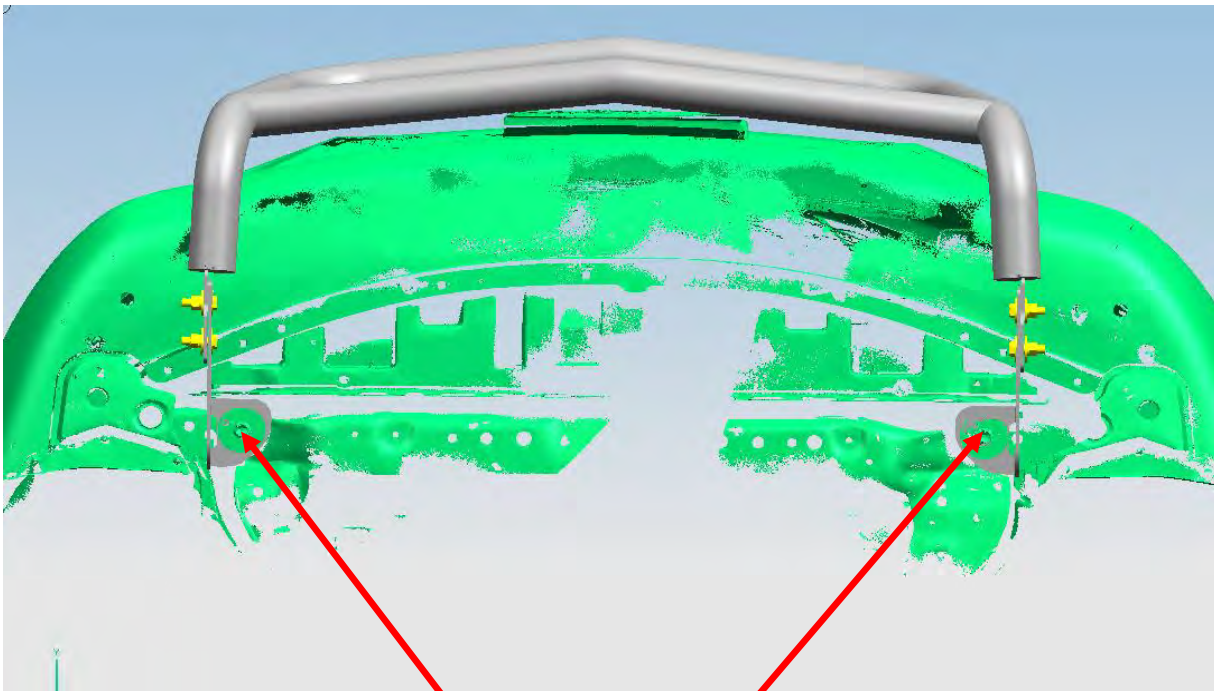
Step 1: Refer to the Part List to check if all hardware are included.

Step 2: First to install the brackets, but do not fasten.

Step 3: Install the side bar on the brackets, and according to the position of the bull bar to adjust the brackets and fitting kit.

Step 4: Check if all hardware are installed and fasten them all.





Factory hardware.

Complete the installation.



Disclaimer: Caused due to improper installation initiates or some related problem and losses, are beyond our company's quality assurance.