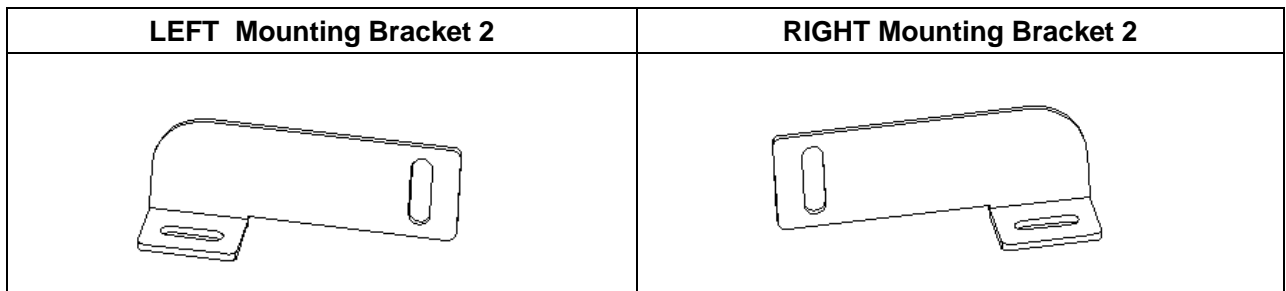
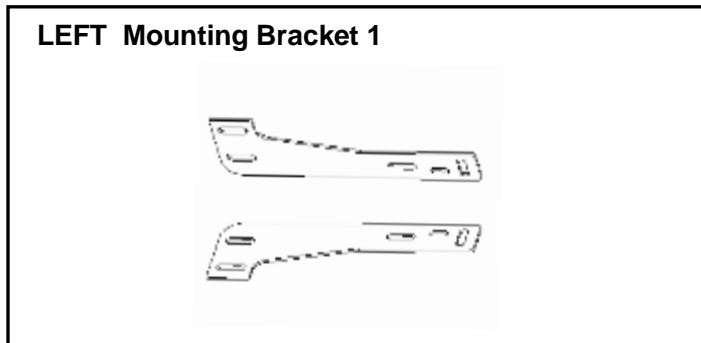


# INSTALLATION INSTRUCTIONS

**2016+ Hyundai Tucson/2015+ Kia Sportage**

PART LIST:			
QTY	PART DESCRIPTION	QTY	PART DESCRIPTION
1	Bull Bar	2	M10 FLAT WASHERS
2	Mounting Bracket1	2	M10 LOCK WASHERS
1	LEFT Mounting Bracket2	2	M10 HEX NUT
1	RIGHT Mounting Bracket2	2	M8X35 'T'type bolts
6	M12X30 HEX HEAD BOLTS	2	M8 FLAT WASHERS
12	M12 FLAT WASHERS	2	M8 LOCK WASHERS
6	M12 LOCK WASHERS	2	M8 HEX NUT
6	M12 HEX NUT	2	M12 Rubber gasket
2	M10X35 'T'type bolts		



**REMOVE CONTENTS FROM BOX. VERIFY ALL PARTS ARE PRESENT**

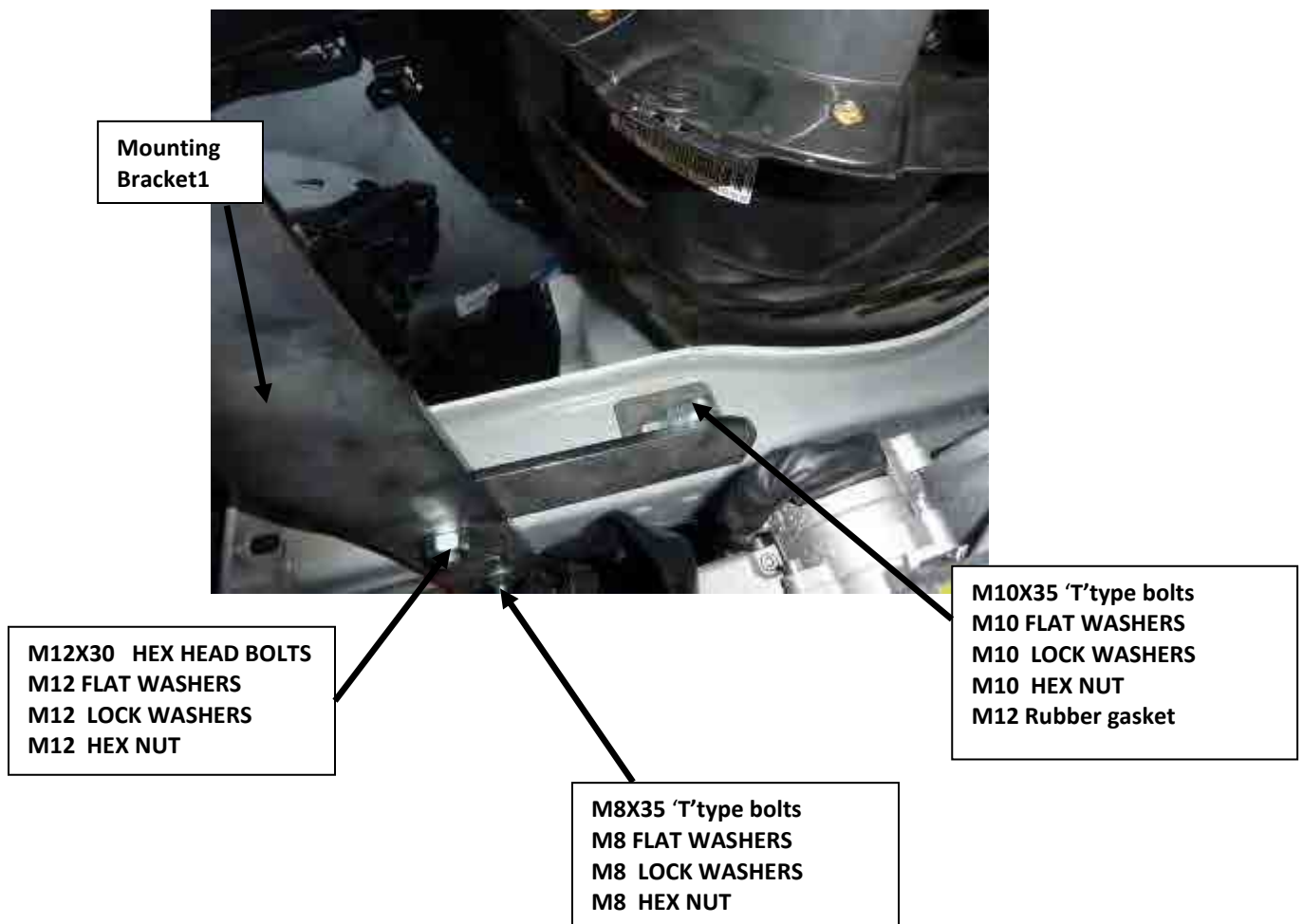
**READ INSTRUCTIONS CAREFULLY BEFORE STARTING INSTALLATION**

*Install Time: 30 – 60 Minutes; Professional Installation*

**INSTALLATION PROCEDURE**

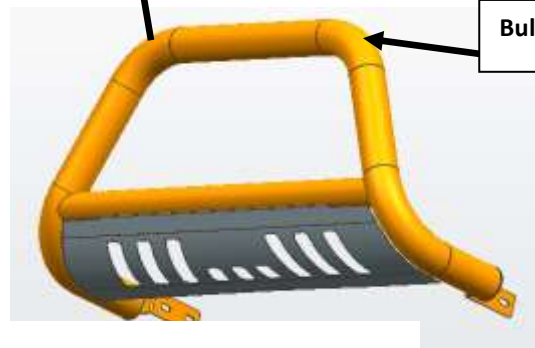
1. Pls prepare the tools for installation, follow as: 12-14、 17-19 wrench.
2. Put the mount bracket into the girder of the car, and tighten it with M12X30 hex bolts, M10X35 'T'type bolts and M8X35 'T'type bolts
3. Install the Rear Guard on the mount bracket, and tighten it with M12\*30 Hex bolt
4. Installation is finished.

**Do periodic inspections to the installation to ensure all hardware is secure and tight.**

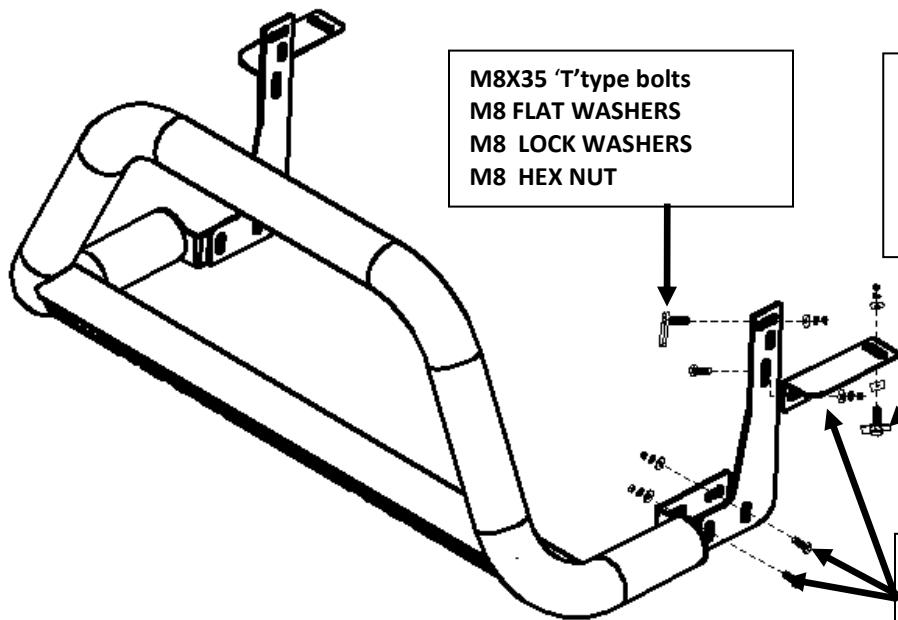




**M12X30 HEX HEAD BOLTS**  
**M12 FLAT WASHERS**  
**M12 LOCK WASHERS**  
**M12 HEX NUT**



**Bull Bar**



**M8X35 'T'type bolts**  
**M8 FLAT WASHERS**  
**M8 LOCK WASHERS**  
**M8 HEX NUT**

**M10X35 'T'type bolts**  
**M10 FLAT WASHERS**  
**M10 LOCK WASHERS**  
**M10 HEX NUT**  
**M12 Rubber gasket**

**M12X30 HEX HEAD BOLTS**  
**M12 FLAT WASHERS**  
**M12 LOCK WASHERS**  
**M12 HEX NUT**