

INSTALLATION INSTRUCTION

PART# VGUBG-1212-1977SS | A Bar SS

1. Remove the engine splash shield from underneath the vehicle.
2. Follow the installation process as depicted in the images.
3. After mounting the brackets, you may reattach the engine splash shield with cutouts for the bracket areas.

| ARTS LIST: | | | | | |
|------------|-----|---------------------|----|-----|-------------------|
| No | Qty | Part Description | No | Qty | Part Description |
| 1 | 2 | M8 x15 Flange Screw | 8 | 6 | M12x30 Screw |
| 2 | 4 | M8 Flat Medium | 9 | 10 | M12 Flat Medium |
| 3 | 2 | M8 Flange Nut | 10 | 6 | M12 Spring Medium |
| 4 | 2 | M10x40 T Screw | 11 | 4 | M12 Nut |
| 5 | 2 | M10 Flat Medium | | | |
| 6 | 2 | M10 Spring Medium | | | |
| 7 | 2 | M10 Nut | | | |

REMOVE CONTENTS FROM BOX. VERIFY ALL PARTS ARE PRESENT

READ INSTRUCTIONS CAREFULLY BEFORE STARTING INSTALLATION

Install Time: 30 – 60 Minutes (Professional Installation)

INSTALLATION PROCEDURE

1. Remove existing body mount bolts as shown (**see Fig. 1 and Fig 2**).
2. Install front and rear passenger brackets as shown using M12 x 30mm Screw (see Fig 1 and Fig 2).
3. Place passenger side step bar on brackets. Each step bar is marked driver and passenger.

To protect your investment, wax this product after installing. Regular waxing is recommended to add a protective layer over the finish. Do not use any type of polish or wax that may contain abrasives that could damage the finish.

For stainless steel: Aluminum polish may be used to polish small scratches and scuffs on the finish. Mild soap may be used also to clean the Sidebar.

For gloss black finishes: Mild soap may be used to clean the Sidebar.

Do periodic inspections to the installation to ensure all hardware is secure and tight.

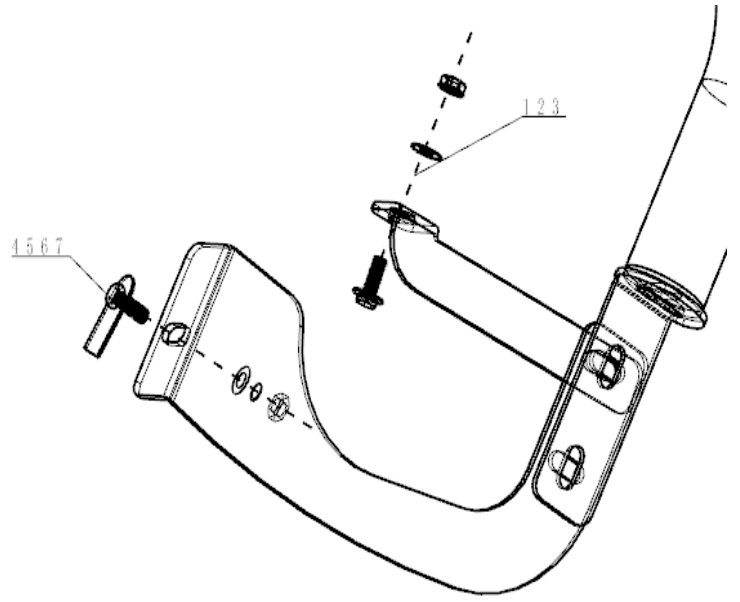
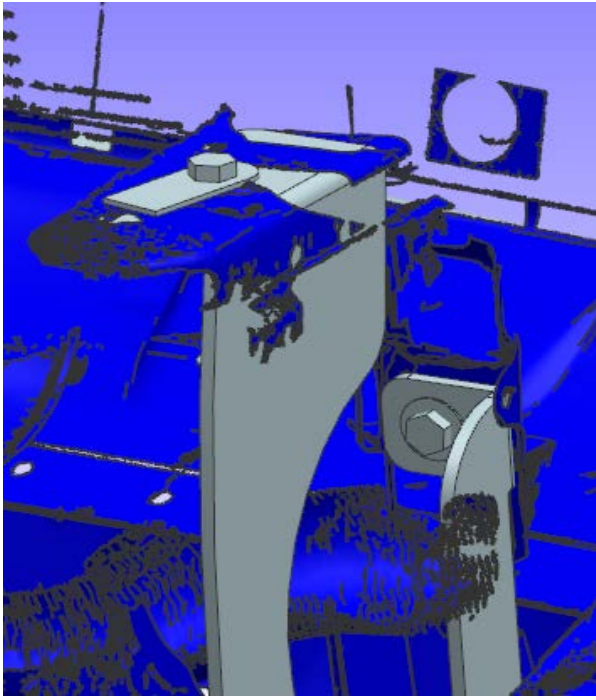


Figure 1. Body installation- Lift

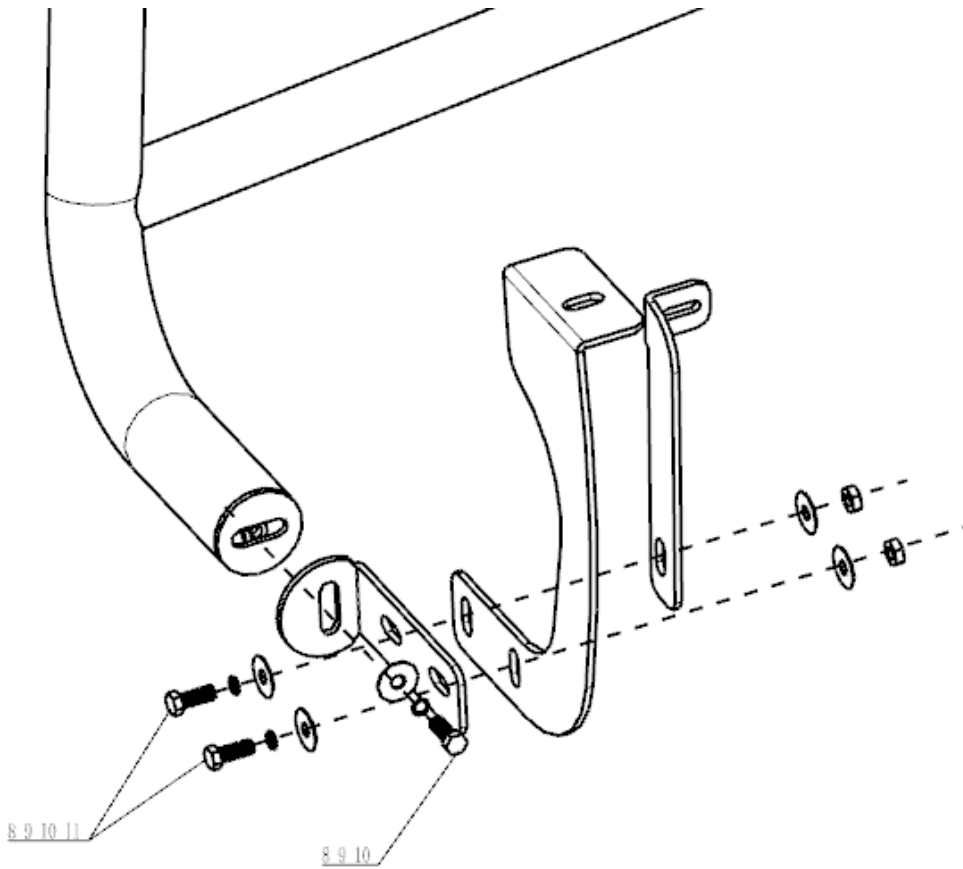


Figure 2. Front mounting - Lift