

INSTALLATION INSTRUCTION

ITEM NO.: 1228

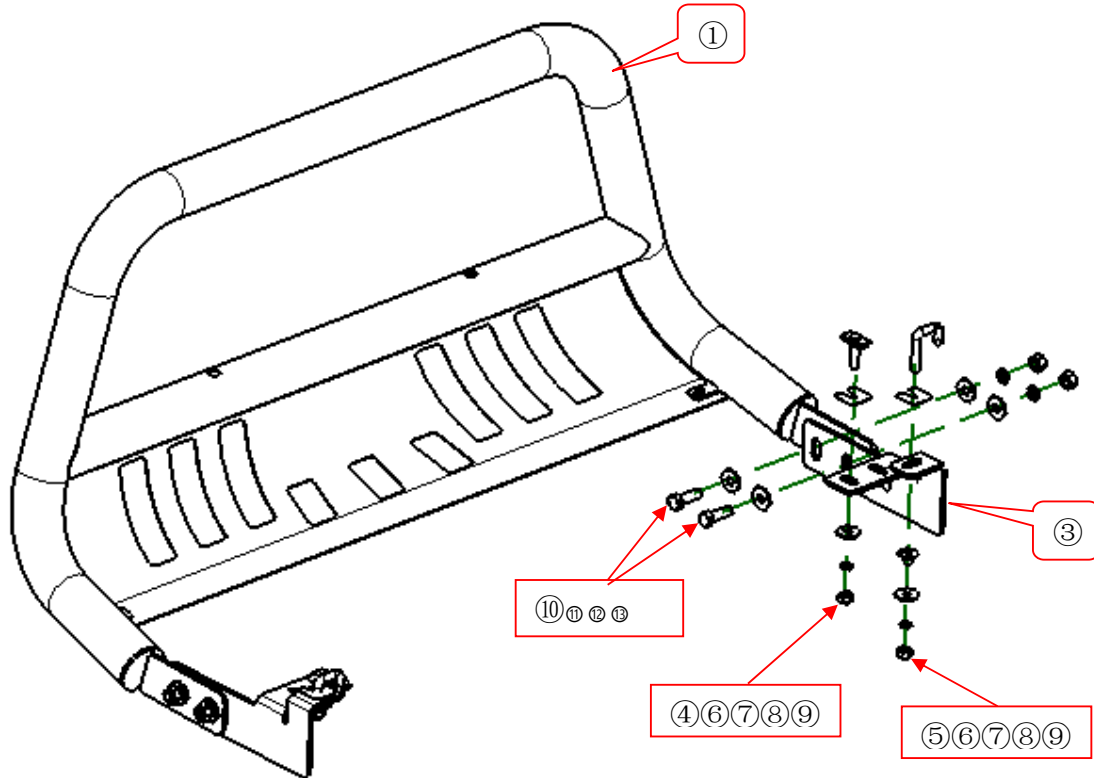
DESCRIPTION: BULL BAR FOR EDGE 2015+

- Please read this installation menu before installing this part. Protect your car properly in case there is any scratch might have.
- You may need to periodically to re-tighten all hardware for safety use after installation.
- Installation pictures are only for your reference, there might be some differences between pictures and real parts but no affect for your fitting.

PART LIST

| NO. | NAME | QTY | REMARK | NO. | NAME | QTY | REMARK |
|-----|---------------|-----|------------|-----|---------------|-----|------------|
| ① | Bull Bar | 1 | | ⑧ | Spring Washer | 4 | φ10 |
| ② | Left Bracket | 1 | | ⑨ | Hexagon Nut | 4 | M10 |
| ③ | Right Bracket | 1 | | ⑩ | Hexagon Bolt | 4 | M12x35 |
| ④ | T Bolt | 2 | M10*40 | ⑪ | Large Washer | 8 | φ12x30x3.0 |
| ⑤ | Deformed Bolt | 2 | M10*35 | ⑫ | Spring Washer | 4 | φ12 |
| ⑥ | PVC Fixture | 4 | Φ10 | ⑬ | Hexagon Nut | 4 | M12 |
| ⑦ | Large Washer | 4 | φ10x30x2.5 | | | | |

INSTALLATION PICTURE



INSTALLATION PROCEDURES

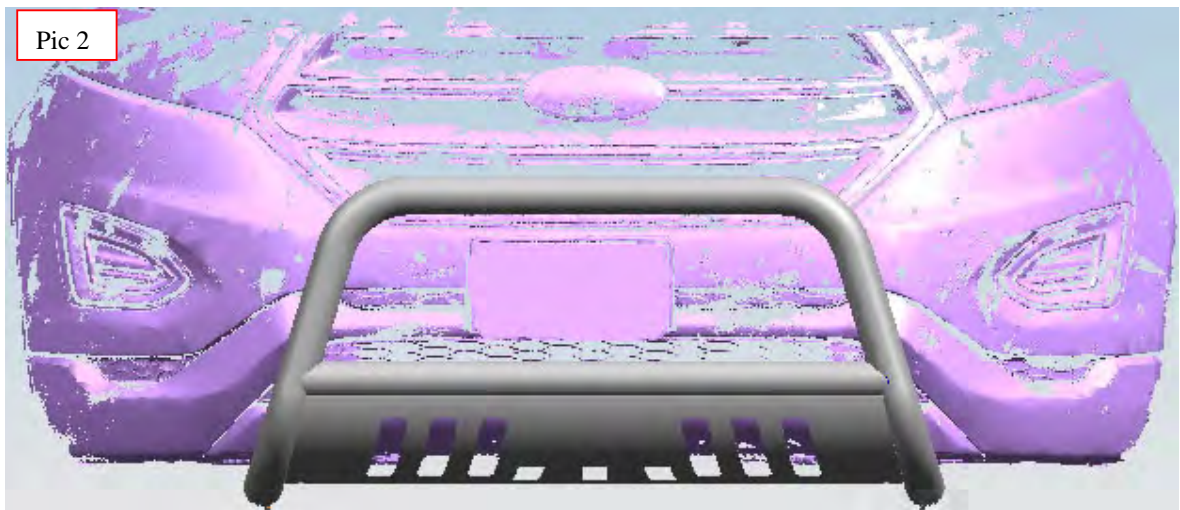
Step 1: Refer to Part List and Installation Picture to check if all hard ware are included.

Step 2: Refer to the following picture to install left and right bracket.



Step 3: Install the bull bar on the brackets and then adjust them to the proper positions.

Step 4: Check if all hard ware are installed and then fasten all to complete the installation.



Disclaimer: Caused due to improper installation initiates some related problem and losses, are beyond our company's quality assurance.

