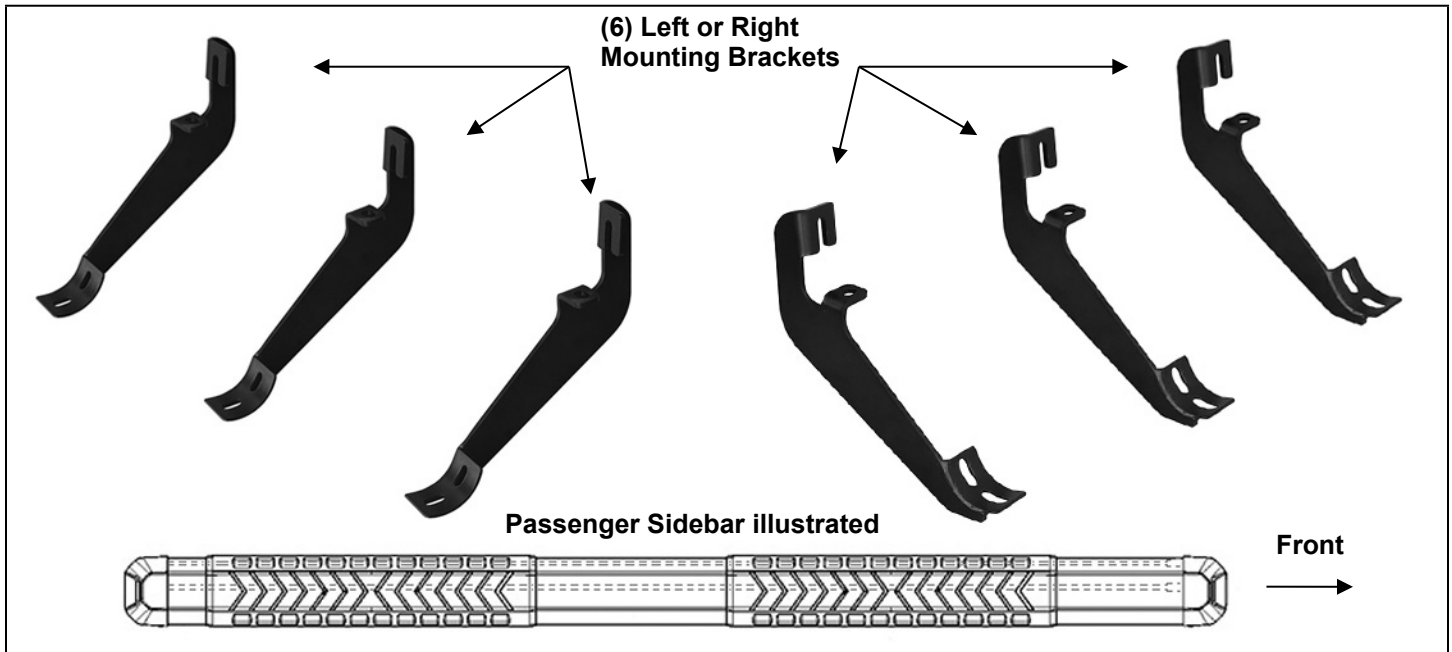


PARTS LIST:

1	Driver/left Sidebar	12	8-1.25mm x 25mm Hex Bolts
1	Passenger/right Sidebar	24	8mm x 24mm x 2mm Flat Washers
6	Sidebar Brackets (use for left or right)	24	8mm Lock Washers
12	8-1.25mm Clip-On Nuts	12	8mm Hex Nuts
12	8-1.25mm x 20mm T-Bolts		



PROCEDURE:

REMOVE CONTENTS FROM BOX. VERIFY ALL PARTS ARE PRESENT. READ INSTRUCTIONS CAREFULLY BEFORE STARTING INSTALLATION. ASSISTANCE IS RECOMMENDED.

1. Start the installation under the passenger side of the vehicle. Locate the 4 factory running board mounting locations along the bottom and inner side of the body, **(Figure 1)**. Mounting Brackets will bolt to the 1st, 2nd and 4th mounting locations. **NOTE:** It may help to hold a Bracket up in place to help determine the mounting holes to use along the bottom and inner side of the body.
2. Remove rubber plugs as necessary, **(Figure 2)**. Select (1) 8mm Clip Nut. Slide the Clip Nut into the large hole and over the smaller hole next to it. Line up threaded nut on the Clip Nut with smaller hole in body panel, **(Figure 3)**.
3. Select (1) Mounting Bracket. **NOTE:** All (6) Brackets are universal and will fit left or right side. Bolt the Mounting Bracket to the (2) Clip Nuts with (2) 8mm Hex Bolts, (2) 8mm Lock Washers and (2) 8mm Flat Washers, **(Figure 4)**. Snug but do not fully tighten the hardware.
4. Repeat **Steps 1—3** to install the center and rear Brackets.
5. Select the passenger Sidebar. **NOTE:** Slots in the bottom of the Sidebar are offset toward the vehicle. Use the diagram above to help determine correct Sidebar.
6. Locate the opening in the end of the channels in the bottom of the Sidebar. Slide (3) 8mm T-Bolts into each channel, **(Figure 5)**. Carefully position the Sidebar onto the (3) Mounting Brackets. Lift the Sidebar up and slide the T-Bolts along the Sidebar to match up with the Brackets. **IMPORTANT:** Do not slide the Sidebar on the Brackets, (front to back or rotate), or the finish on the Sidebar may be damaged.

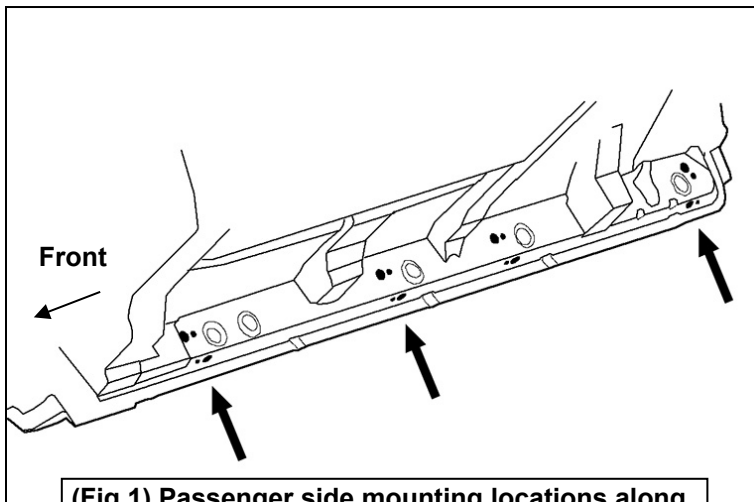
7. Line up the front of the Sidebar approximately 2" back, (or locate as desired), from the front wheel opening. Attach the Sidebar to the Mounting Brackets with (6) 8mm Flat Washers, (6) 8mm Lock Washers and (6) 8mm Hex Nuts, (**Figure 6**). Do not tighten hardware at this time.
8. Level and adjust the Sidebar and tighten all hardware.
9. Repeat **Steps 1—8** to install the driver/left Sidebar.
10. Do periodic inspections to the installation to make sure that all hardware is secure and tight.

To protect your investment, wax this product after installing. Regular waxing is recommended to add a protective layer over the finish. Do not use any type of polish or wax that may contain abrasives that could damage the finish.

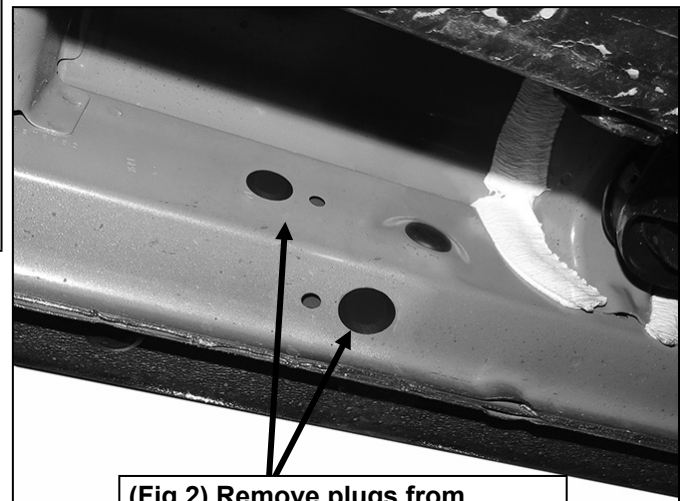
For stainless steel: Aluminum polish may be used to polish small scratches and scuffs on the finish. Mild soap may be used also to clean the Sidebar.

For gloss black finishes: Mild soap may be used to clean the Sidebar.

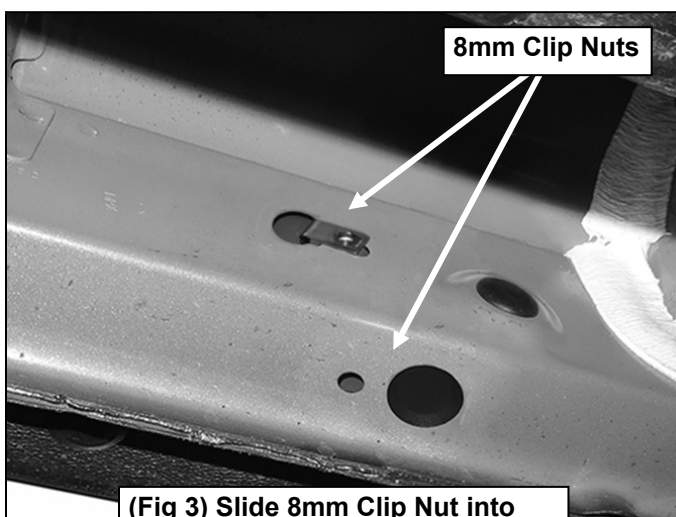
Passenger/right Side Installation Pictured



(Fig 1) Passenger side mounting locations along bottom and back of body panel illustrated

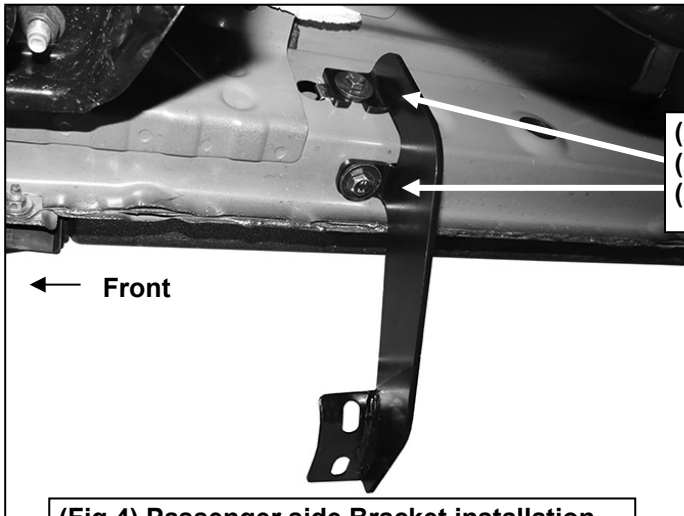


(Fig 2) Remove plugs from mounting locations as necessary



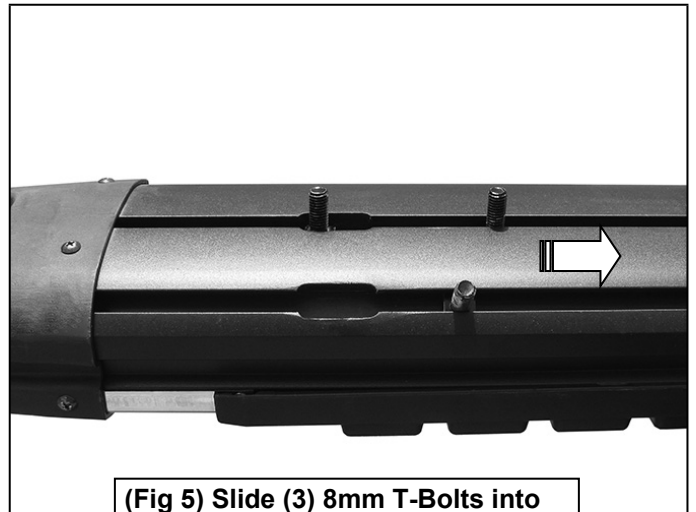
(Fig 3) Slide 8mm Clip Nut into large hole and over small hole

Passenger/right Side Installation Pictured

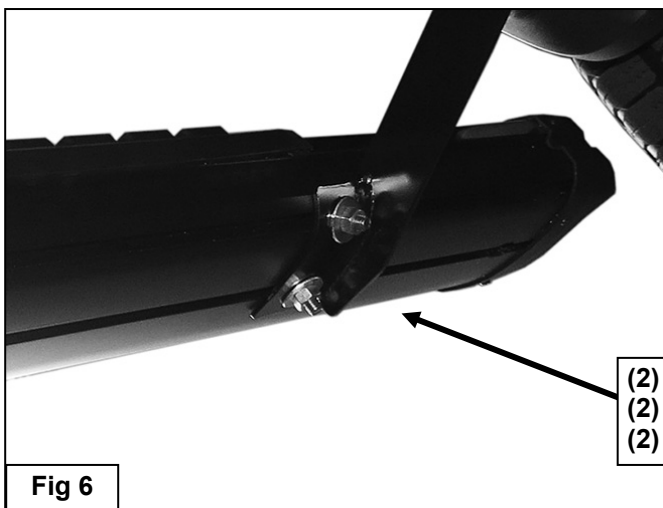


- (2) 8mm x 25mm Hex Bolts
- (2) 8mm Lock Washers
- (2) 8mm Flat Washers

(Fig 4) Passenger side Bracket installation



(Fig 5) Slide (3) 8mm T-Bolts into each channel in bottom of Sidebar



- (2) 8mm Flat Washers
- (2) 8mm Lock Washer
- (2) 8mm Hex Nuts

Fig 6