

2263B

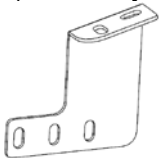
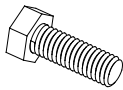
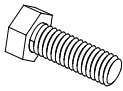



Installation Instruction




Thank you very much for choosing our products.

Please read the installation instruction carefully before using our product and be sure to fully understand the contents mentioned above for subsequent installation.

In addition, please keep properly the installation instruction for product maintenance in future.

● **Product Composition** *Please confirm if it is missing.

1. Mounting Bracket (2 pieces) lateral symmetry 	2. M12x35 Hex Thin Thread (4 pieces) 	3. M12x30 Bolt (4 pieces) 	4. $\Phi 12.5 \times \Phi 30 \times 2$ Flat Washer (12 pieces) 
5. M12 Lock Washer (8 pieces) 	6. M12 Hex Nut (4 pieces) 		

Ratchet 	Torque wrench 	19MM socket 
--	--	--

1. Install the mount bracket (1) on the girder of the car with M12X35 Hex Thin Thread bolt(2), then tighten it

