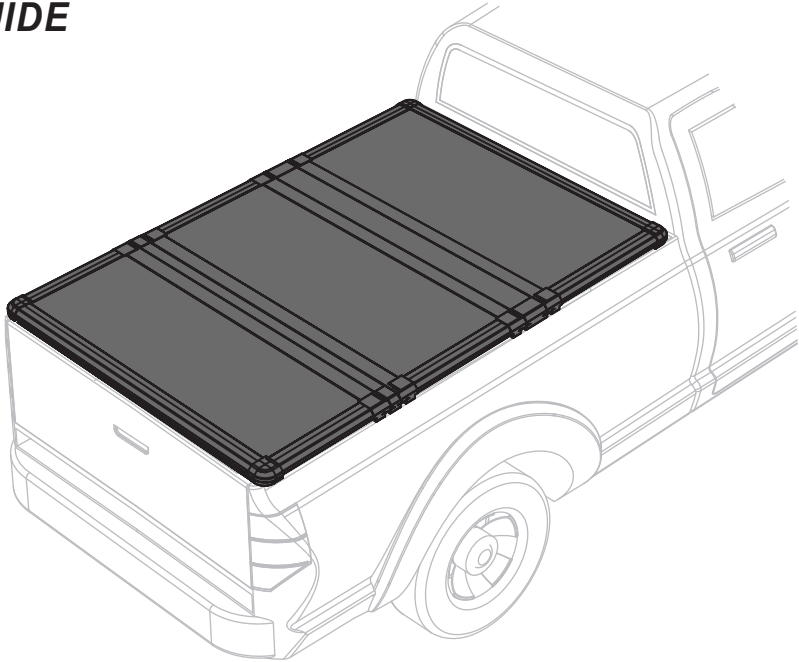
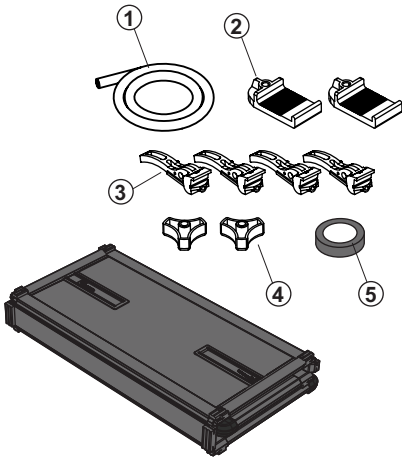


HARD FOLDING TONNEAU COVER

INSTALLATION GUIDE



PARTS LIST

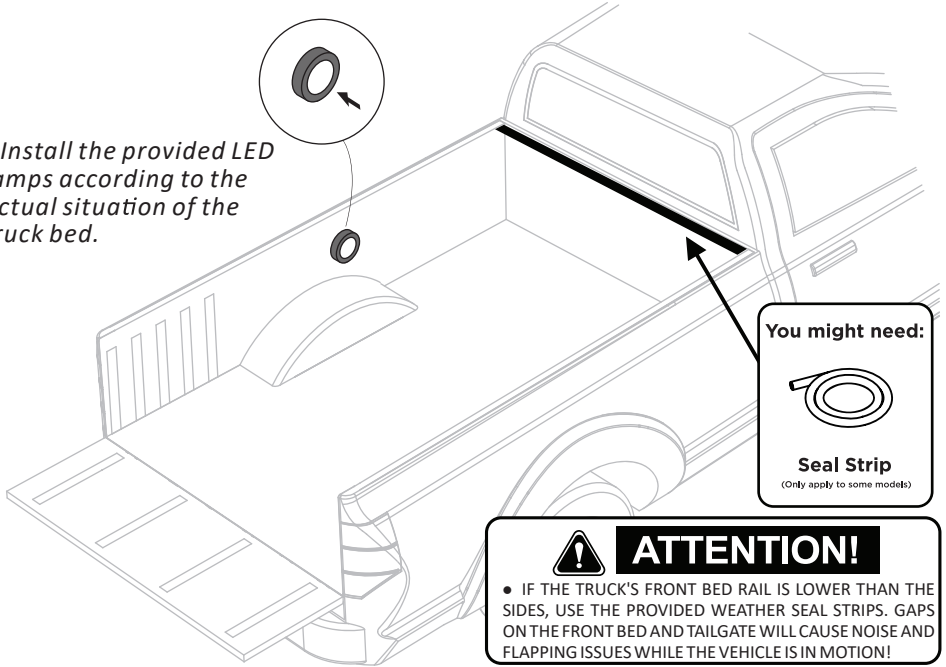


ITEM	DESCRIPTION	QTY.
1	Seal strip 118(in)	1
2	Front clamps	2
3	Rear clamps	4
4	Triangle screw	2
5	Light	1

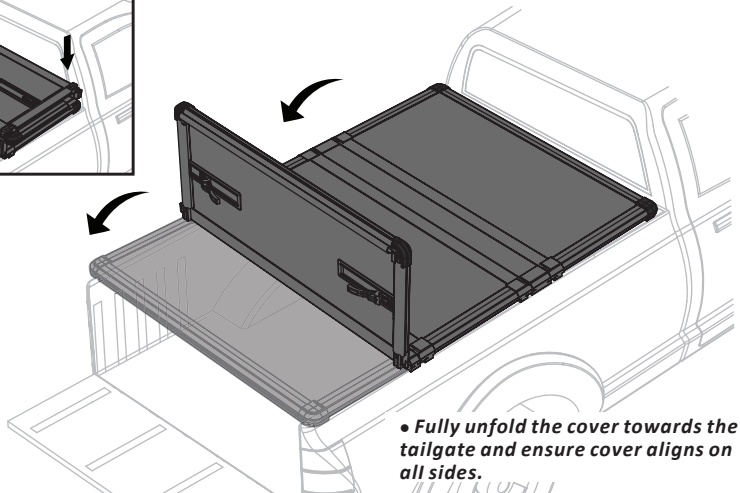
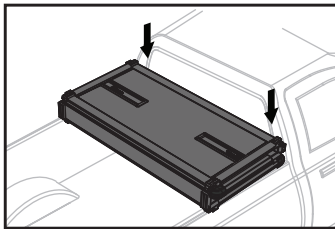
⑥ Bed cover*1

- 1.**
- Clean truck bed thoroughly before installation.
 - Stick the supplied front seal strip on the front bed rail by aligning with the outer edge.

• Install the provided LED lamps according to the actual situation of the truck bed.

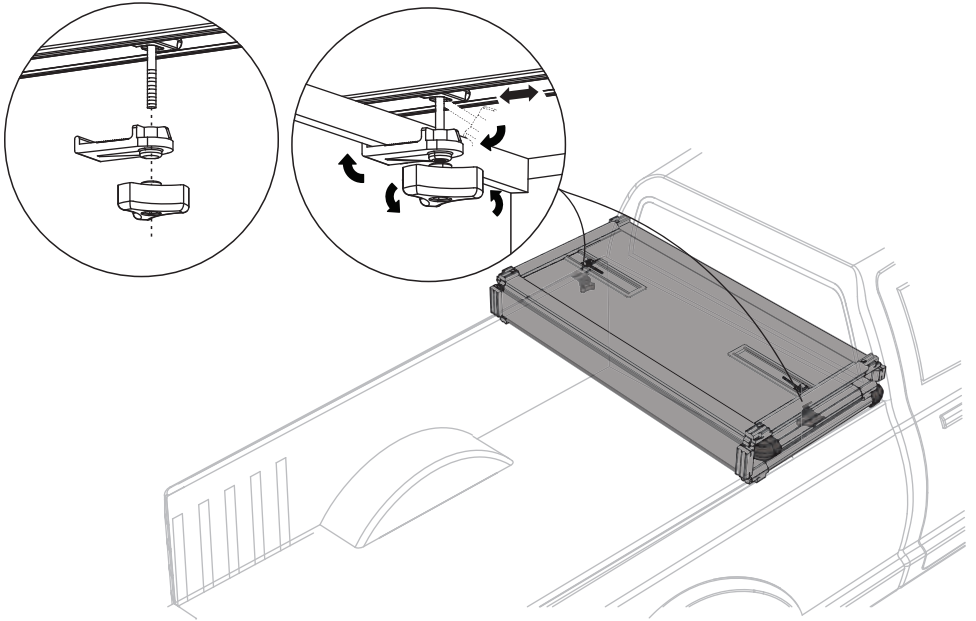


- 2.**
- Place the assembled cover on the bulkhead against the cab.

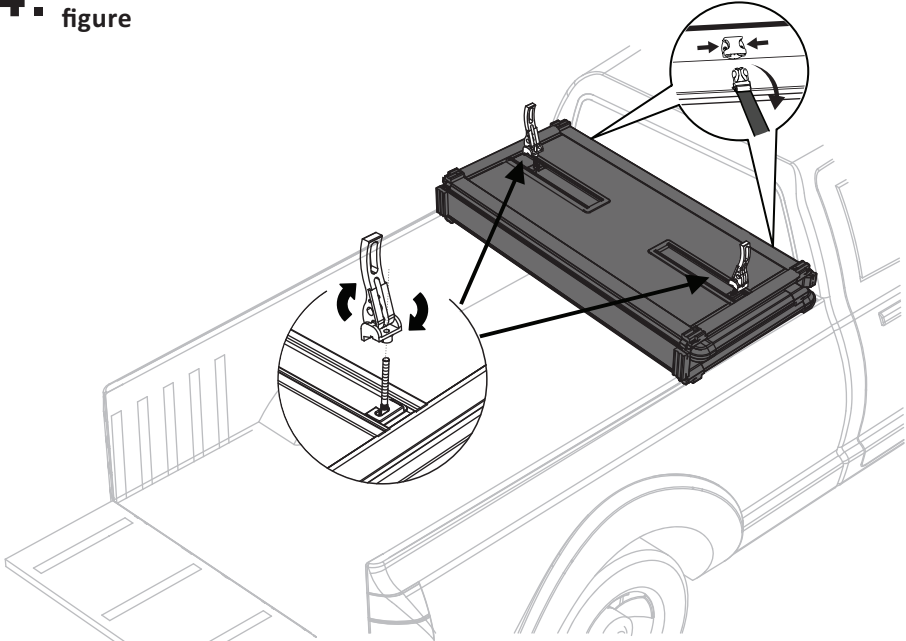


• Fully unfold the cover towards the tailgate and ensure cover aligns on all sides.

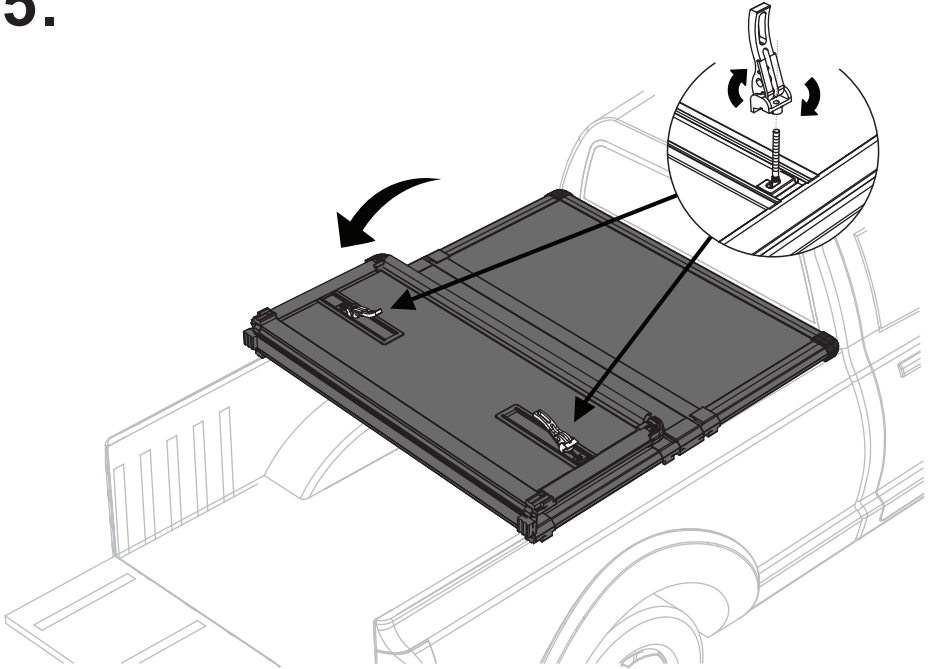
- 3.** • Slide the front clamp to the best position, clamp the interface under the metal bed rail point, and then use the Triangle screw to rotate into the metal rod to fix the entire clamp



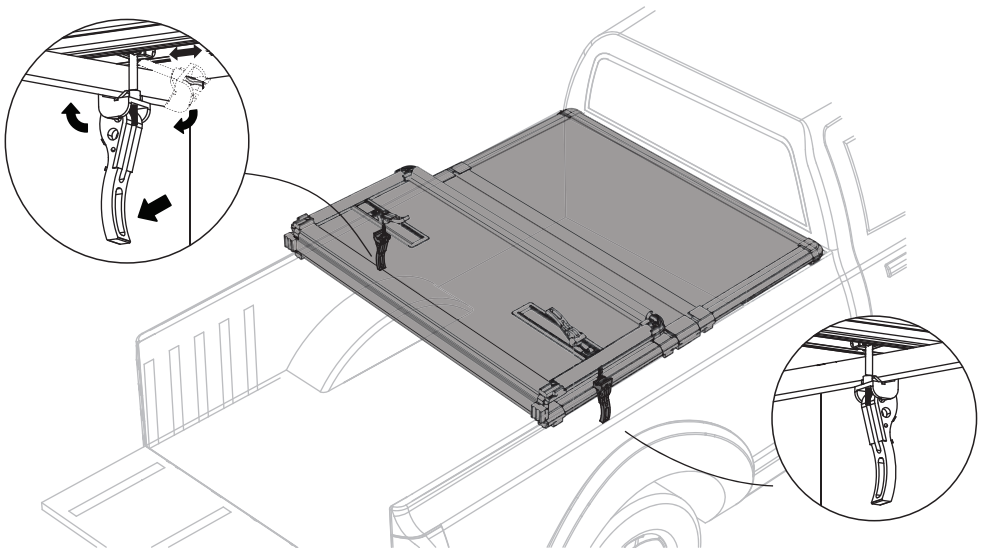
- 4.** • Connect the provided Rear clamps to the T-bar on the cover as shown in the figure



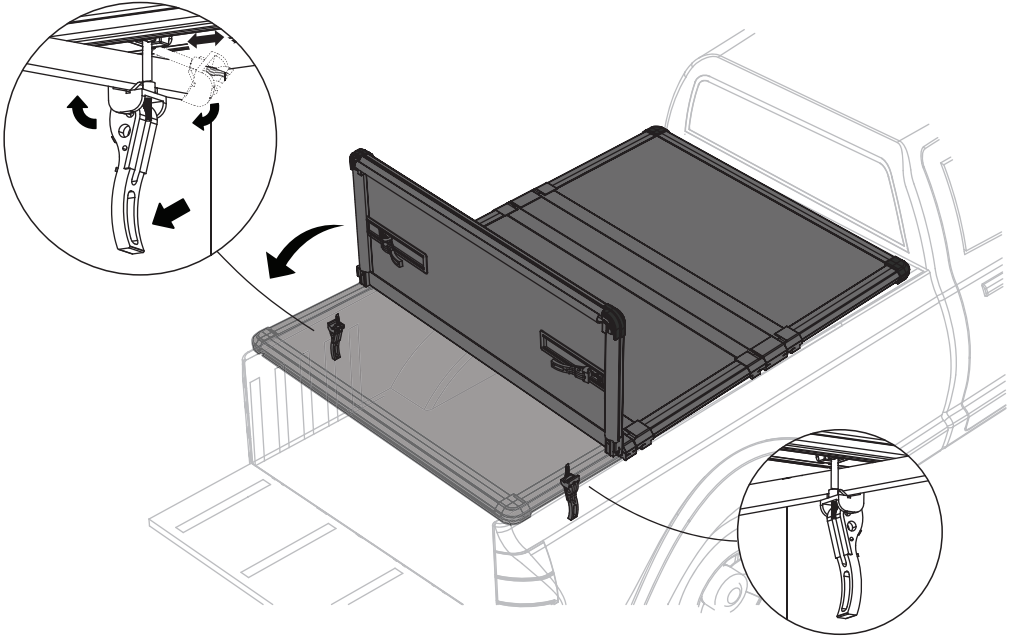
- 5.** • Fix the rear clamp on the third cover as shown in the second cover.



- 6.** • Adjust the connection position of the rear clamp and T-bar according to the actual situation, open the cover and place it on the lathe, and push the rear clamp vertically to fix it to the rails on both sides of the lathe.

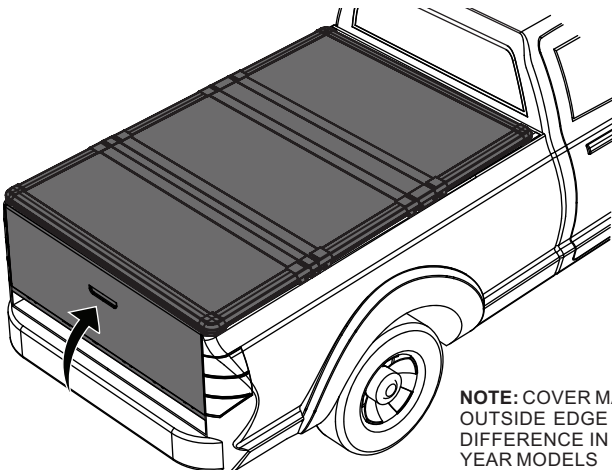


- 7.** • All clamps must be firmly in contact with the lip of the metal bed rail to ensure a firm cover



- 8.** **FINISH THE INSTALLATION**
- After rear clamps have been latched securely, close/lock tailgate and cover cannot be opened from the outside

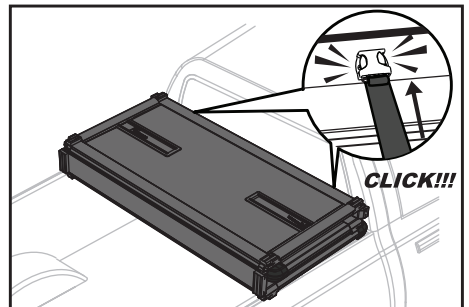
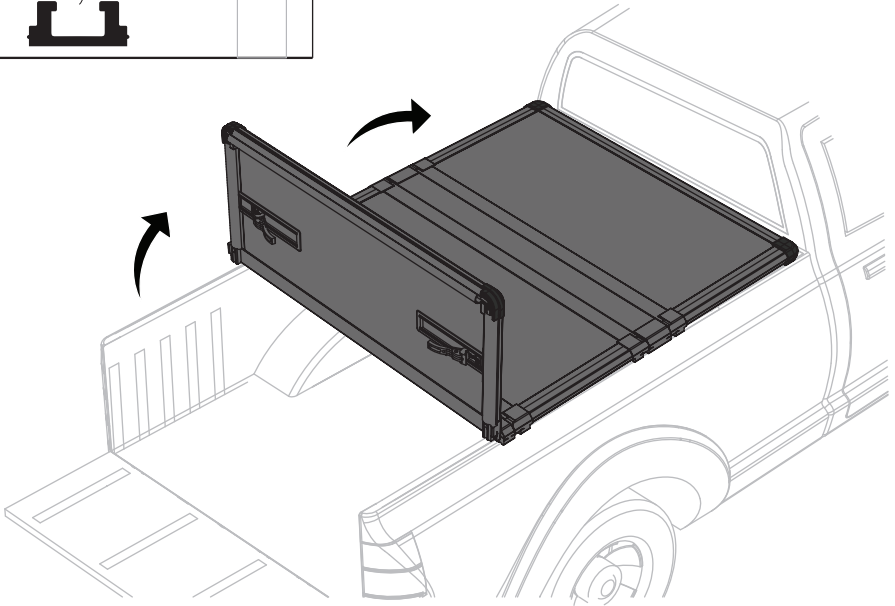
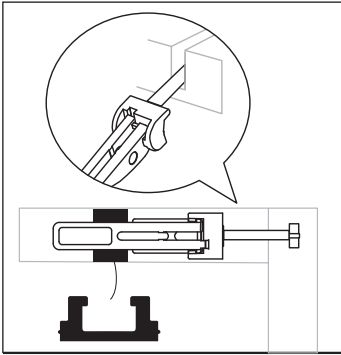
COMPLETED!!!



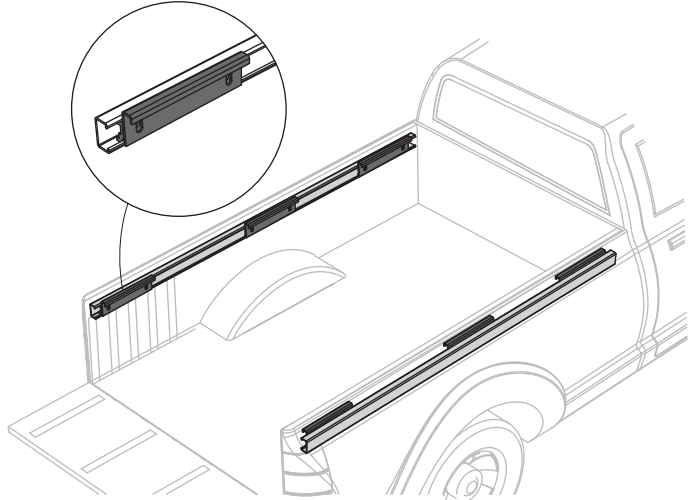
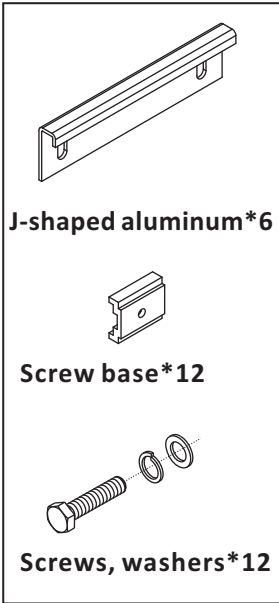
All clamps must be firmly in contact with the lip of the metal bed rail to ensure a firm cover. Finally, close the tailgate to complete the installation.

NOTE: COVER MAY NOT COMPLETELY COVER TO THE OUTSIDE EDGE OF THE BED RAILS DUE TO SLIGHT DIFFERENCE IN TRUCK BED SHAPE FOR DIFFERENT YEAR MODELS

- 9** When it is necessary to completely fold the cover, place the rear clamps correctly on the clamping rubber block, and then fold it.



**SPECIAL INSTRUCTIONS FOR ALTERNATIVE BRACKETS
SUPPLEMENT TO INSTALLATION INSTRUCTIONS (Only
for models with system track)**



1

• Slide the screw base into the system rail

2

• Put the gaskets in order and tighten the screws

3

• Fix the J-shaped aluminum according to the position of the clamps on the cover

• Attach Front Clamps on to J-shaped aluminum

• Attach rear Clamps on to J-shaped aluminum