

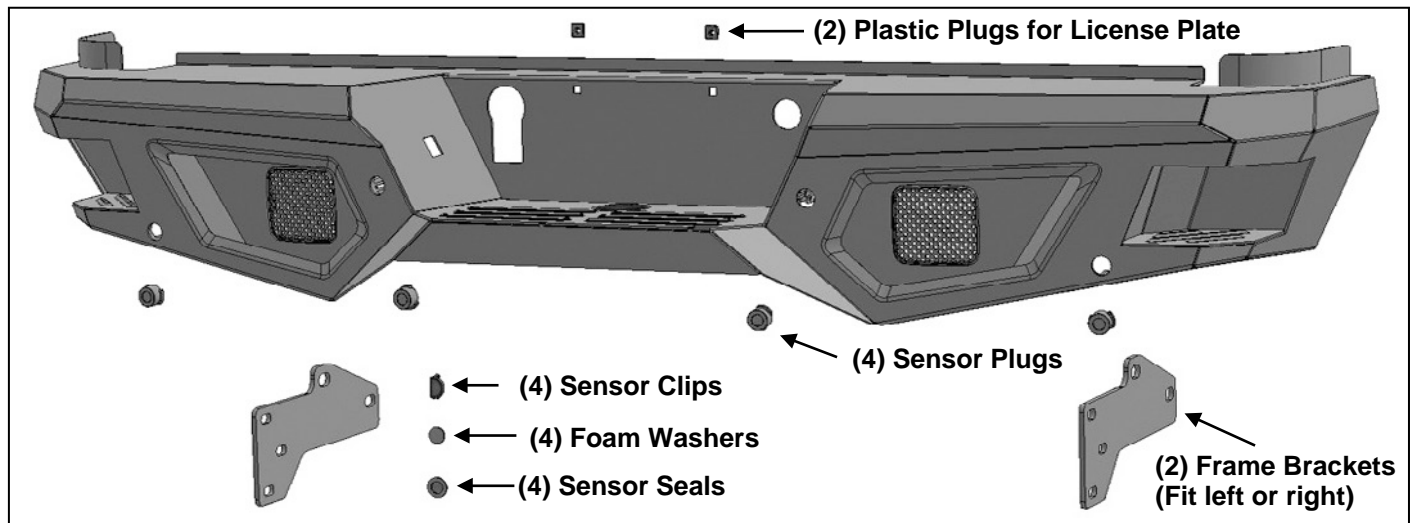


AB2224

Endurance Truck Rear Bumper for 15-20 CHEVY COLORADO(Incl. COLORADO ZR2)

PARTS LIST:

1	LD-2 Rear Bumper Assembly	6	10-1.5mm x 35mm Hex Bolts
2	Mounting Brackets	12	10mm x 30mm x 2.5mm Small Flat Washers
2	Mesh Fill Panels	6	10mm Lock Washers
1	Hitch Hole Cover	6	10mm Hex Nuts
2	Plastic Plugs for license plate mount	6	6mm x 20mm Combo Bolts
4	Sensor Hole Plugs	4	6mm Flange Nuts
4	Retaining Clips	8	4mm x 10mm Button Head Bolts
4	20mm x 2mm Foam Washers	1	2.5mm Wrench
4	15.5mm x 25mm x 2mm Foam Washer	1	4mm Wrench
1	Sensor Cover Kit	10	Nylon Wire Ties



PROCEDURE:

REMOVE CONTENTS FROM BOX. VERIFY ALL PARTS ARE PRESENT. READ INSTRUCTIONS CAREFULLY BEFORE STARTING INSTALLATION. BUMPER IS HEAVY, ASSISTANCE IS RECOMMENDED TO AVOID POSSIBLE INJURY OR DAMAGE TO THE VEHICLE.

1. Remove the license plate from the bumper. Next, unplug the wiring harness leading to the bumper. Release the wiring harness from the clips attached to the back of the bumper. Move all wiring harnesses away from bumper.
2. Place blocks or jack stands under the bumper to support it during mounting bolt removal. Once the bumper has been safely supported, remove the (4) factory hex bolts attaching the bumper brackets to the sides of the frame or receiver hitch, (if equipped), and remove the bumper, **(Figures 1 & 2)**.
3. Select (1) Frame Mounting Bracket, **(Figure 3)**. Reuse the (2) factory bumper bracket hex bolts to attach the Bracket to the passenger/right side of the frame, **(Figures 3 & 4)**. Snug but do not fully tighten hardware at this time. Repeat to install the driver/left Mounting Bracket.
4. Remove the wiring harness from the bumper. Remove the sensors, (if equipped), license plate lights and trailer plug, **(Figures 5 & 6)**.
5. Select the factory license plate lights, **(Figure 6)**. Use the included (2) 6mm Combo Bolts to attach the license plate lights to the brackets on both side of the LD-2 Bumper, **(Figure 7)**. Also install the trailer plug if equipped, into the opening in the Bumper.



6. Determine if the vehicle is equipped with sensors. **NOTE:** Depending on tow package, it may be necessary or easier to install sensors, (if equipped), before installing the Bumper.

Models without bumper sensors:

- a. Select the included (4) Rubber Plugs.
- b. From behind bumper, push plugs into sensor mounting holes, **(Figure 8)**. Screws have been provided to lock the plugs in the sleeve. Use is optional.
- c. Install wiring harness for license plate lights.

Models with bumper mounted sensors:

- a. Remove sensors from factory bumper.
- b. Remove the silicone seal from the end of the sensor. Slide the included larger Sensor Seal over front of sensor, **(Figure 9)**.
- c. Insert sensor with Seal into sensor mount, **(Figure 10)**.
- d. Place Foam Washer over end of sensor. Push Sensor Retaining Clip into sensor mount and lock into mounting holes, **(Figure 10)**.
- e. Repeat previous Steps to install remaining sensors.
- f. Install wiring harness for license plate lights and sensors.
- g. **Optional:** Secure each sensor to the socket with (2) 4mm x 10mm Button Head Screws. **IMPORTANT:** Sensors fit snug in sockets. The 4mm Screws are used to apply slight pressure to lock the sensors in place. Tighten both screws evenly until they touch the sensor body only. Do not overtighten screws or damage to sensors will result.

7. Determine if accessory lights, (not included), or Mesh Fill Panels will be installed at this time.

Mesh Fill Panel Installation (do not install fill panels if installing lights).

- a. Select the Fill Panels, **(Figure 11)**.
- b. Attach Panels with the included 6mm Combo Bolts and 6mm Flange Nuts, **(Figure 11)**. Fully tighten Fill Panel hardware at this time.

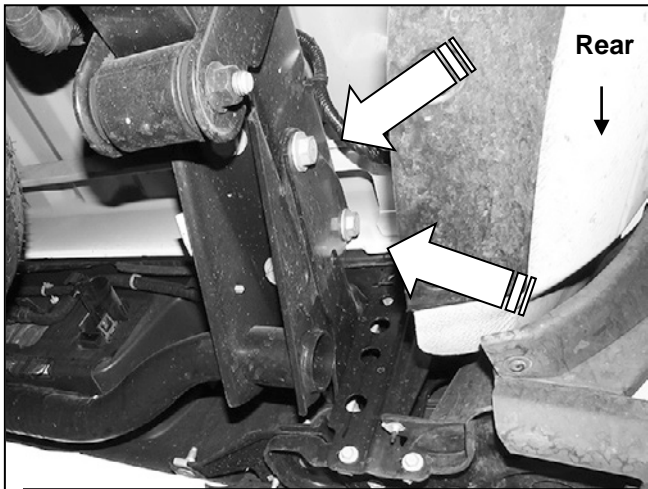
LED cube style light installation (light not included).

- a. Attach lights to mounting tabs on back of each end of the Bumper, **(Figure 12)**.
8. With assistance, hold the LD-2 Bumper assembly up to the Brackets. Temporarily support the weight of the Bumper. **WARNING:** To avoid possible injury or damage to the vehicle, do not proceed until the bumper is fully and safely supported.
9. Attach the Bumper to the Brackets with the included (6) 10mm x 35mm Hex Bolts, (12) 10mm Flat Washers, (6) 10mm Lock Washers and (6) 10mm Hex Nuts, **(Figures 12 & 13)**. Snug but do not fully tighten hardware at this time.
10. Level and adjust the bumper and fully tighten all hardware.
11. Attach the wiring harness in the Bumper to the main harness. Use the included Wire Ties to secure the wiring harness to the bumper and frame as necessary.
12. Use the included (2) push-in plugs to attach the license plate to the Bumper, **(Figure 14)**.
13. Do periodic inspections to the installation to make sure that all hardware is secure and tight.

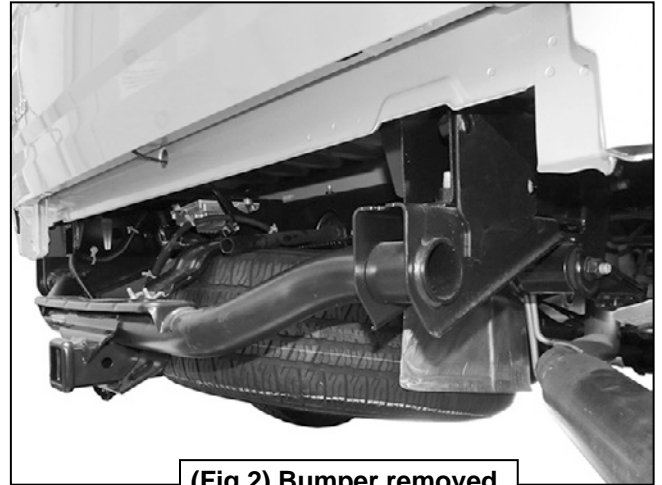
To protect your investment, do not use any type of polish or wax that may contain abrasives that could damage the finish. Mild soap may be used to clean the Bumper assembly.



Passenger/right Side Installation Pictured

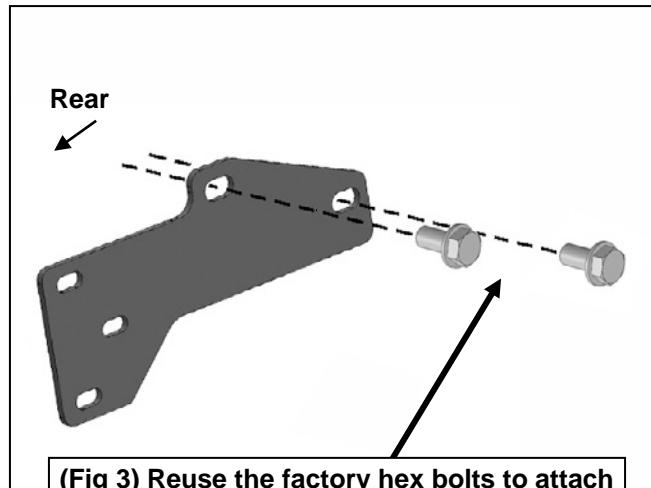


(Fig 1) Remove factory bumper bolts (arrows)



(Fig 2) Bumper removed

WARNING! Do not remove bumper bolts unless the bumper is properly supported on blocks or stands or the bumper may fall.

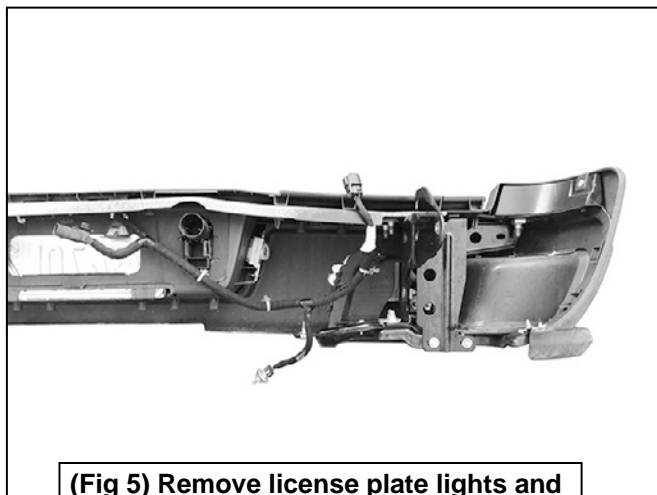


(Fig 3) Reuse the factory hex bolts to attach Mounting Bracket to outside of frame

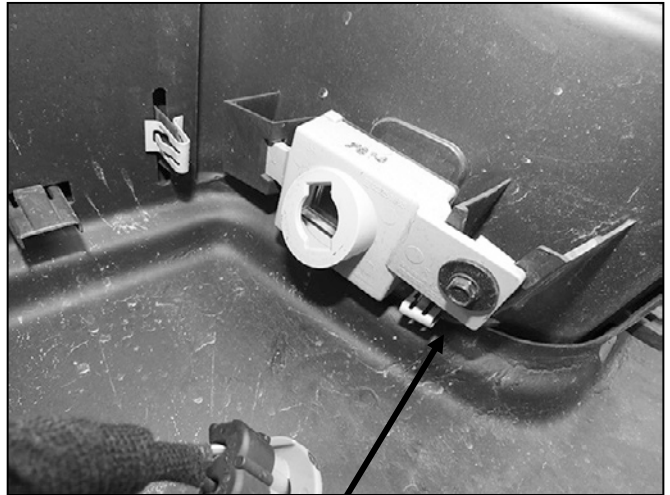
Reuse the factory hex bolts to attach Mounting Bracket to outside of frame



(Fig 4) Passenger/right Bracket installed

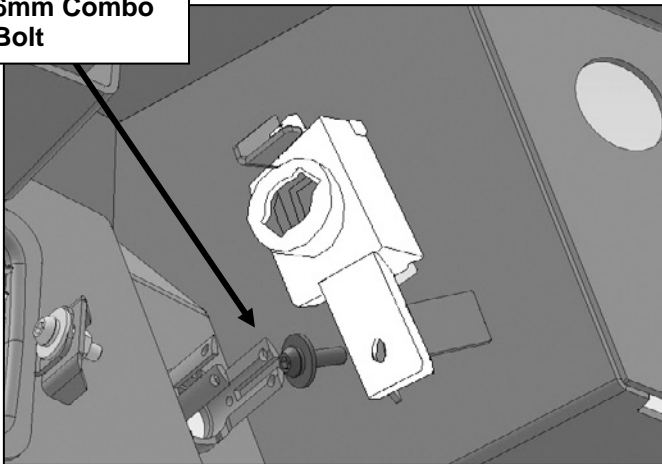


(Fig 5) Remove license plate lights and wiring harness from factory bumper

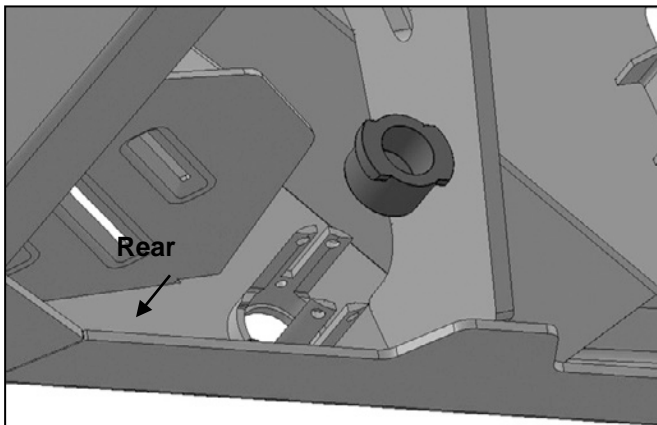


(Fig 6) Remove license plate lights and wiring harness from factory bumper

6mm Combo Bolt

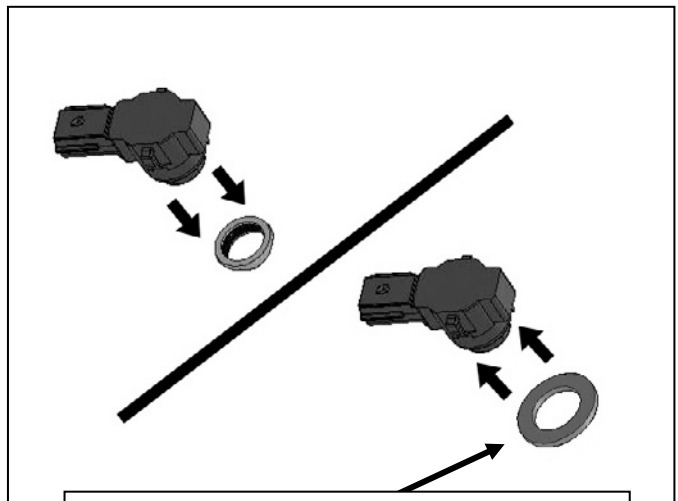


(Fig 7) Attach license plate lights to LD-2 bumper



(Fig 8) Push Plug into mounting sleeve. Use 4mm Screws to lock Plug in place.

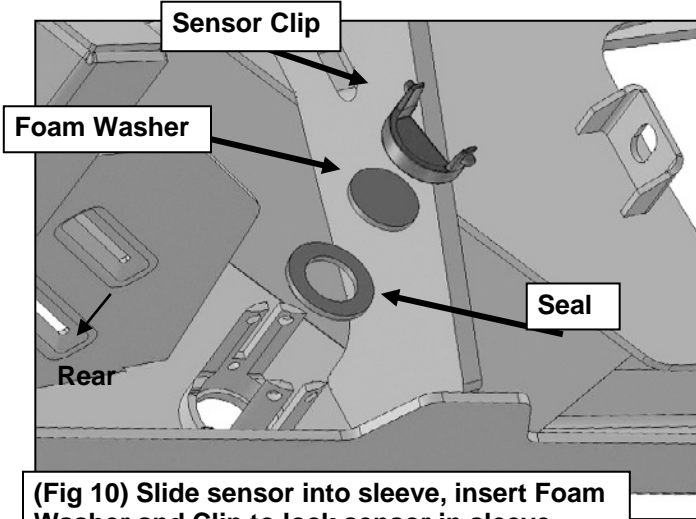
NOTE: Sensor plugs fit snug in sockets. Use of the 4mm Screws is optional. 4mm Screws can also be used to apply slight pressure to lock the sensors in place or to aim the sensor. Tighten both screws evenly until they touch the sensor body only. Do not overtighten screws or damage to sensors will result.



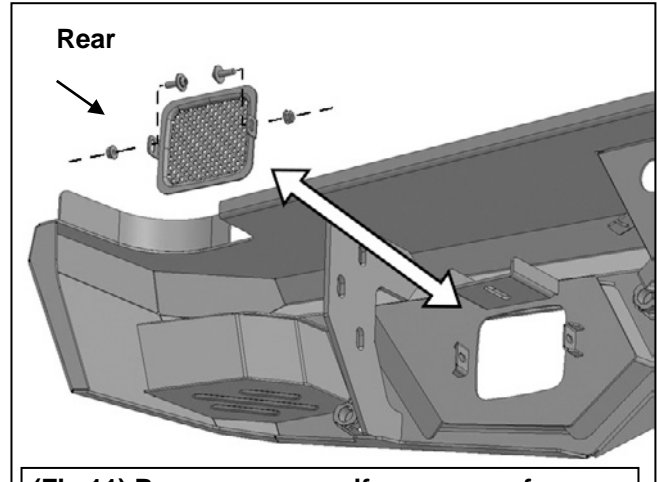
(Fig 9) Remove silicone seal from sensor. Slide large Seal over end of sensor (arrow)



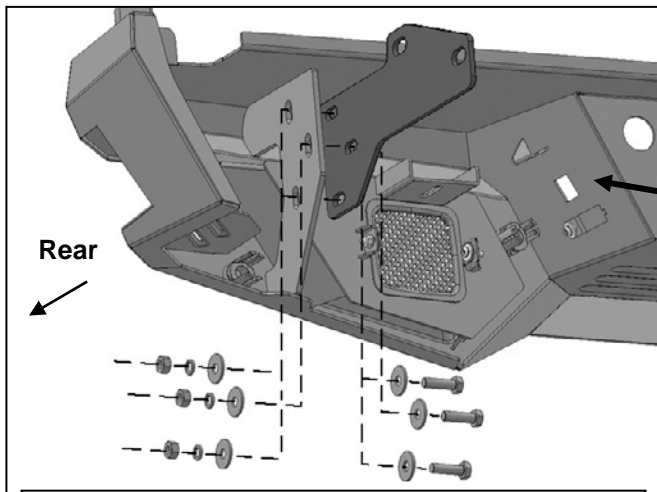
WARNING! Do not crawl under bumper unless the bumper is properly supported on blocks or stands or the bumper may fall.



(Fig 10) Slide sensor into sleeve, insert Foam Washer and Clip to lock sensor in sleeve

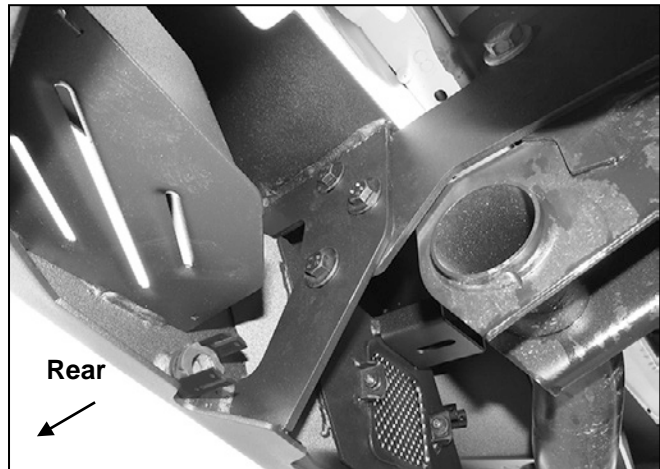


(Fig 11) Remove screens if necessary, for additional clearance around or access to lights

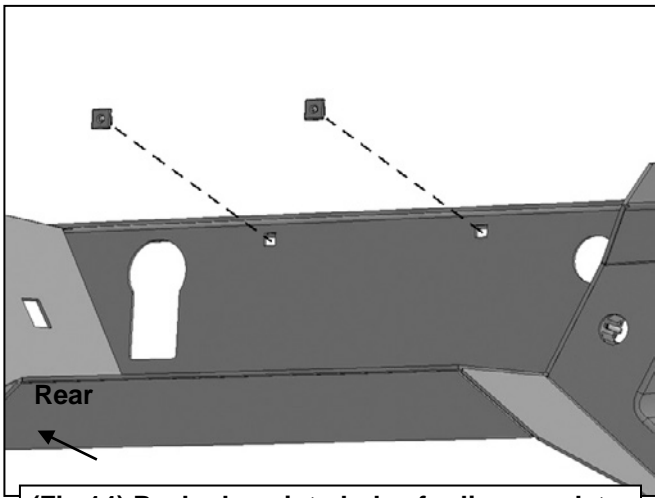


- (3) 10mm x 35mm Hex Bolts
- (6) 10mm Flat Washers
- (3) 10mm Lock Washers
- (3) 10mm Hex Nuts

(Fig 12) Attach Bumper to outside of Mounting Brackets, (passenger/right side pictured)



(Fig 13) Attach Bumper to outside of Mounting Brackets, (passenger/right side pictured)



(Fig 14) Push plugs into holes for license plate

