

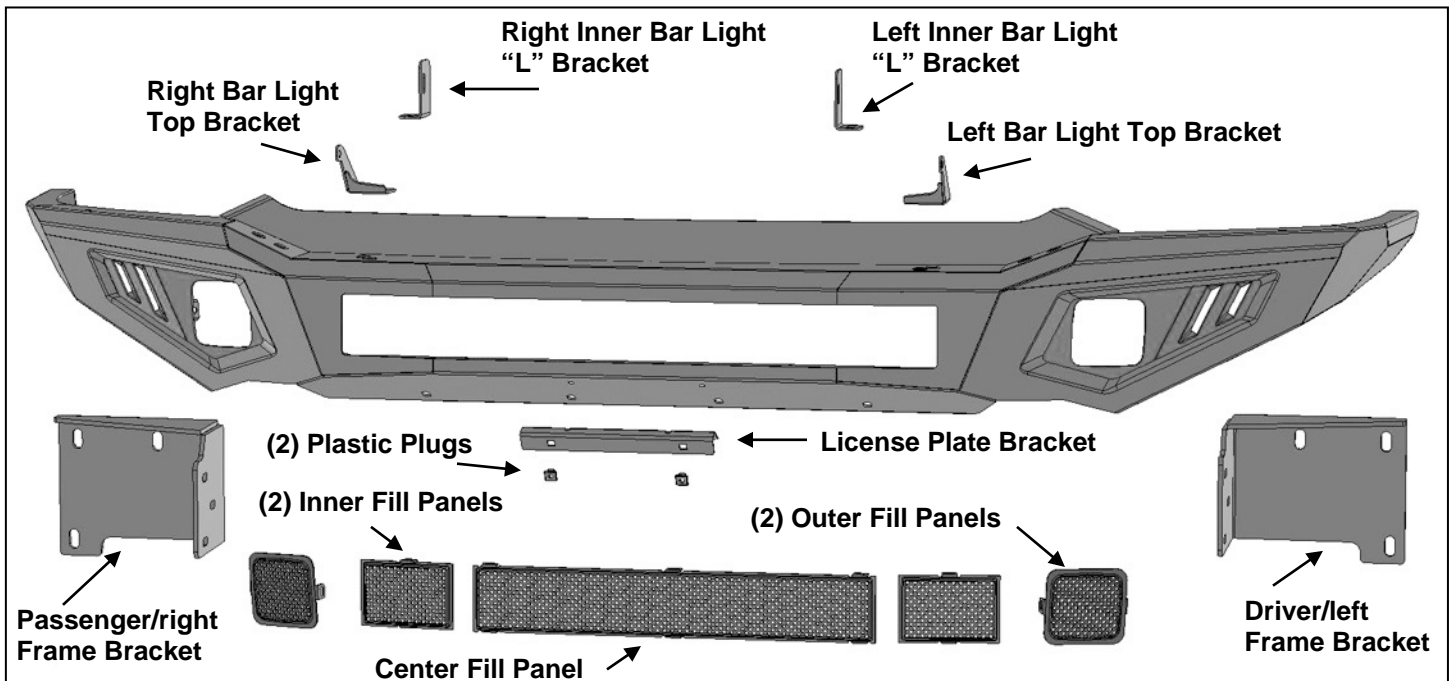


AB2215

Endurance Truck Front Bumper for 19-20 DODGE RAM 1500
(Excl. Ram 1500 2019 Classic, Rebel Trim and 2020 Diesel Models)

PARTS LIST:

1	LD2 Front Bumper	12	10mm x 27mm x 3mm Flat Washers
1	Driver/Left Mounting Bracket	6	10mm Lock Washers
1	Passenger/Right Mounting Bracket	6	10-1.5mm Hex Nuts
1	Driver/Left LED Light Mount	4	8-1.25mm x 25mm Button Head Bolts
1	Passenger/Right LED Light Mount	2	8-1.25mm x 25mm Hex Bolts
1	Driver/Left Bumper Top Light Mount	2	8-1.25mm x 16mm Hex Bolts
1	Passenger/Right Bumper Top Light Mount	14	8mm x 24mm x 2mm Flat Washers
1	Long Center Mesh Plate	8	8mm Lock Washers
2	Short Inner Mesh Plates	6	8mm Hex Nuts
2	Outer Mesh Plates	2	6-1.0mm x 20mm Button Head Bolts
1	License Plate Bracket	2	6-1.0mm x 16mm Hex Bolts
2	License Plate Plugs	6	6mm x 18mm x 1.6mm Flat Washers
6	12-1.75mm x 35mm Hex Bolts	2	6mm Lock Nuts
12	12mm x 32mm x 3mm Flat Washers	14	6-1.0mm x 20mm Combo Bolts
6	12mm Lock Washers	14	6mm Flange Hex Nuts
6	12-1.75mm Hex Nuts	1	5mm Wrench
6	10-1.5mm x 35mm Hex Bolts	1	4mm Wrench



PROCEDURE:



REMOVE CONTENTS FROM BOX. VERIFY ALL PARTS ARE PRESENT. READ INSTRUCTIONS CAREFULLY BEFORE STARTING INSTALLATION. BUMPER IS HEAVY, ASSISTANCE IS HIGHLY RECOMMENDED TO AVOID POSSIBLE INJURY OR DAMAGE TO THE VEHICLE.

1. Remove the license plate and bracket. Starting underneath the front bumper, locate and unplug the main wire harness on the driver/left side of the bumper, **(Figure 2)**.
2. On the driver/left side of the bumper, remove the (2) factory bolts attaching the side of the bumper cover to the side of the frame, **(Figure 1)**. Repeat this **Step** for the passenger/right side.
3. Place blocks or jack stands under the bumper to support it during mounting bolt removal. Once the bumper has been safely supported, remove the (3) factory flange nuts attaching each bumper bracket to the end of the frame, **(Figures 2—4)**. **WARNING!** Assistance is required to hold bumper in place during hardware removal to prevent the bumper from falling. Slide the bumper assembly off of the end of the frame and place bumper on stable clean flat surface.
4. Carefully unwrap the Bumper assembly. Determine if accessory lights, (not included), or Screen Fill Panels will be installed at this time. **IMPORTANT:** It may be easier to install Center Fill Panels and/or lights before installing Bumper.

Screen Fill Panel Installation (do not install fill panels if installing lights).

- a. Select desired Screen Fill Panels. **NOTE:** Outer Panels are square with rounded corners, Inner panels are rectangular with sharp corners, **(Figure 5)**.
- b. Attach Screen Fill Panels as needed with the included 6mm Button Head Combo Bolts and 6mm Flange Nuts, **(Figure 5)**. Fully tighten Fill Panel hardware at this time. Repeat to install all Panels as desired.

Inner center LED bar style light installation (light not included).

- a. Select the passenger/right “L” Light Bar Bracket. **NOTE:** “L” Brackets are offset to adjust for different widths of LED Bar Lights and can be installed on either side as needed.
- b. Attach the L Bracket to the slot on the back of the Bumper with (1) 8mm x 25mm Hex Bolt, (2) 8mm Flat Washers, (1) 8mm Lock Washer and (1) 8mm Hex Nut, **(Figure 6)**. Repeat this Step to install the remaining “L” Bracket on the other side of the Bumper. **IMPORTANT:** The Bumper features slots designed for 20” and 30” bar style lights. Attach the Brackets to the correct slots in the Bumper. If necessary, hold the light up to the slots to help determine correct slots to use and combination of Brackets.
- c. Attach the light to the “L” Brackets with the hardware included with the light or the supplied (2) 8mm x 16mm Hex Bolts, (2) 8mm Lock Washers and (2) 8mm Flat Washers or (2) 6mm x 16mm Hex Bolts, (2) 6mm Lock Washers and (2) 6mm Flat Washers, **(Figures 6 & 7)**. Do not fully tighten hardware at this time.

Top mounted 30” bar style LED light (not included).

- a. Remove the (2) rubber plugs from the passenger/right side mounting holes, **(Figure 8)**.
- b. Select the driver/left Light Bracket. Attach the Bracket to the top of the Bumper with (2) 8mm x 25mm Button Head Bolts, (4) 8mm Flat Washers, (2) 8mm Lock Washers and (2) 8mm Hex Nuts, **(Figure 8)**. Do not tighten hardware at this time.
- c. Repeat previous Steps to attach the passenger/right Bracket.
- d. Select the 30” light, (not included). Attach light to Top Brackets with the hardware included with the light. Adjust the width of the Brackets to the light and fully tighten bracket hardware. **IMPORTANT:** Top Light Brackets are designed to install 30” bar style LED lights with outside length dimensions of 31.653” (804mm) to 32.44” (824mm) only, **(Figure 9)**. Fully tighten top light hardware once adjusted.

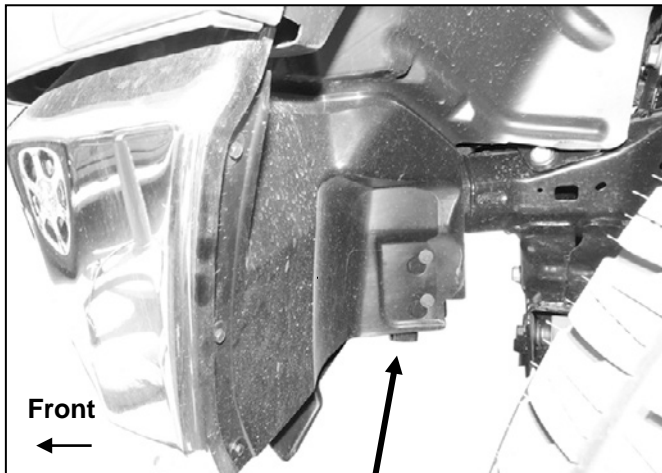
Outer LED cube style light installation (light not included).

- a. Attach lights to mounting tabs on back of each end of the Bumper, **(Figure 7)**.
5. Select the Passenger/Right Frame Bracket and move to the frame mounting location, **(Figure 4)**. Attach the Bracket to the end of the frame with (3) 12mm x 35mm Hex Bolts, (6) 12mm Flat Washers, (3) 12mm Lock Washers and (3) 12mm Hex Nuts, **(Figures 10 & 11)**. Repeat Step to install the Driver/left Frame Bracket.

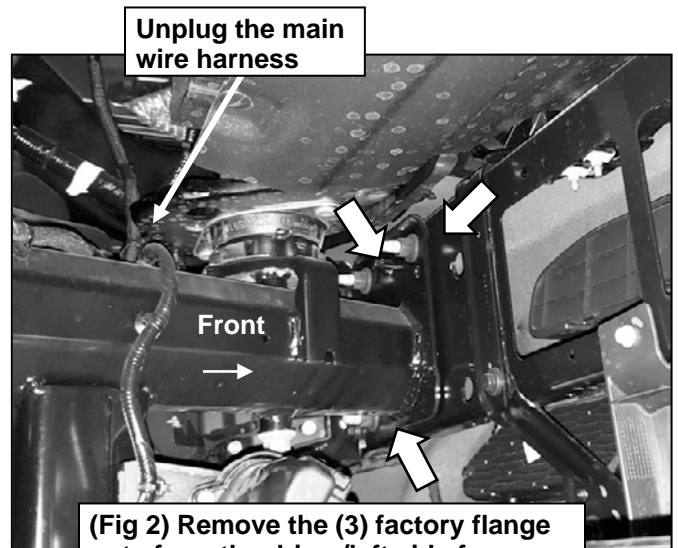


6. With assistance, position the Bumper Assembly up to the inside of the Frame Brackets. Temporarily support the weight of the Bumper. **WARNING:** To avoid possible injury or damage to the vehicle, do not proceed until the Bumper is fully and safely supported.
7. Attach the Bumper to the Frame Brackets with (6) 10mm x 35mm Hex Bolts, (12) 10mm Flat Washers, (6) 10mm Lock Washers and (6) 10mm Hex Nuts, **(Figures 12 & 13)**. Do not fully tighten at this time.
8. Level and adjust the bumper and fully tighten all hardware.
9. Plug the bumper wiring harness into the main wire harness on the driver/left side of the vehicle.
10. If front license plate is required, attach the License Plate Bracket to the holes in the bumper with the included (2) 6mm x 20mm Button Head Bolts, (4) 6mm x 18mm Large Flat Washers and (2) 6mm Nylon Lock Nuts. Insert (2) Plastic Plugs into the square holes in the Bracket. Reuse the factory screws to attach the license plate to the plastic plugs, **(Figure 14)**.
11. Do periodic inspections to the installation to make sure that all hardware is secure and tight.

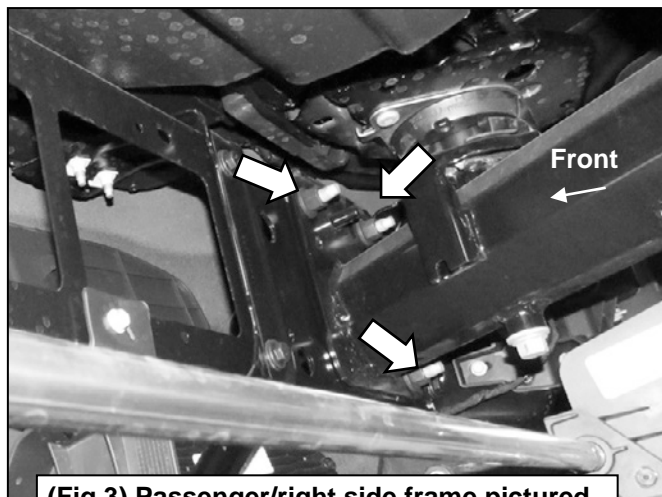
To protect your investment, wax this product after installing. Regular waxing is recommended to add a protective layer over the finish. Do not use any type of polish or wax that may contain abrasives that could damage the finish. Mild soap may be used to clean the Bumper assembly.



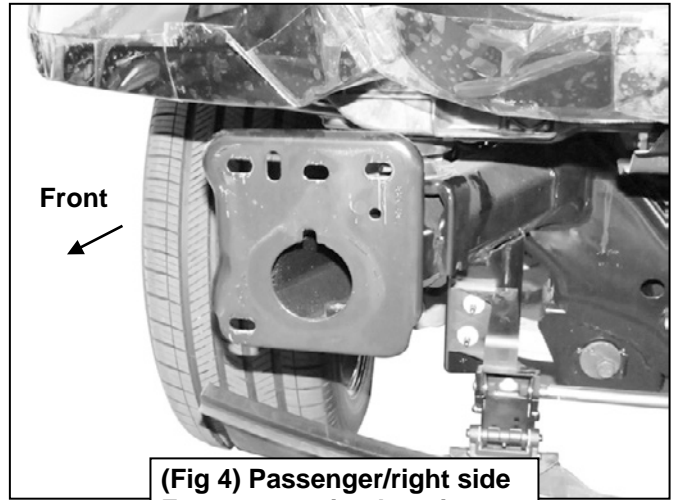
(Fig 1) Remove the (2) factory bolts attaching the side of the bumper to the frame (Driver/left side pictured)



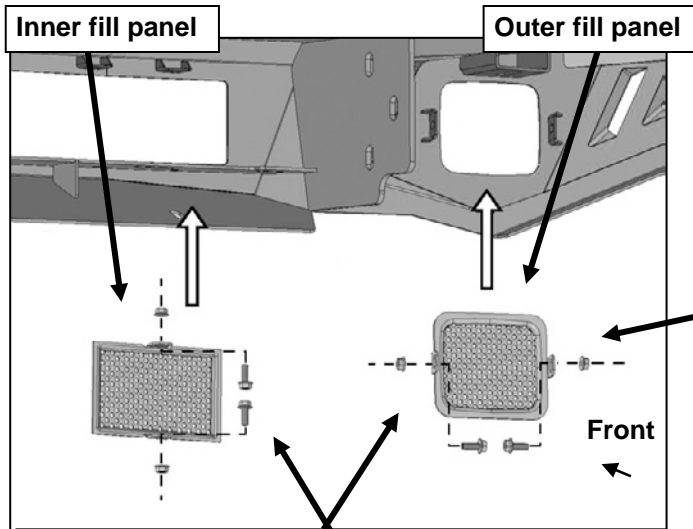
(Fig 2) Remove the (3) factory flange nuts from the driver/left side frame



(Fig 3) Passenger/right side frame pictured

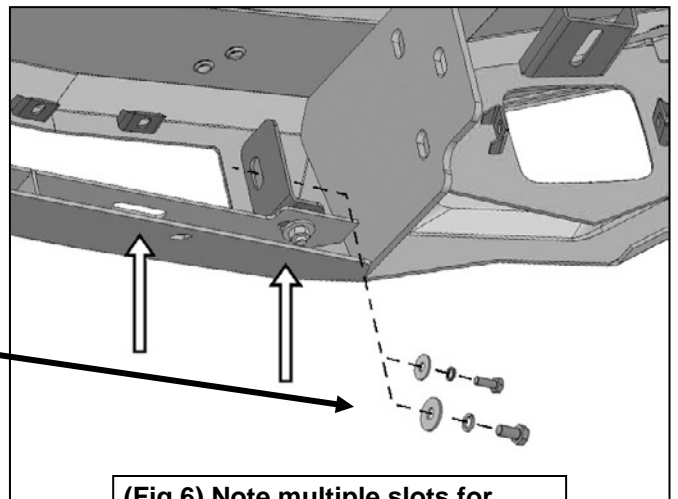


(Fig 4) Passenger/right side Frame mounting location



(Fig 5) Attach Mesh Fill Panels as desired to fill unused openings for lights (lights not included)

6mm Button Head Combo Bolts
6mm Flange Hex Nuts

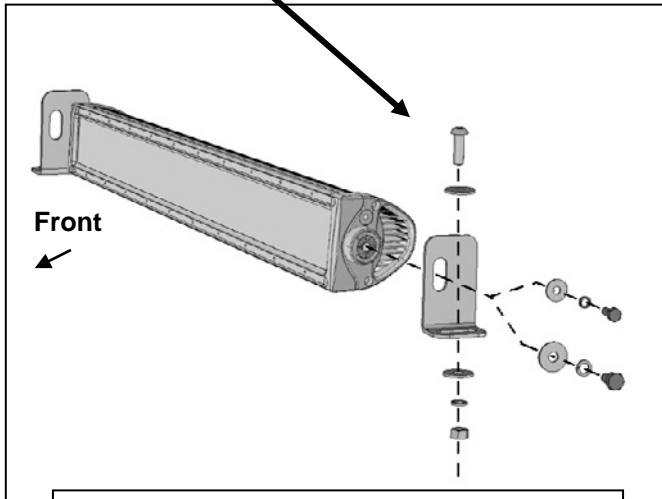


(Fig 6) Note multiple slots for different widths of lights (arrows)

6mm x 16mm Hex Bolt
6mm Lock Washer
6mm Flat Washer
Or
8mm x 16mm Hex Bolt
8mm Lock Washer
8mm Flat Washer



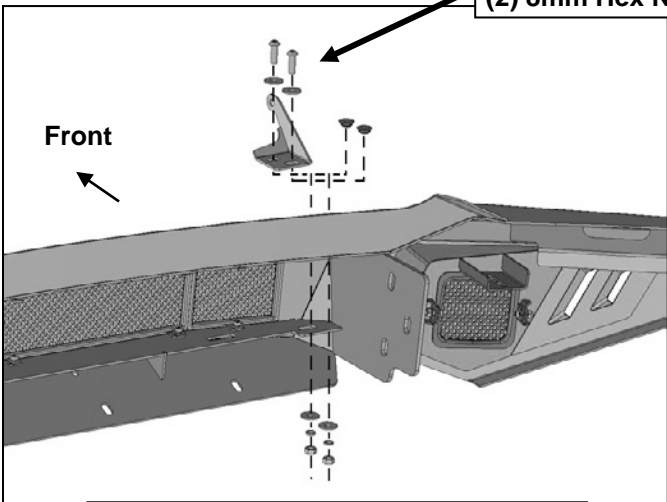
8mm x 25mm Button Head Bolt
 (2) 8mm Flat Washers
 8mm Lock Washer
 8mm Hex Nut



6mm x 16mm Hex Bolt
 6mm Lock Washer
 6mm Flat Washer
 Or
 8mm x 16mm Hex Bolt
 8mm Lock Washer
 8mm Flat Washer

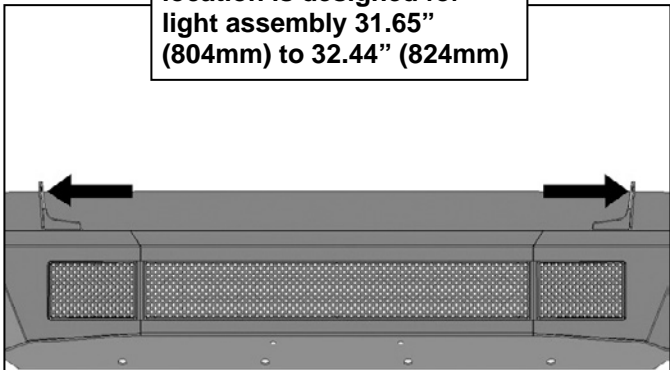
(Fig 7) Bracket illustration is a suggestion only. Brackets are offset to allow adjustment for all widths of lights

(2) 8mm x 25mm Button Head Bolts
 (4) 8mm Flat Washers
 (2) 8mm Lock Washers
 (2) 8mm Hex Nuts

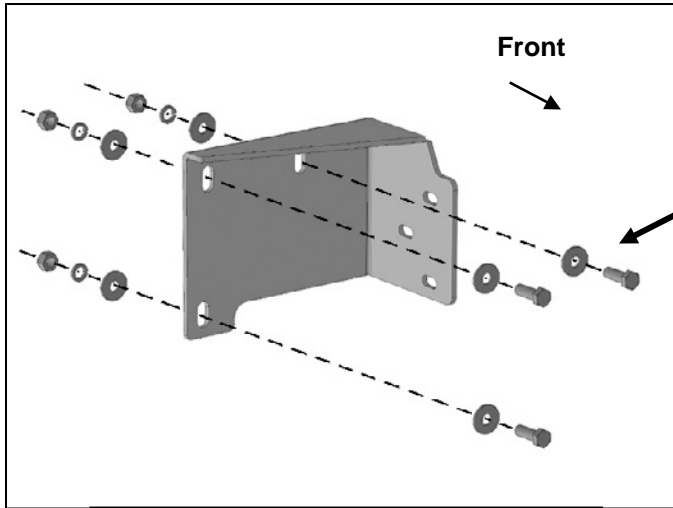


(Fig 8) Remove rubber plugs to attach Top Light Bracket to Bumper

Top Light bracket mounting location is designed for light assembly 31.65" (804mm) to 32.44" (824mm)

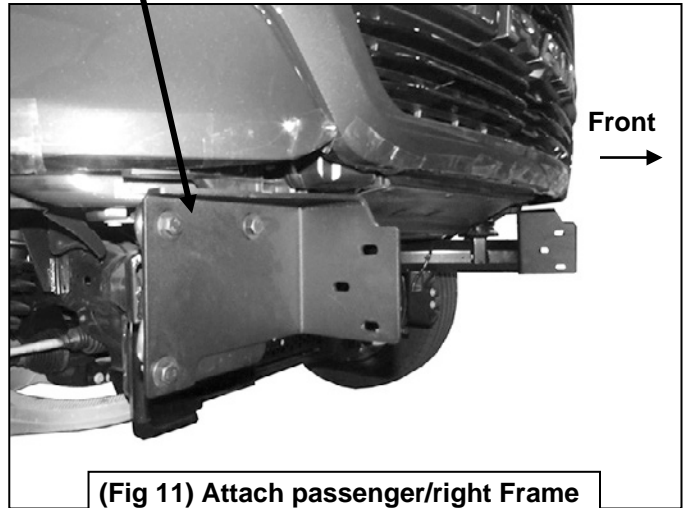


(Fig 9) Measure width of LED light (light only) before installation of Top Light Brackets

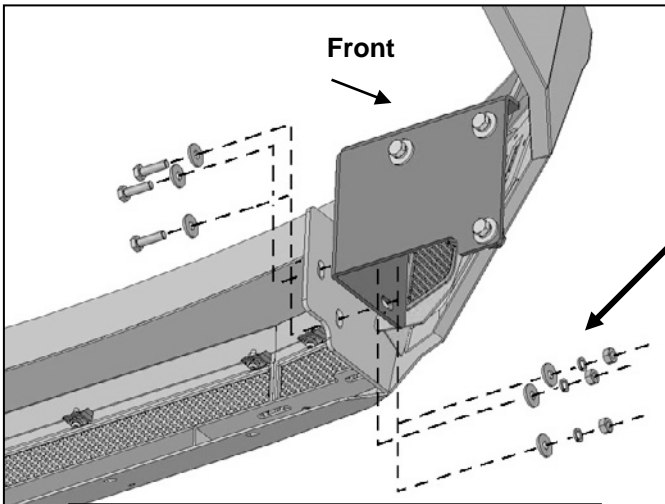


(Fig 10) Attach passenger/right Frame Mounting Bracket to end of frame

- (3) 12mm Hex Bolts
- (6) 12mm Flat Washers
- (3) 12mm Lock Washers
- (3) 12mm Hex Nuts



(Fig 11) Attach passenger/right Frame Mounting Bracket to end of frame



(Fig 12) Attach passenger/right side of Bumper to inside of Frame Brackets

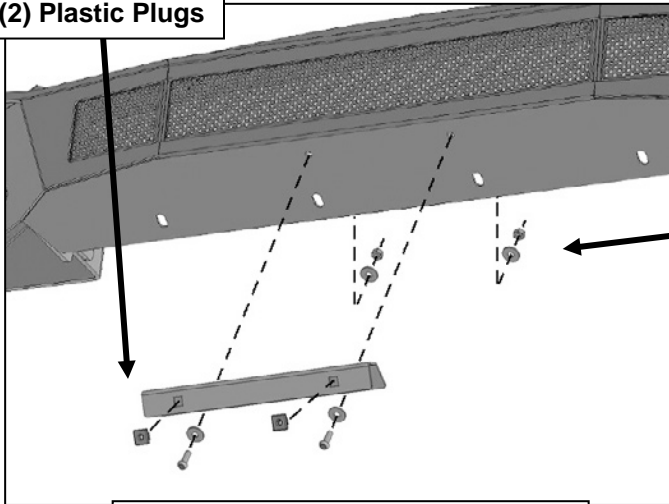
- (3) 10mm Hex Bolts
- (6) 10mm Flat Washers
- (3) 10mm Lock Washers
- (3) 10mm Hex Nuts



(Fig 13) Passenger/right side of Bumper pictured



(2) Plastic Plugs



(2) 6mm Button Head Bolts
(4) 6mm Flat Washers
(2) 6mm Nylon Lock Nuts

(Fig 14) Attach License plate Bracket to the front of the Bumper

