

INSTALLATION INSTRUCTION

Attention:

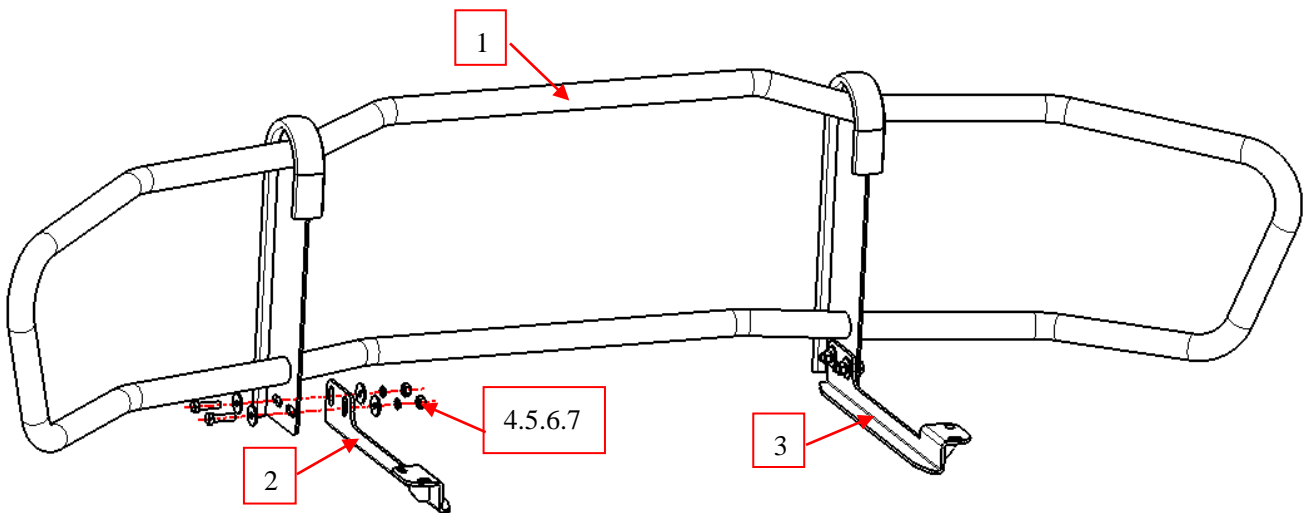
- Please read this installation menu before installing this part. Protect your car properly in case there is any scratch might happen.
- You may need to periodically to re-tighten all hardware for safety use after installation.
- Installation pictures are only for your reference, there might be some differences between pictures and real parts but no affection for your fitting.

PART LIST

| NO. | NAME | QTY | REMARK | NO. | NAME | QTY | REMARK |
|-----|----------------|-----|--------|-----|---------------|-----|-------------|
| 1 | GRILLE GUARD | 1 | | 5 | Spring Washer | 4 | Φ 10 |
| 2 | L-BRACKET | 1 | | 6 | Large Washer | 8 | Φ 10x30x2.5 |
| 3 | R-BRACKET | 1 | | 7 | Hexagon Nut | 4 | M10 |
| 4 | Hex Head Bolts | 4 | M10x35 | 8 | | | |

The installation is the same on the left and right sides

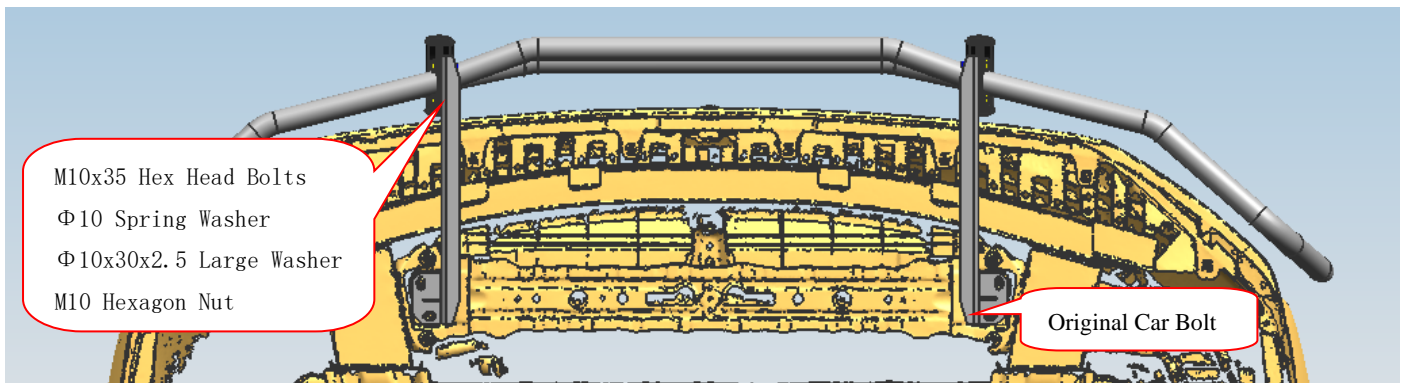
INSTALLATION PICTURE



Step 1: Refer to Part List to check if all hard ware are included.

Step 2: Refer to the following pictures to assemble the side panel and brackets on the two main tubes .

Step 3: Install the bar body on the bracket and adjust the mounting position of the bracket according to the position of the bar body



Step 4: Check if all hard ware are installed and then fasten all to complete the installation.

Disclaimer: Caused due to improper installation initiates or some related problem and losses, are beyond our company's quality assurance.