








# INSTALLATION MANUAL

**PRODUCT NAME:** Rear Bumper for 21+ Ford Bronco

## 1、NOTICE:

- For the convenience of installation, please read the goods manual carefully before installation; When installation, please pay attention to protect your car's surface, and avoid scratches.
- Please check all the accessories connected to the car whether loose or not, and ensure the security. Clean the side bar regular to keep it clean.
- All the pictures in this manual are only for reference, the picture and material object may have different, but the installation method is the same.

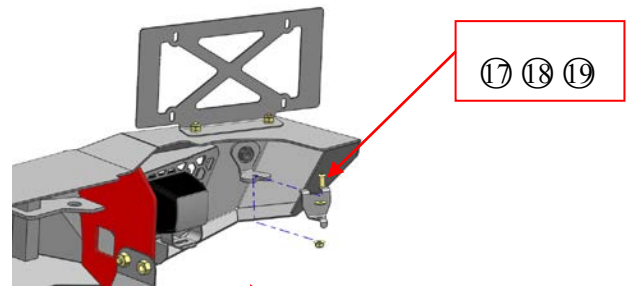
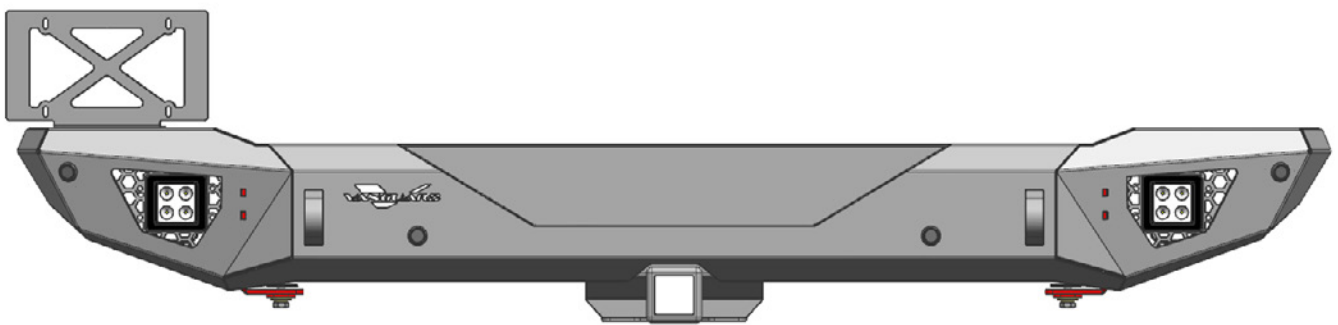
## 2、PART LIST

NO.	Description	QTY	SIZE	NO.	Description	QTY	SIZE
①	Bar	1		⑤	Lamp grill 2	2	
②	Tow hook	1		⑥	Nut for Backing Plate	2	
③	License plate	1		⑦	Backing Plate	2	
④	Radar Bracket	4					
REMARK: The same installation for both bracket							

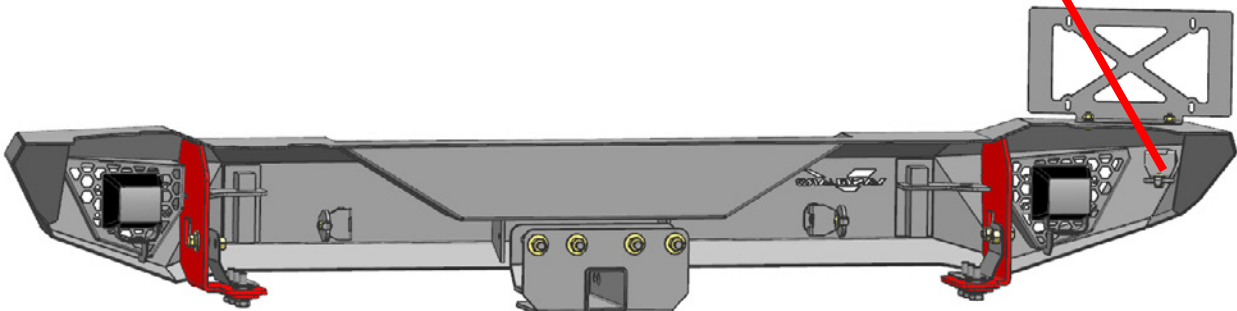
NO.	Description	QTY	SIZE	NO.	Description	QTY	SIZE
A、	Hardware 1	1		⑮	Flat Washer	2	D8*20
⑧	Hex Bolt	4	M12*110	⑯	Hexagon head flange toothed nut	2	M8
⑨	Hex Bolt	2	M12*40	⑰	Hexagon Socket Head Bolt	4	M6*16
⑩	Hex Bolt	6	M12*40*1.25	⑱	Flat Washer	4	D6*18
⑪	Flat Washer	16	D12*30	⑲	Hexagon head flange toothed nut	4	M6

⑫	Spring Washer	12	D12	⑳	Hexagon Socket Head Bolt	8	M6*16
⑬	Hex Nut	4	M12	㉑	Hexagon head flange toothed nut	8	M6
⑭	Hexagon Socket Head Bolt	2	M8*20				

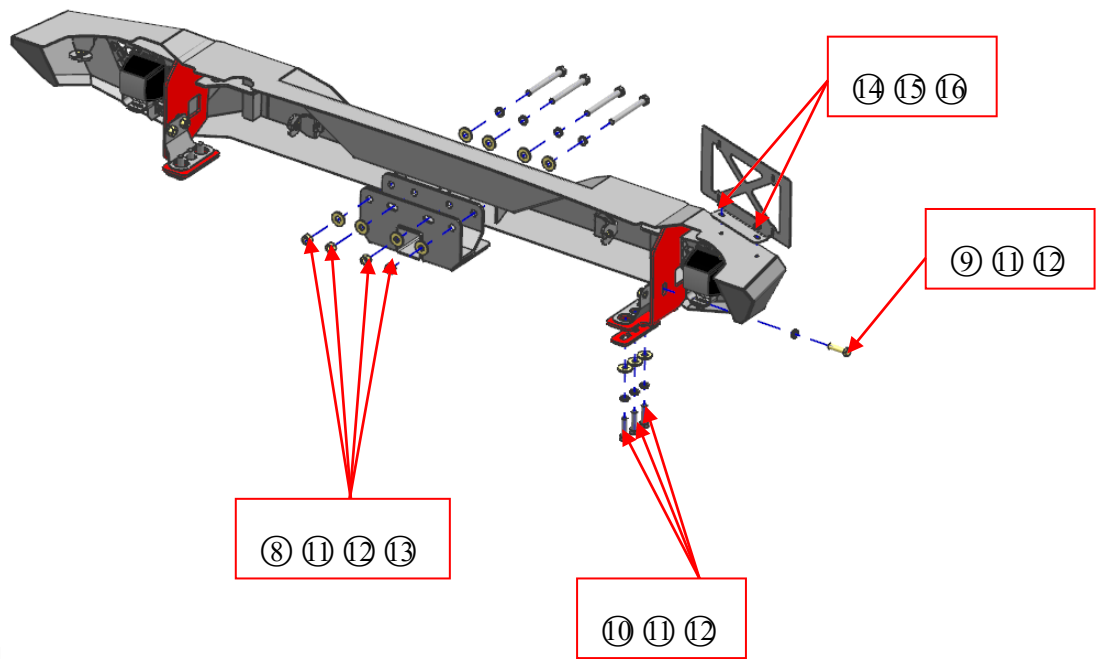
### 3、INSTALLATION MAP



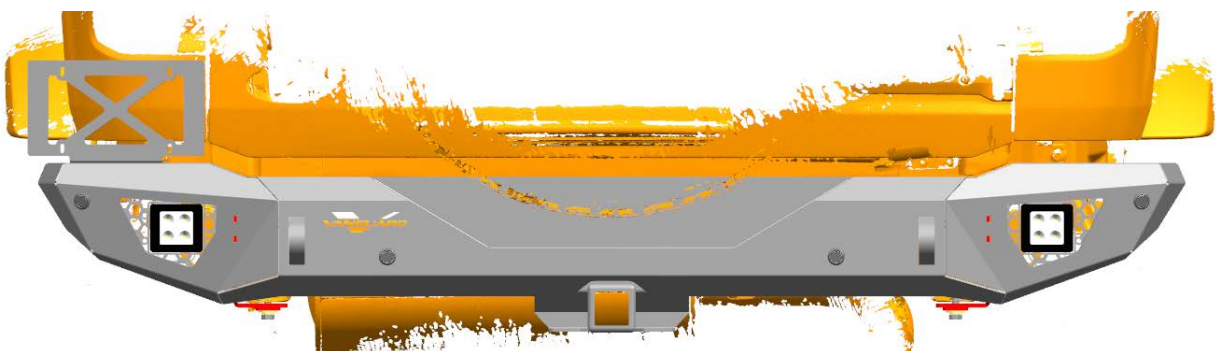
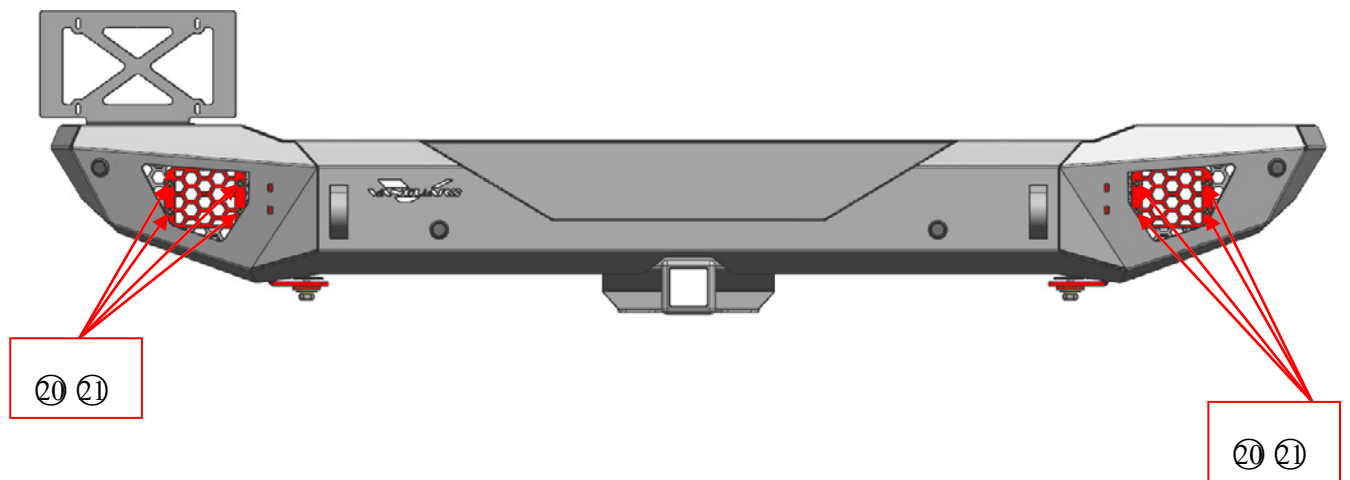
Enlarged picture



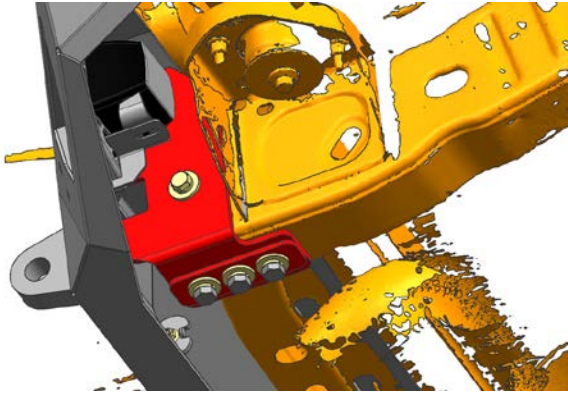
## Fitting Lamp Grill



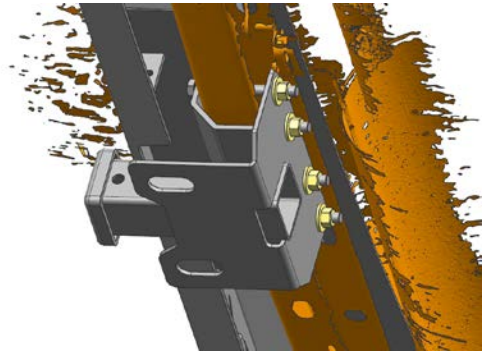
## Fitting Lamp Grill



The bumper fitting with car



Tow hook fitting with car



#### 4、INSTALLATION PROCEDURE:

Step 1: Refer to the parts list and parts diagram and check accessories are complete or not.

Step 2: For the quickly of installation, according with bracket installation map distinguishes left and right, then tight the bracket is finished.

Step 3: Remove the Mud from bottom, fixing the bracket on the bottom.

Step 4: Double check the accessories are complete and tighten.

5、Disclaimer: Caused due to improper installation initiates some related problem and losses, are beyond our company's quality assurance.