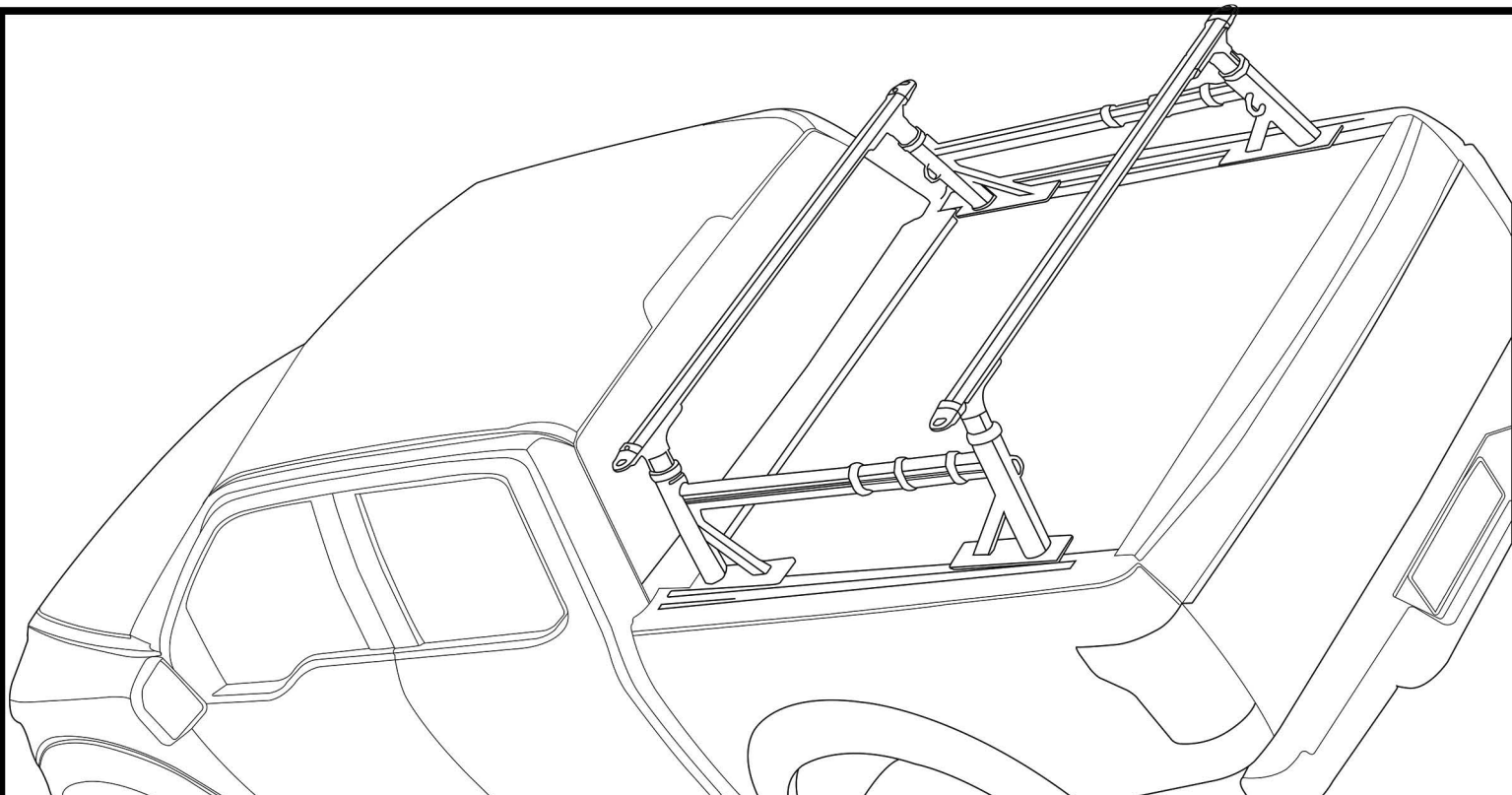
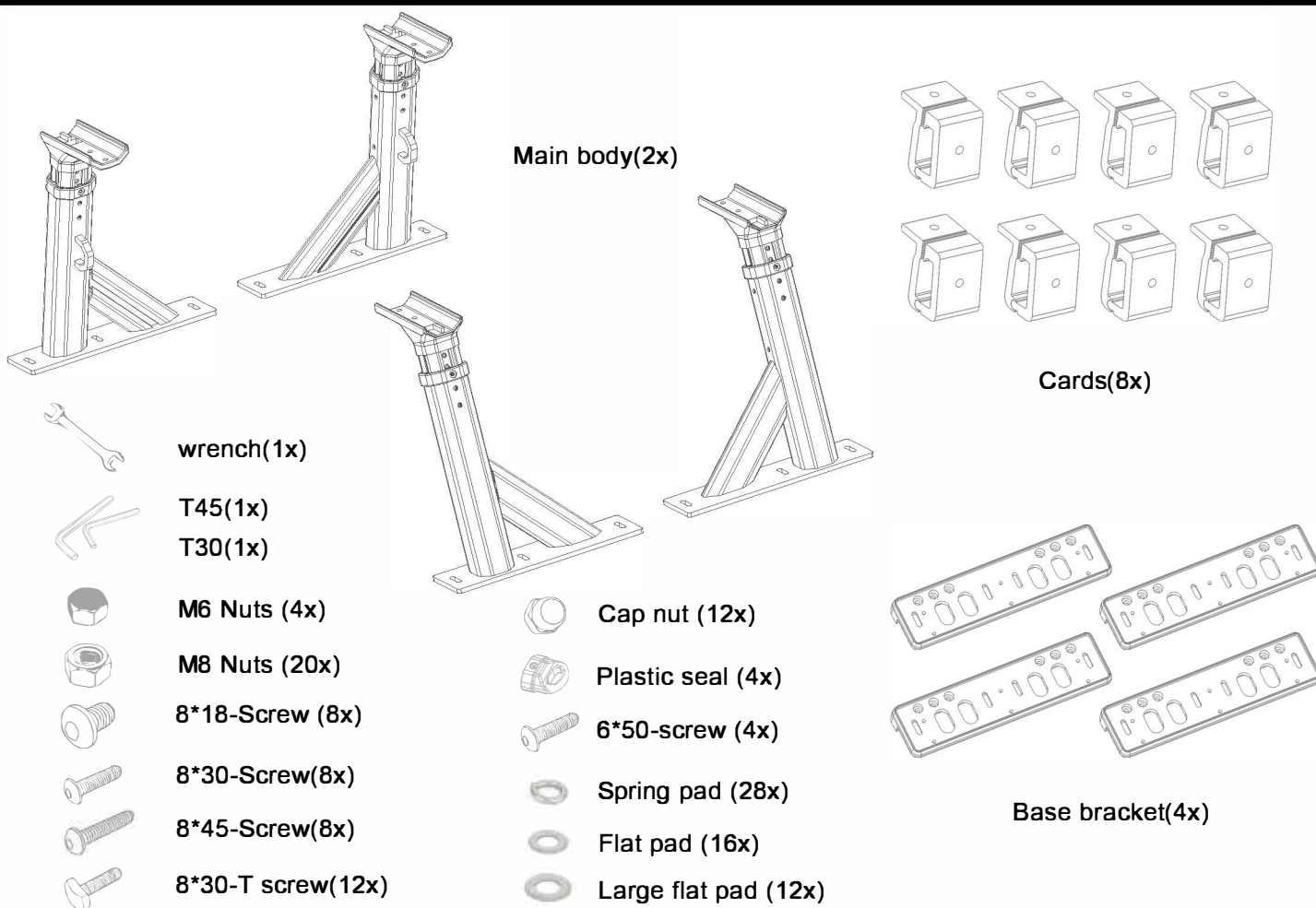
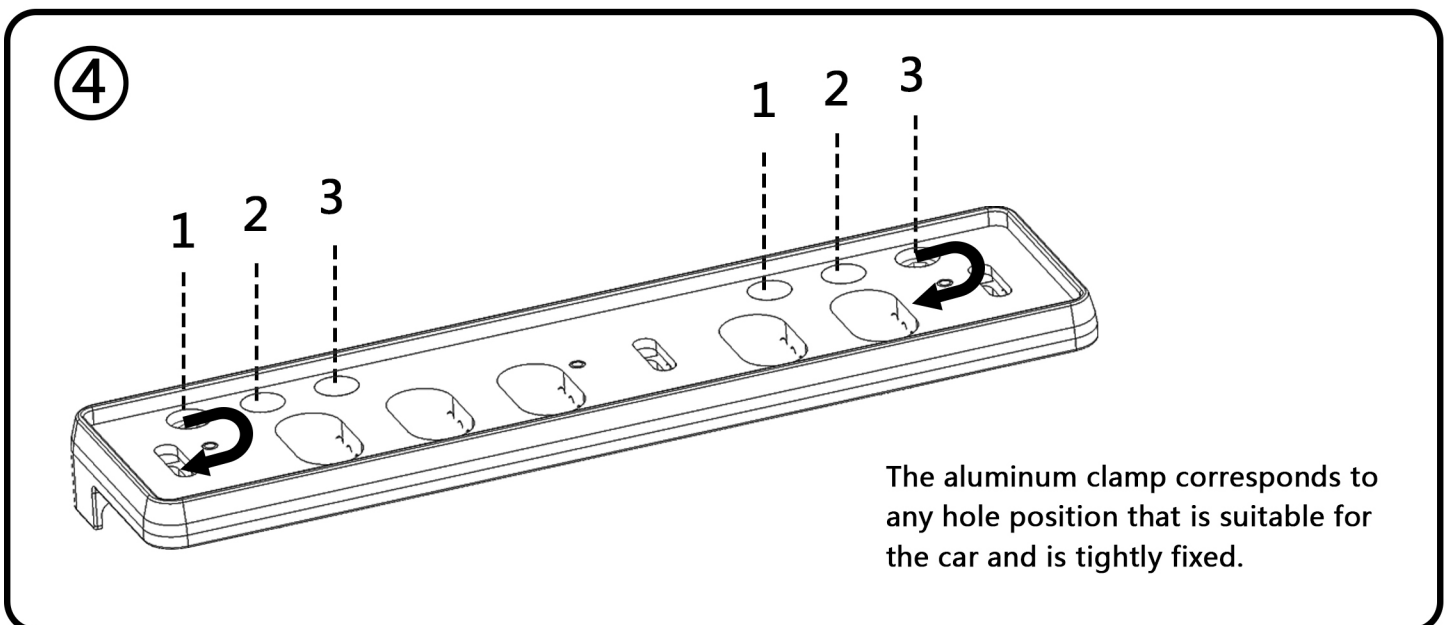
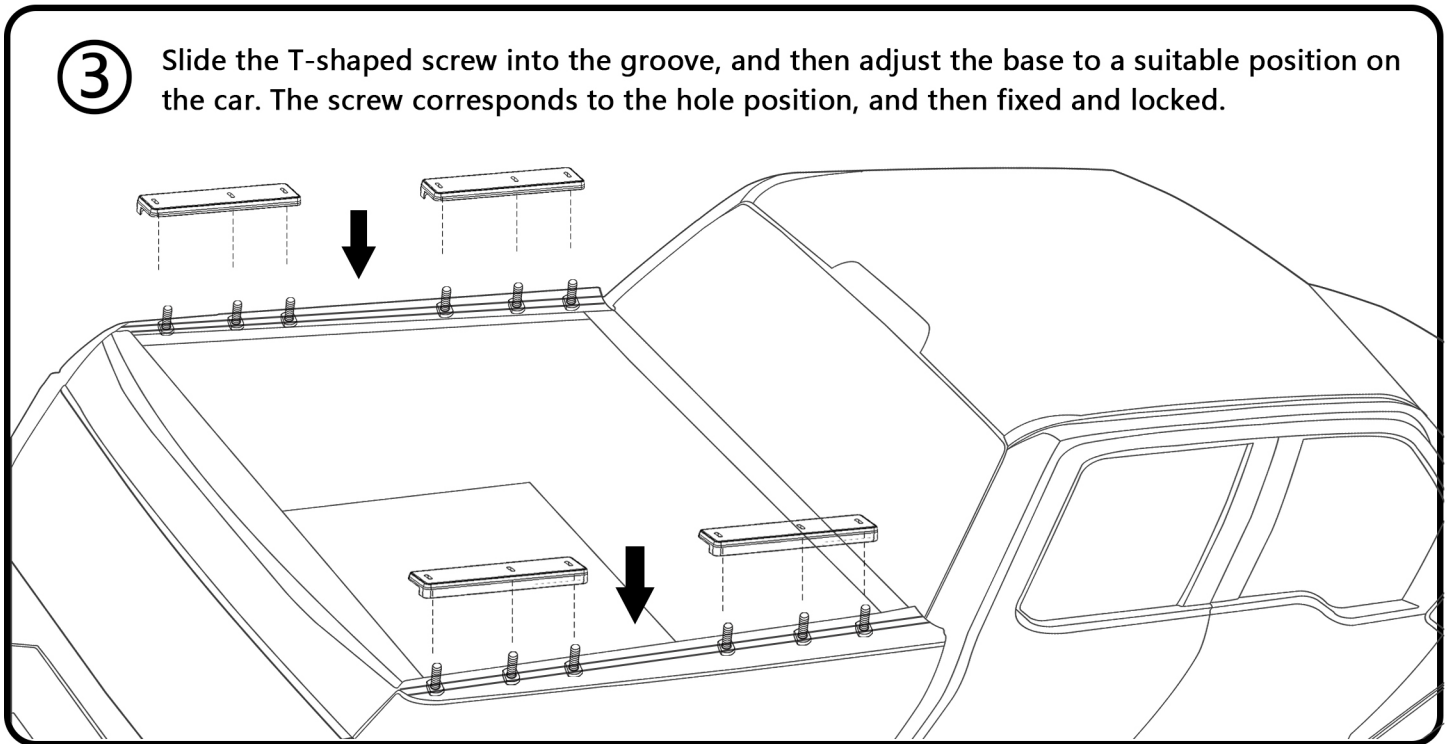
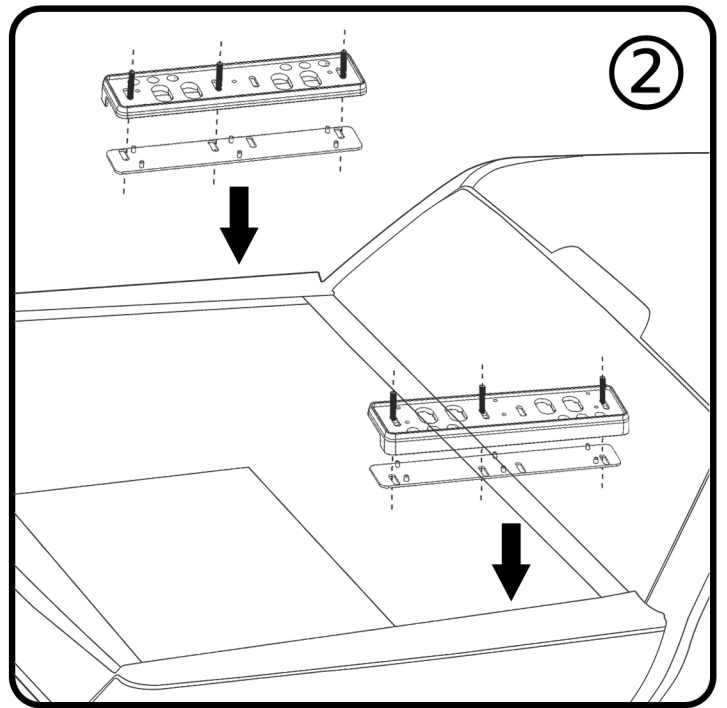
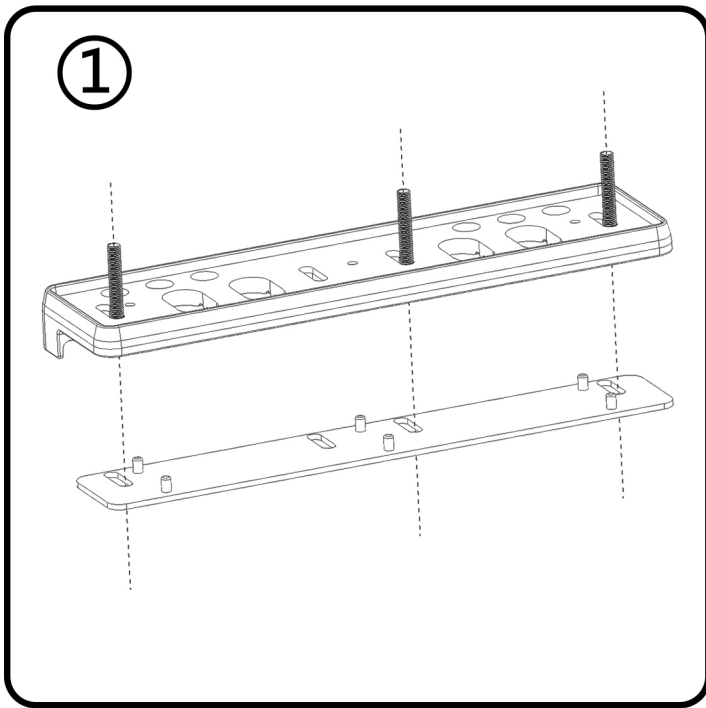


# EXTENDABLE BED RACK



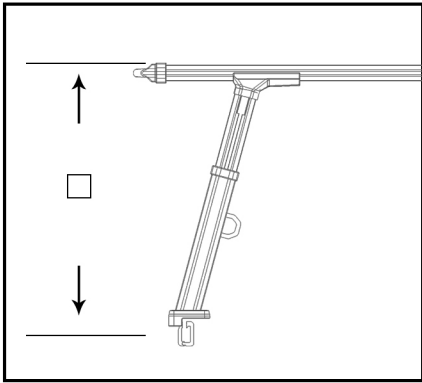
## Contents · Contenu · Contenido



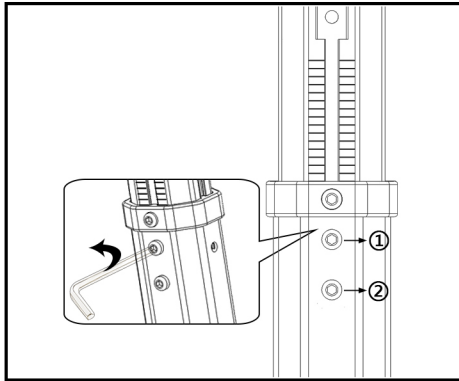


5

Measure the height that needs to be adjusted and adjust to the appropriate height.



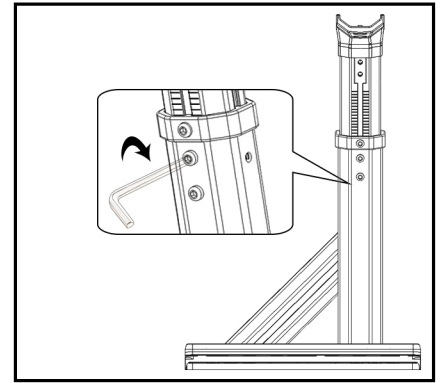
Loosen the screw on the post, adjust to the desired height, and observe the position of the scale value.



Loosen ①② screws properly, do not loosen all screws.

Repeat the previous step, adjust the 4 posts to the same height, and tighten all the screws on the 4 posts with a wrench.

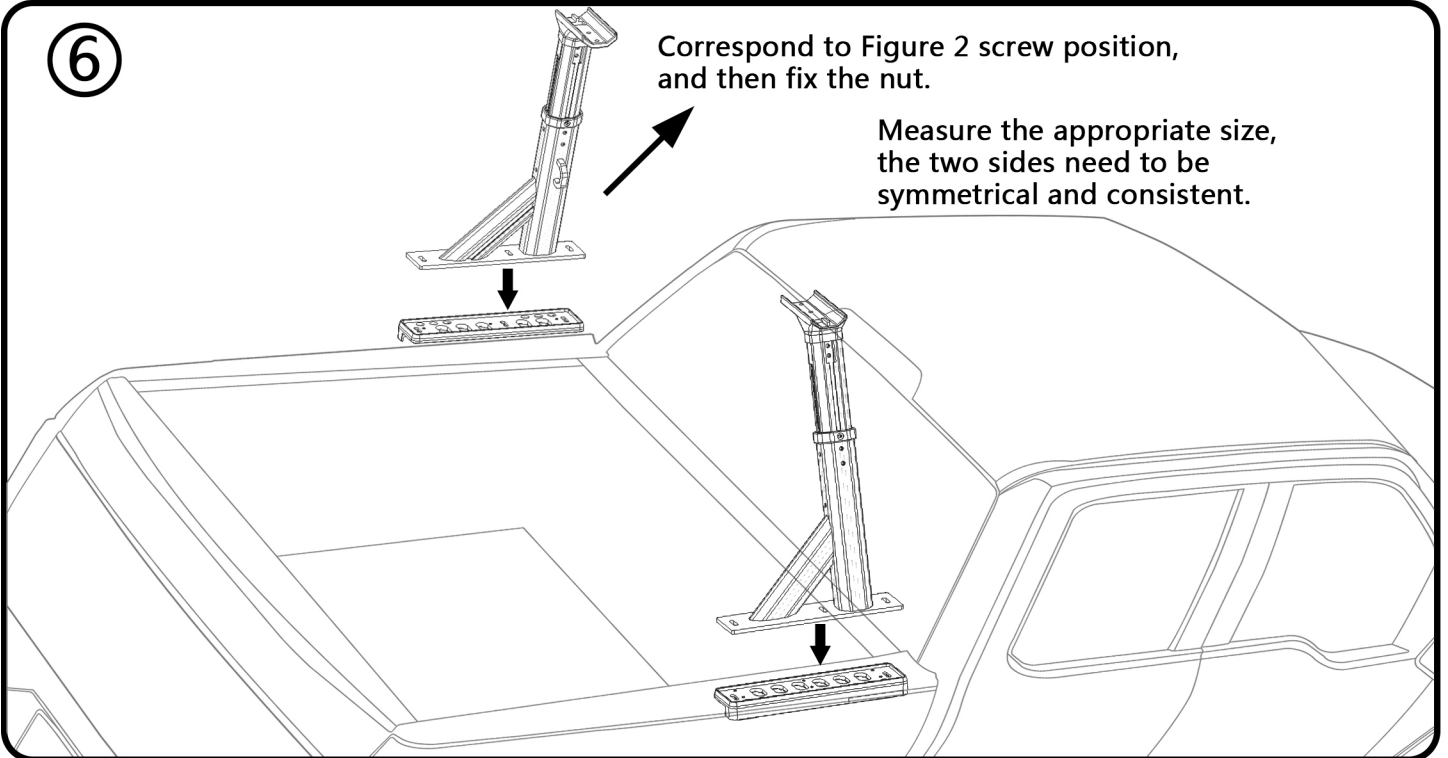
Lock after adjusting properly.



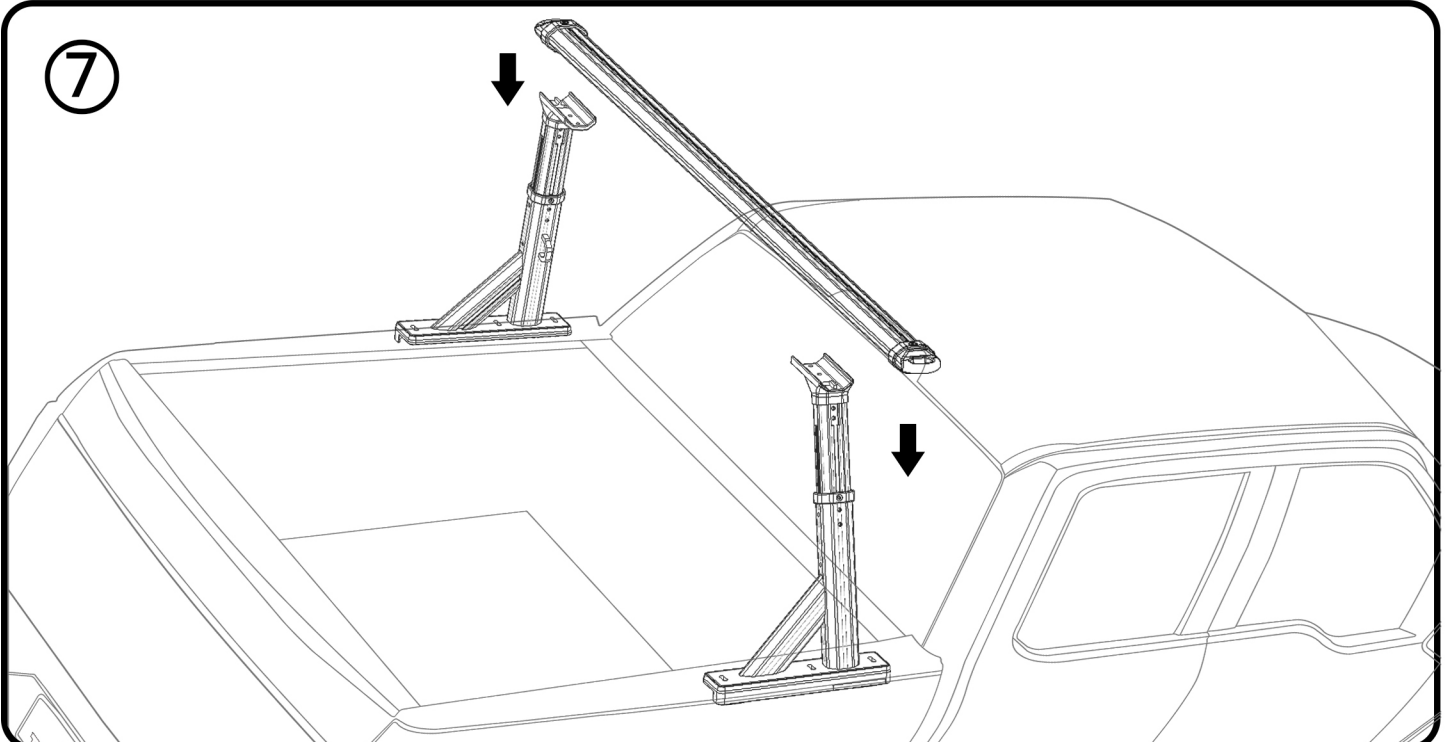
6

Correspond to Figure 2 screw position, and then fix the nut.

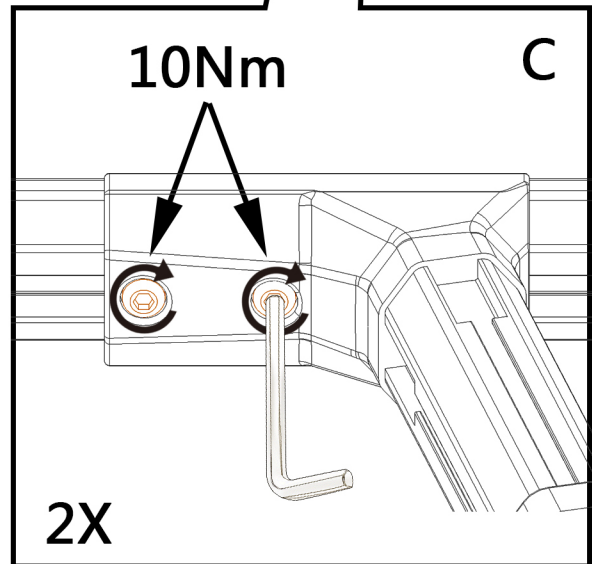
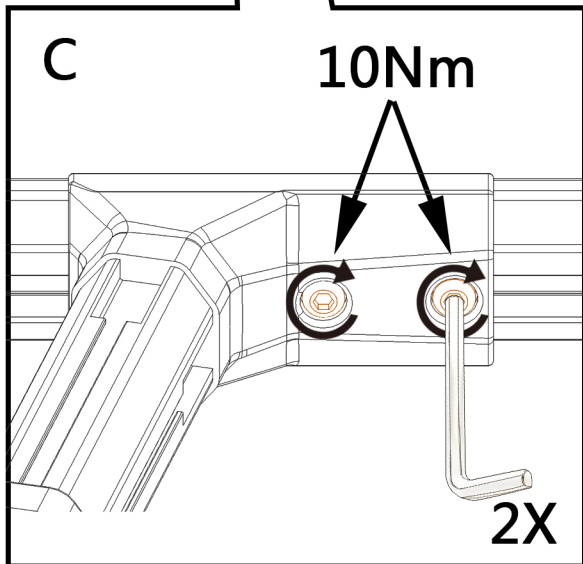
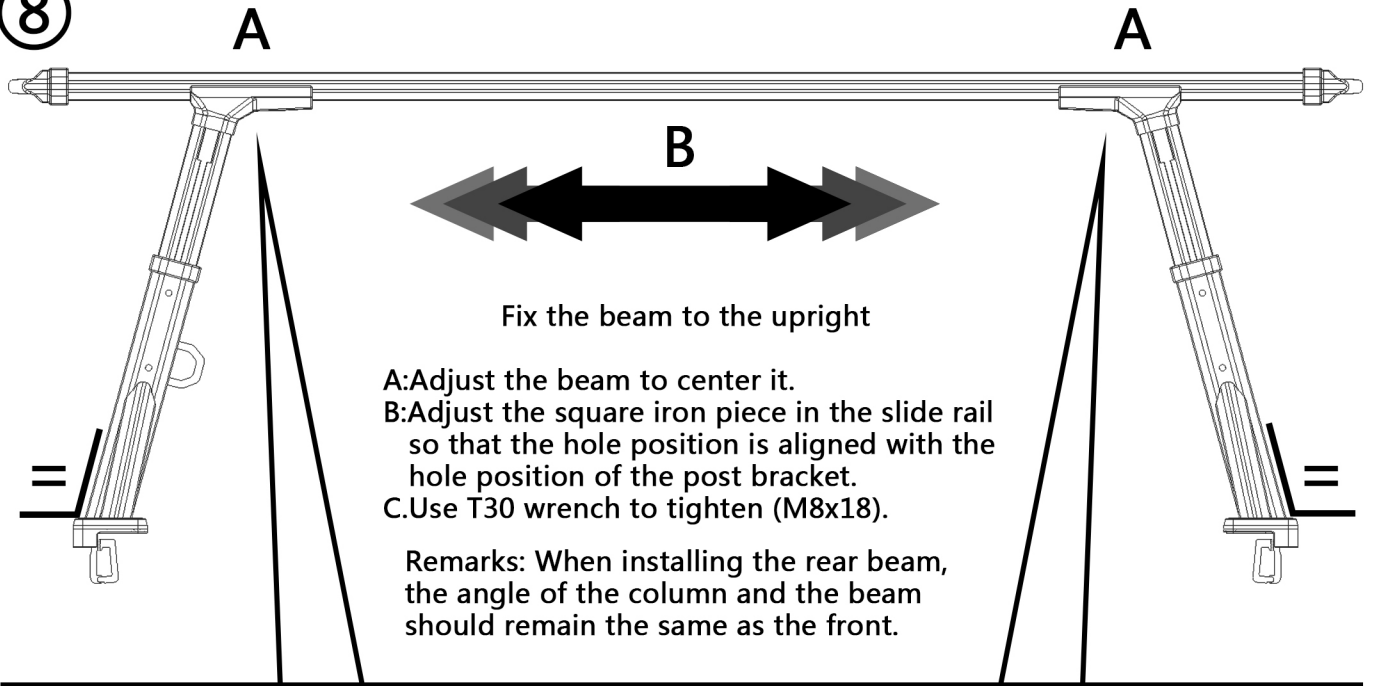
Measure the appropriate size, the two sides need to be symmetrical and consistent.



7

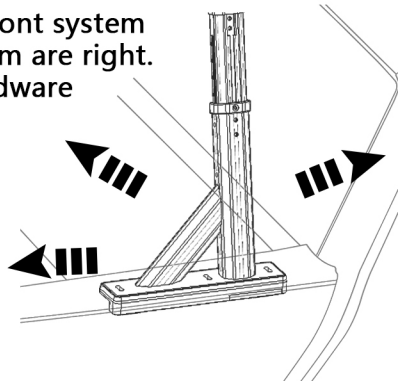


8



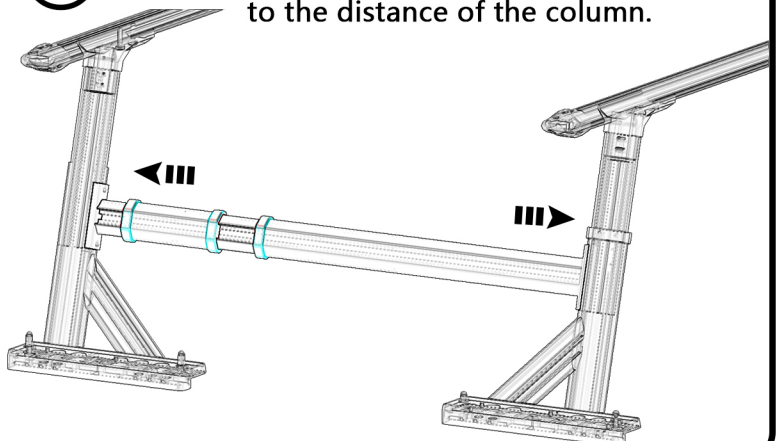
9

Check if the front system and rear system are right. Retighten hardware if necessary.



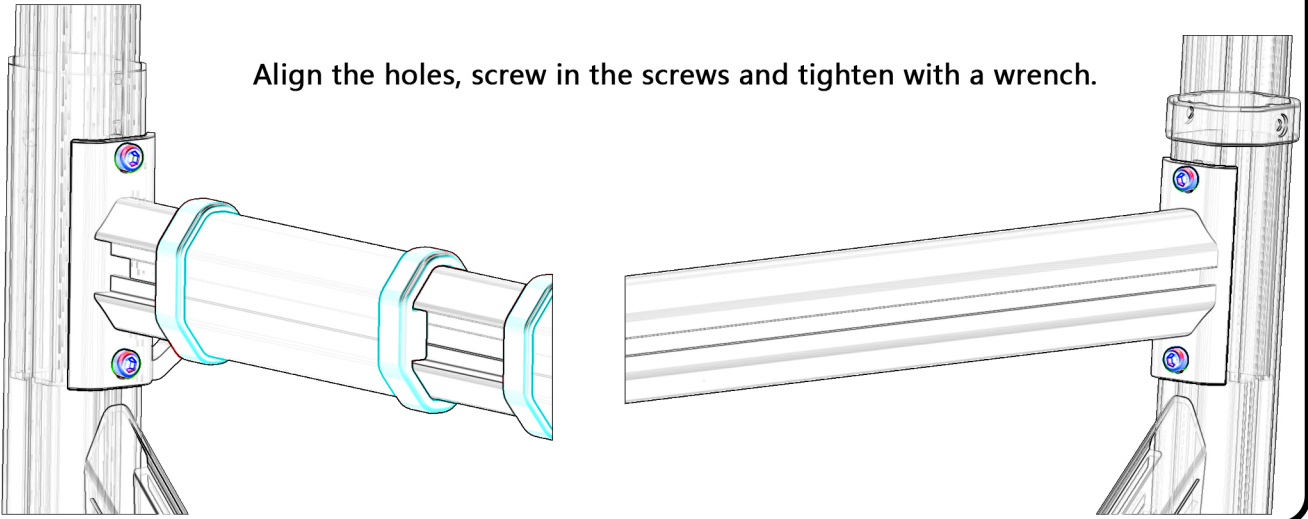
10

Adjust the crossbar size according to the distance of the column.



11

Align the holes, screw in the screws and tighten with a wrench.



12

Installation effect display.

